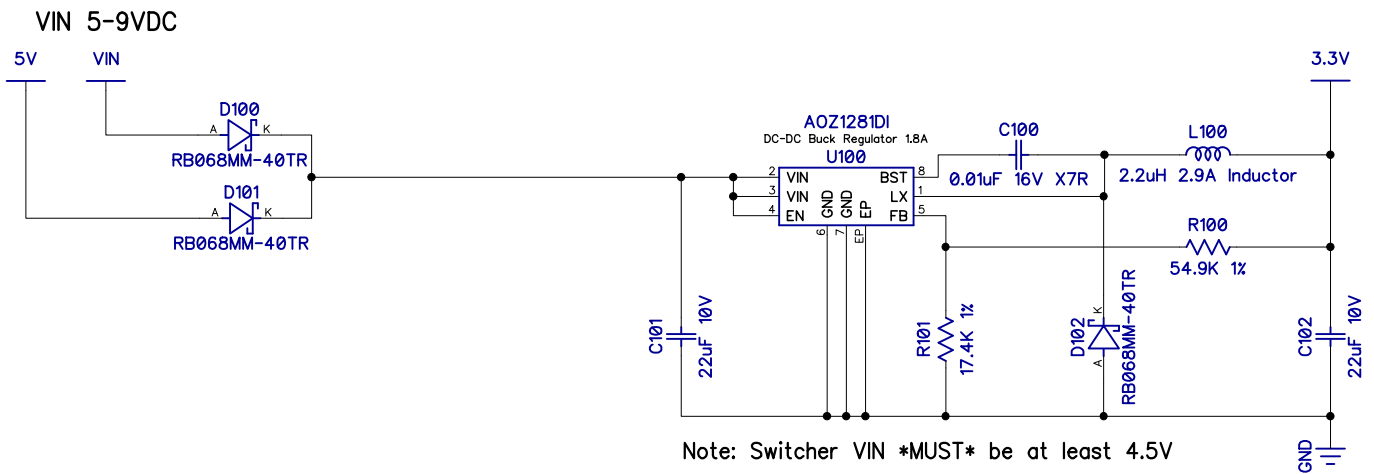


Power Supply (Switcher)



Note: Switcher VIN *MUST* be at least 4.5V

Parallax Inc.
599 Menlo Drive
Rocklin, CA 95765

(916) 624-8333
<http://www.parallax.com/>

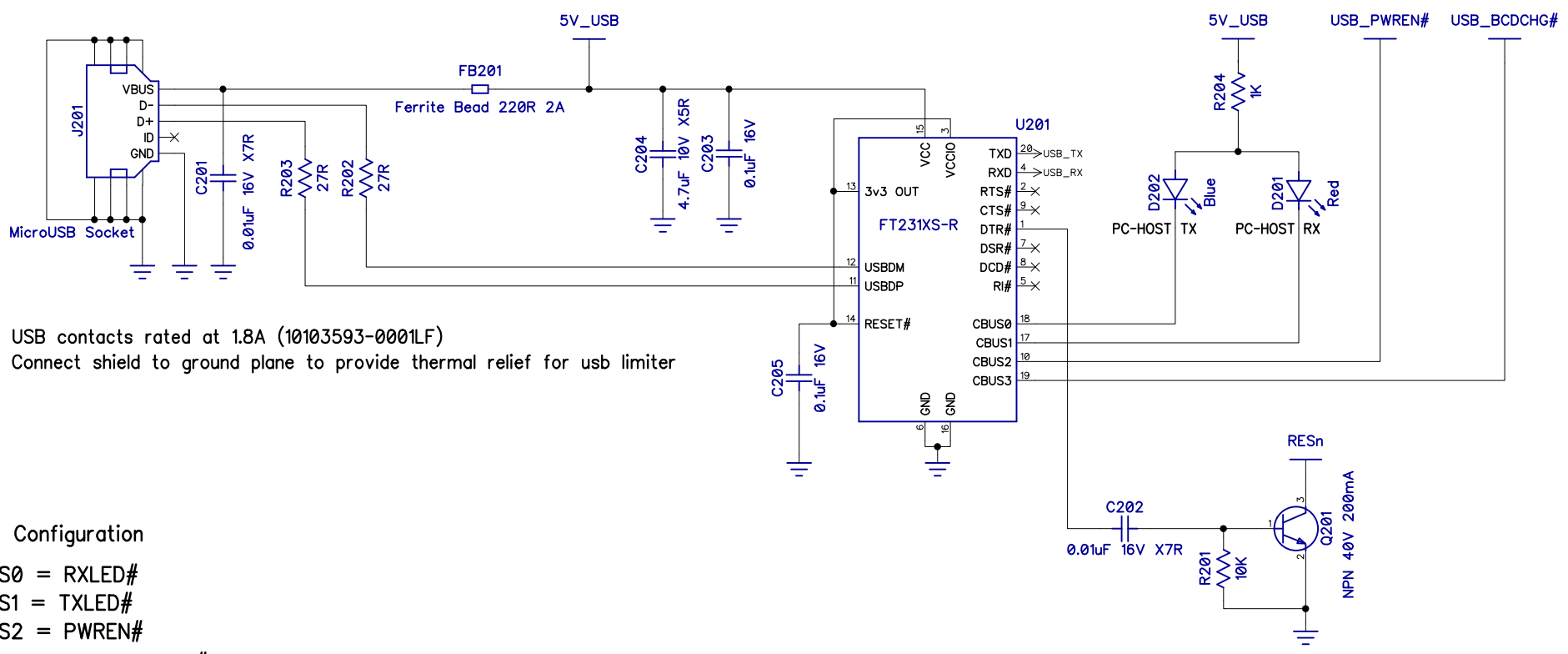
Propeller FLiP

Copyright 2017 Parallax Incorporated. All Rights Reserved.
This is Open Source Hardware. This work is licensed under a Creative Commons Attribution-ShareAlike 4.0 International License. The full text of the license is available from: <http://creativecommons.org/licenses/by-sa/4.0>

Part Number: 32123
Revision: A

Last Update: 05 May 2017

USB Interface



USB contacts rated at 1.8A (10103593-0001LF)
 Connect shield to ground plane to provide thermal relief for usb limiter

FTDI Configuration

- CBUS0 = RXLED#
- CBUS1 = TXLED#
- CBUS2 = PWREN#
- CBUS3 = BCD_Charger#
- USB Config / MaxPower = 500mA
- Enable "Battery Charger Enable" option
- Manufacturer = Parallax Inc
- Product Description = Propeller FLiP Rev A

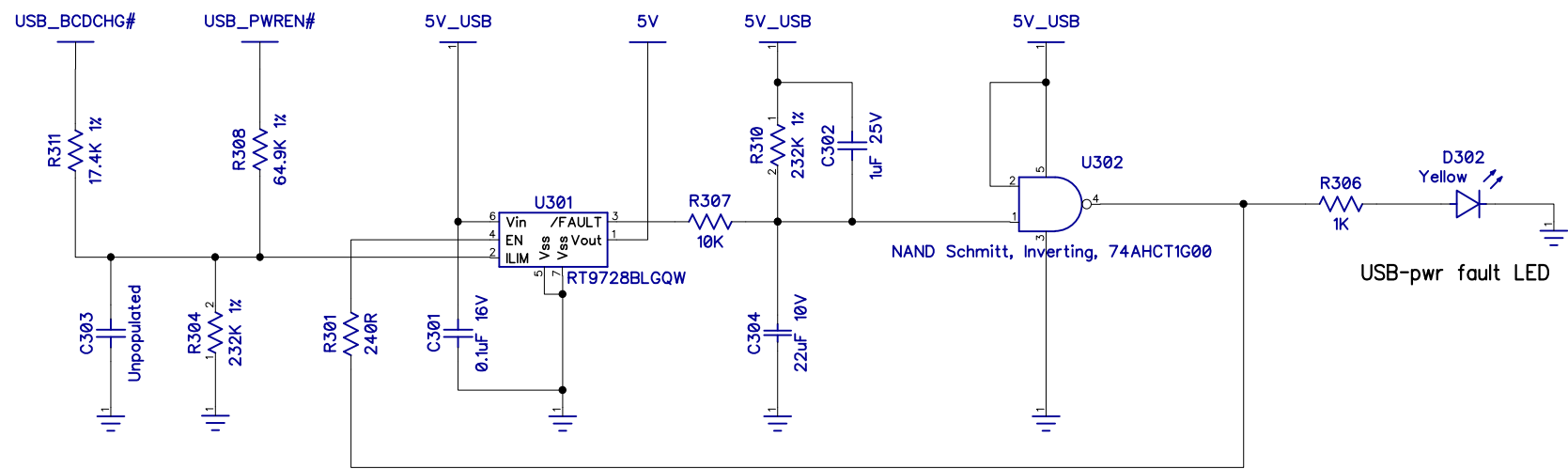
Parallax Inc.
 599 Menlo Drive
 Rocklin, CA 95765
 (916) 624-8333
<http://www.parallax.com/>

Propeller FLiP

Copyright 2017 Parallax Incorporated. All Rights Reserved.
 This is Open Source Hardware. This work is licensed under a Creative Commons Attribution-ShareAlike 4.0 International License. The full text of the license is available from: <http://creativecommons.org/licenses/by-sa/4.0>

Part Number: 32123
 Revision: A
 Last Update: 05 May 2017

USB Current Limiting



Current limits:
 Nom. 400mA - Connected to Computer
 Nom. 1500mA - Connected to USB Charger

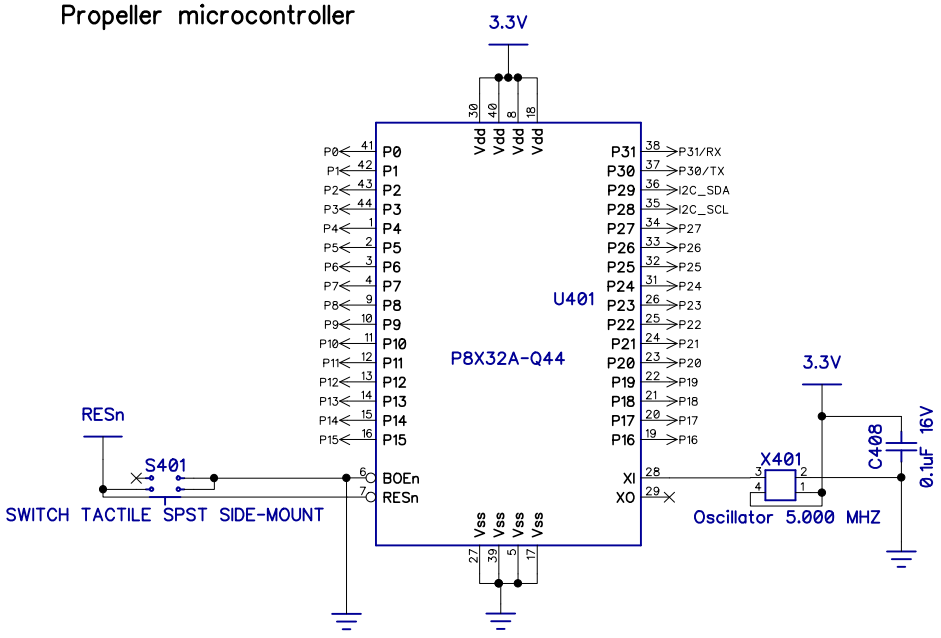
Parallax Inc.
 599 Menlo Drive
 Rocklin, CA 95765
 (916) 624-8333
<http://www.parallax.com/>

Propeller FLiP
 Copyright 2017 Parallax Incorporated. All Rights Reserved.
 This is Open Source Hardware. This work is licensed under a Creative Commons Attribution-ShareAlike 4.0 International License. The full text of the license is available from: <http://creativecommons.org/licenses/by-sa/4.0>

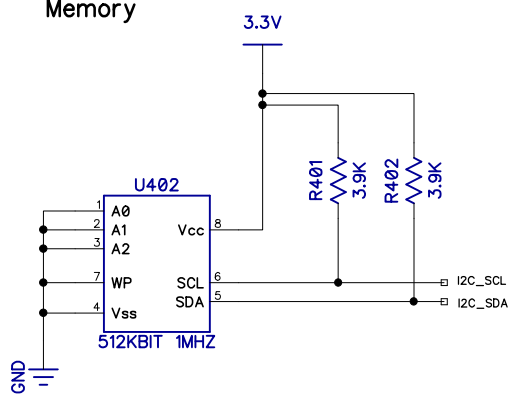
Part Number: 32123
 Revision: A
 Last Update: 05 May 2017

Microcontroller and Memory

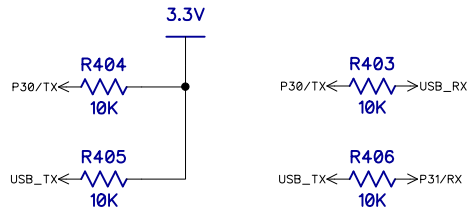
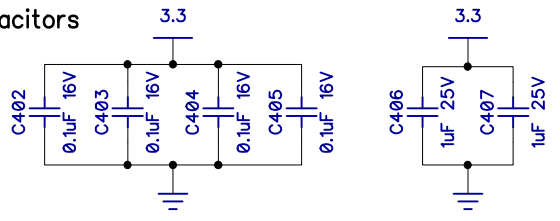
Propeller microcontroller



Memory



Decoupling Capacitors



Pull-up serial bus to prevent floating-state terminal chars
 Include 10K series to prevent parasitic power in either direction

Parallax Inc.
 599 Menlo Drive
 Rocklin, CA 95765

(916) 624-8333
<http://www.parallax.com/>

Propeller FLiP

Copyright 2017 Parallax Incorporated. All Rights Reserved.
 This is Open Source Hardware. This work is licensed under a Creative Commons Attribution-ShareAlike 4.0 International License. The full text of the license is available from: <http://creativecommons.org/licenses/by-sa/4.0>

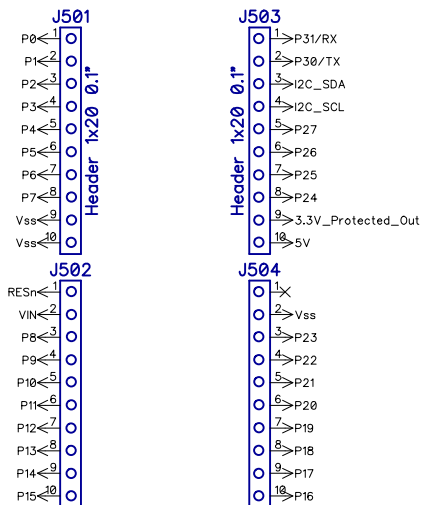
Part Number: 32123
 Revision: A

Last Update: 05 May 2017

Headers and LEDs

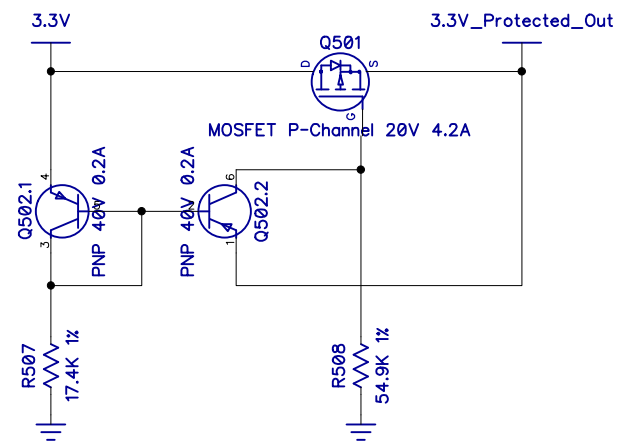
40 pin 0.1" pitch header, suitable for breadboard

Spacing 600 mil (15.24mm)

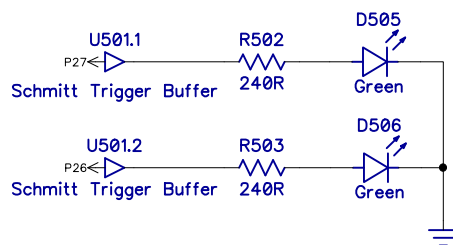
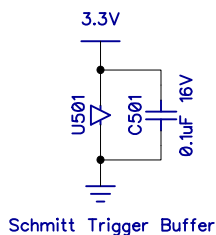


(Assembled with four 10pin headers or two 20pin headers)

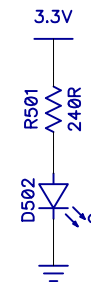
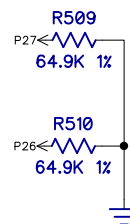
3.3Vout Reverse Polarity Protection



Buffered I/O LED's



Power-On LED



Parallax Inc.
599 Menlo Drive
Rocklin, CA 95765

(916) 624-8333
<http://www.parallax.com/>

Propeller FLiP

Copyright 2017 Parallax Incorporated. All Rights Reserved.
This is Open Source Hardware. This work is licensed under a Creative Commons Attribution-ShareAlike 4.0 International License. The full text of the license is available from: <http://creativecommons.org/licenses/by-sa/4.0>

Part Number: 32123
Revision: A

Last Update: 05 May 2017

BOM

RefDes	Quantity	Value	Name	Manufacturer
C100, C201, C202	3	0.01uF 16V X7R	200-10504 : CAP-CER,0.01uF,10%,16V,0402	AVX : 0402YC103KAT2A
C101, C102, C304	3	22uF 10V	200-11541 : CAP-CER,22uF,10V,X5R,0603	Samsung : CL10A226MPCNUBE
C203, C205, C301, C402, C403, C404, C405, C408, C501	9	0.1uF 16V	200-11203 : CAP-CER,0.1uF,X7R,16V,0402	Murata : GRM155R71C104KA88J
C204	1	4.7uF 10V X5R	200-11202 : CAP-CER,4.7uF,10V,X5R,0603	Samsung : CL10A475MP5LNNC
C302, C406, C407	3	1uF 25V	213-01011 : Cap-Cer,1uF,25V,X5R,0402	Taiyo Yuden : TMK105B1J105MV-F
C303	1	Unpopulated	Unpopulated	Unpopulated
D100, D101, D102	3	RB068MM-40TR	501-10037 : Diode,Schottky,40V,2A,SOD-123F	Rohm : RB068MM-40TR
D201	1	Red	350-10025 : LED RED CLEAR 0603 R/A	Lite-On : LTST-S270KRKT
D202	1	Blue	350-10026 : LED BLUE CLEAR 0603 R/A	Lite-On : LTST-S270TBKT
D302	1	Yellow	350-10030 : LED YELLOW CLEAR 0603 R/A	Lite On : LTST-S270KSKT
D502, D505, D506	3	Green	350-10029 : LED GREEN CLEAR 0603 R/A	Lite-On : LTST-S270KGKT
FB201	1	Ferrite Bead 220R 2A	275-10004 : FerriteBead,2A,220OHM,0603,SMT	TDK : MPZ1608S221ATA00
J201	1	MicroUSB Socket	452-10028 : MicroUSB SMT, RA Connector	Amphenol FCI : 10118194-0001LF
J501, J503	2	Header 1x20 0.1"	451-00111 : CON-HDR,1X120,0.1,TH, 2xSP	Samtec : ZW-20-17-F-S-200-075
L100	1	2.2uH 2.9A Inductor	275-10007 : 2.2uH 2.9A Inductor	Bourns : SRN4018-2R2M
Q201	1	NPN 40V 200mA	500-00009 : BJT,NPN,200mA,40V,SOT-416	On Semi : MMBT3904TT1G
Q501	1	MOSFET P-Channel 20V 4.2A	500-10037 : MOSFET P-CH 20V 4.2A SOT23	Diodes Inc : DMG2305UX-13
Q502	1	PNP 40V 0.2A	500-10030 : TRANS 2PNP 40V 0.2A SOT-363	ON Semi : MBT3906DW1T1G
R100, R508	2	54.9K 1%	172-10222 : Res,54.9K,1%,0402	Stackpole : RMCF0402FT54K9
R101, R311, R507	3	17.4K 1%	172-10221 : Res,17.4k,1%,0402	Panasonic : ERJ-2RKF1742X
R201, R307, R403, R404, R405, R406	6	10K	150-11022 : RES,10K,5%,0402	Panasonic : ERJ-2GEJ103X
R202, R203	2	27R	150-11038 : RES,27,5%,0603	Panasonic : ERJ-3GEYJ270V
R204, R306	2	1K	173-10002 : RES,1K,5%,0402	Stackpole : RMCF0402JT1K00
R301, R501, R502, R503	4	240R	150-12023 : RES,240,5%,0402	Yageo : RC0402JR-07240RL
R304, R310	2	232K 1%	172-16012 : RES,232K,1%,0402	Yageo : RC0402FR-07232KL
R308, R509, R510	3	64.9K 1%	172-10226 : RES,64.9K,1%,0402	Yageo : RC0402FR-0764K9L
R401, R402	2	3.9K	150-11051 : Res,3.9k,0402	Yageo : RC0402JR-073K9L
S401	1	SWITCH TACTILE SPST SIDE-MOUNT	400-10013 : Switch, tactile side mount	C&K : PTS840 GMP SMTR LFS
U100	1	AOZ1281DI	601-10341 : IC-REG,1.8A,8-DFN,AOZ1281DI	Alpha & Omega : AOZ1281DI
U201	1	FT231XS-R	604-00065 : IC-FTDI, FT231X	FTDI : FT231XS-R
U301	1	RT9728BLGQW	604-10022 : IC-SW,Power,1.8A,6WDFN,RT9728B	RICHTEK : RT9728BLGQW
U302	1	NAND Schmitt, Inverting, 74AHCT1G00	604-10028 : IC,NAND,SOT-353,74AHCT1G00	Diodes Inc : 74AHCT1G00SE-7
U401	1	P8X32A-Q44	P8X32A-Q44 : IC-P8X32A-Q44 (QFP)	Parallax : P8X32A-Q44
U402	1	512KBIT 1MHZ	602-10001 : IC SRL EEPROM 512K 2.7V	STMicro : M24512-RDW6TP
U501	1	Schmitt Trigger Buffer	603-10024 : IC, Buff, Dual, 6TSSOP, NC7WZ17P6X	Fairchild Semi : NC7WZ17P6X
X401	1	Oscillator 5.000 MHZ	252-10005 : 5MHz CMOS Oscillator	SISTIME : SIT8918BE-13-33E-5.000000E

Parallax Inc.
599 Menlo Drive
Rocklin, CA 95765

(916) 624-8333
<http://www.parallax.com/>

Propeller FLiP

Copyright 2017 Parallax Incorporated. All Rights Reserved.
This is Open Source Hardware. This work is licensed under a Creative Commons
Attribution-ShareAlike 4.0 International License. The full text of the license is
available from: <http://creativecommons.org/licenses/by-sa/4.0>

Part Number: 32123
Revision: A

Last Update: 05 May 2017