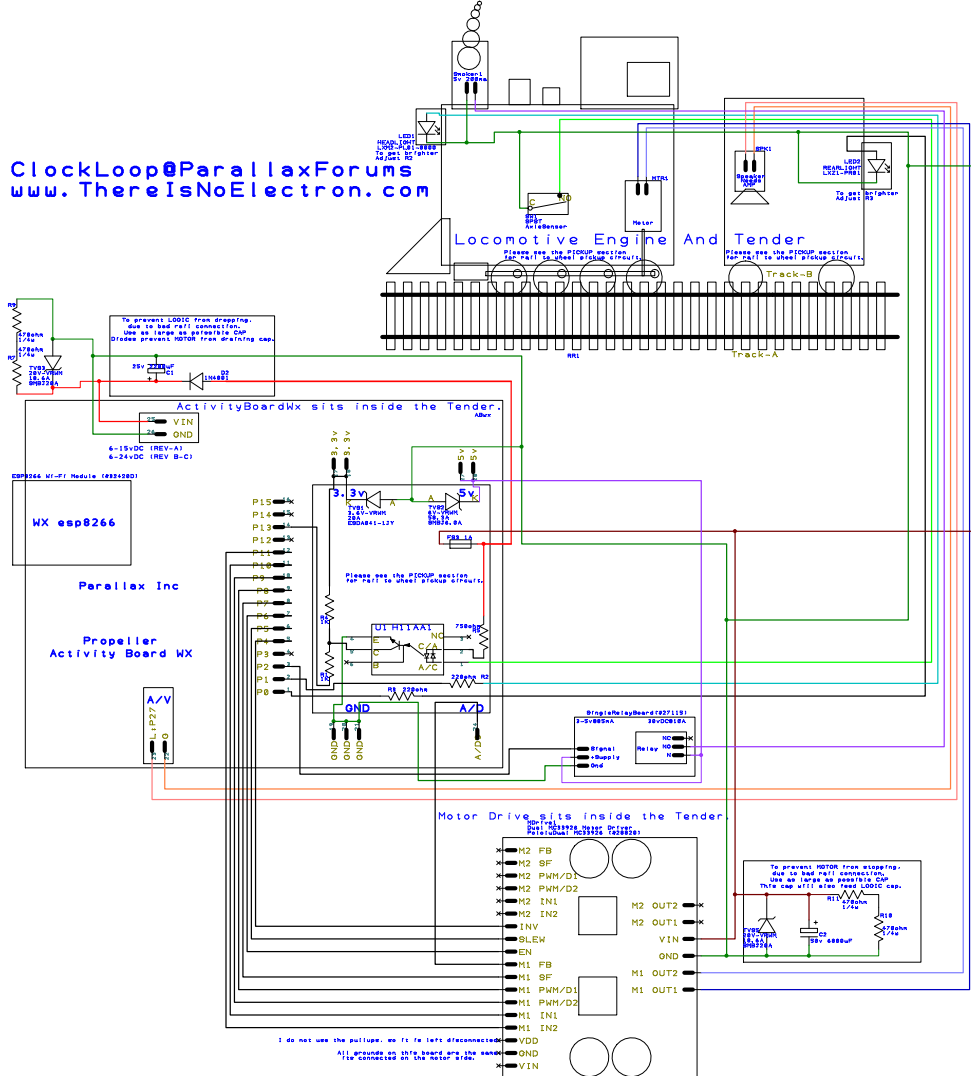
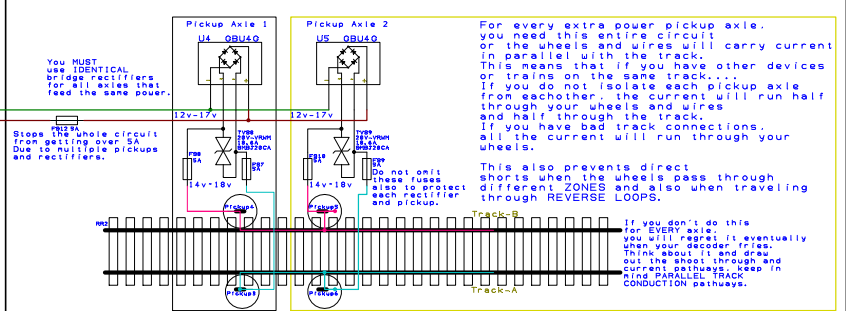


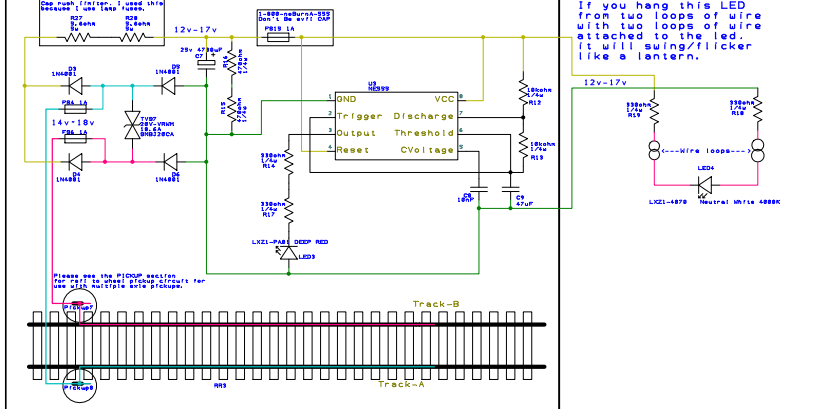
ClockLoop@ParallaxForums
www.TherIsNoElectron.com



Rail to wheel to circuit pickup.



Caboose 555 End Of Train Flasher



Propeller controlled EOT and Accelerometer in CABOOSE

