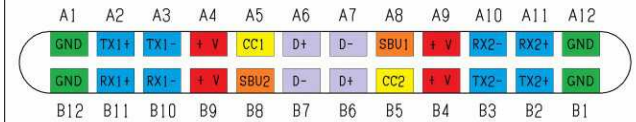


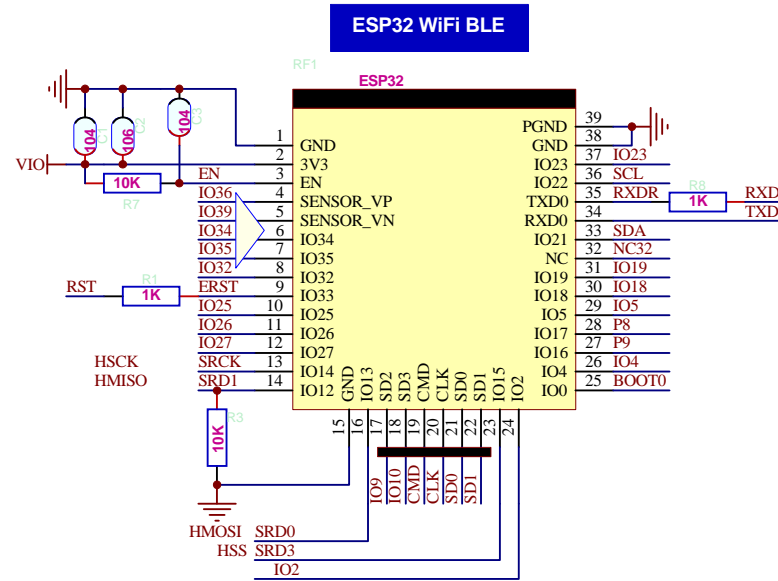
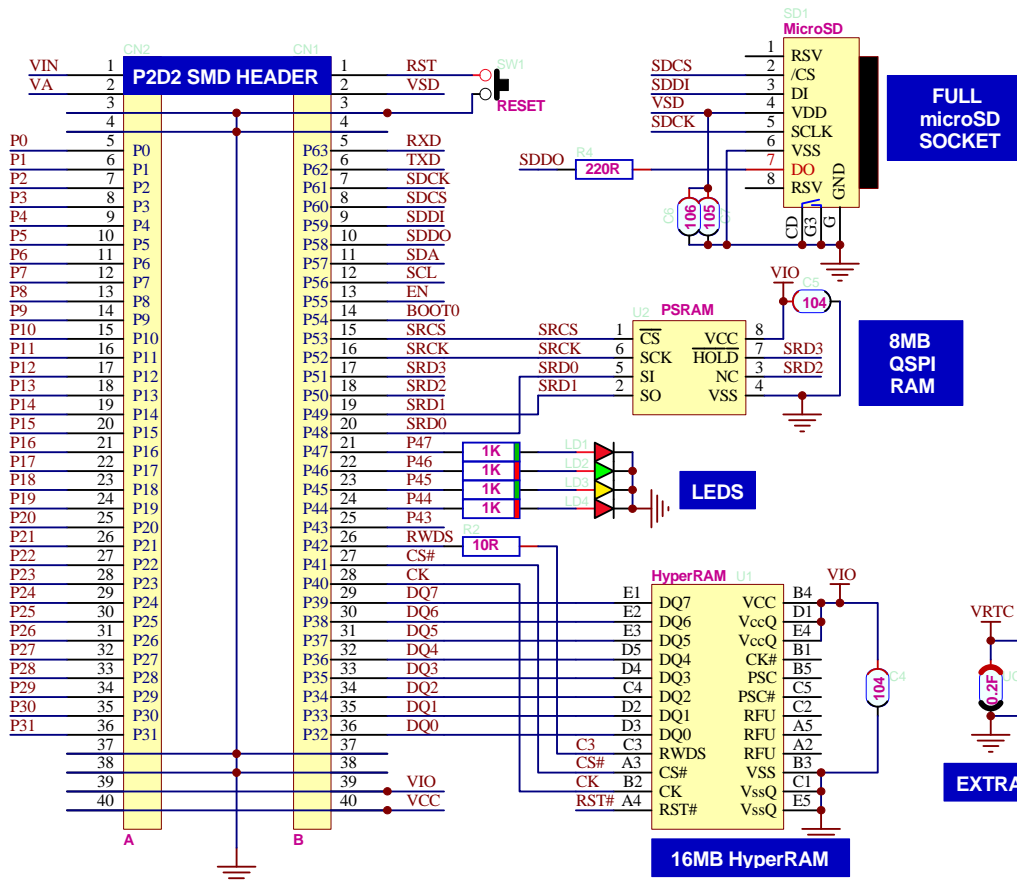
PIN ASSIGNMENTS

- P55 - ESP32 EN
- P54 - HMISO
- P53 - SRCS (free for USB other use if PSRAM is not fitted)
- P52 - SRCK (free for UBS or other use if PSRAM is not fitted)
- P51 - SRD3 - HSS (potentially generates PWM at ESP32 boot)
- P50 - SRD2 - BOOT0 (potentially generates PWM at ESP32 boot)
- P49 - SRD1 - HCLK (potentially generates PWM at ESP32 boot)
- P48 - SRD0 - HMOSI

USB Type-C Connector Pin Assign



- USB3.1 Super speed+ 10Gbps
- Secondary Bus
- USB2.0 High speed 480Mbps
- USB Power Delivery Communication



pbjtech
BRISBANE, AUSTRALIA

P2PAL LAYER

FILE: P2D2PAL.Sch

SMD expansion layer for P2D2 with WiFi, microSD, RAM and LEDs

Ver 1 .0

1 of 1

3

12-Aug-2020

12:15:17

DWN

PBJ