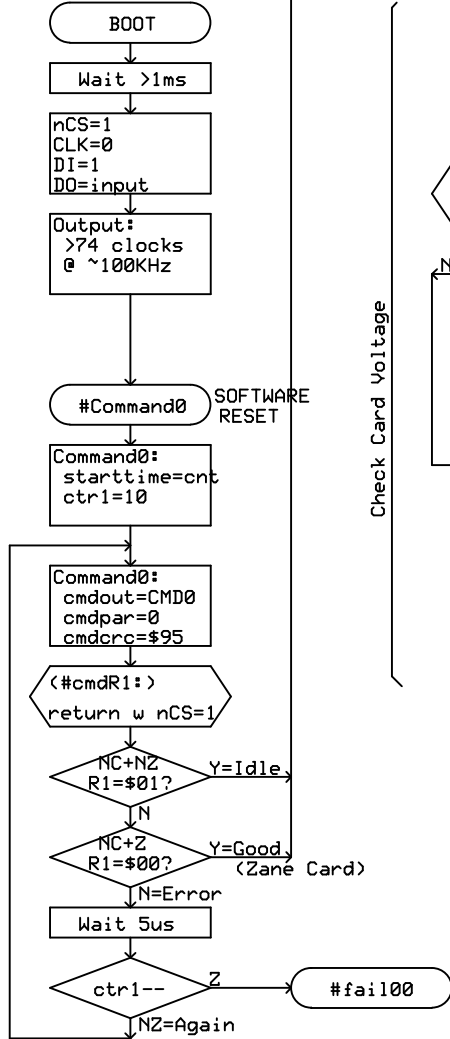


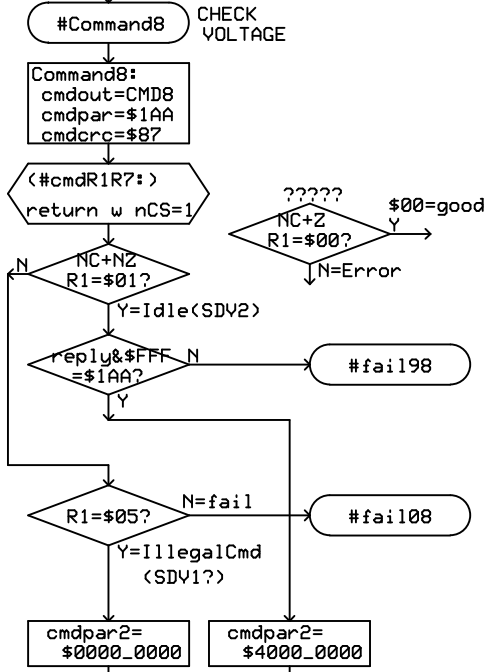
Initialise to SPI mode0

Initialise Card Software



CARD SOFTWARE INITIATED

Check Card Voltage



Determine SDV1/SDV2(byte)/SDV2(block)

