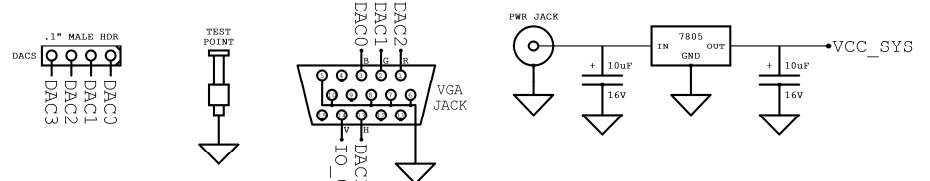
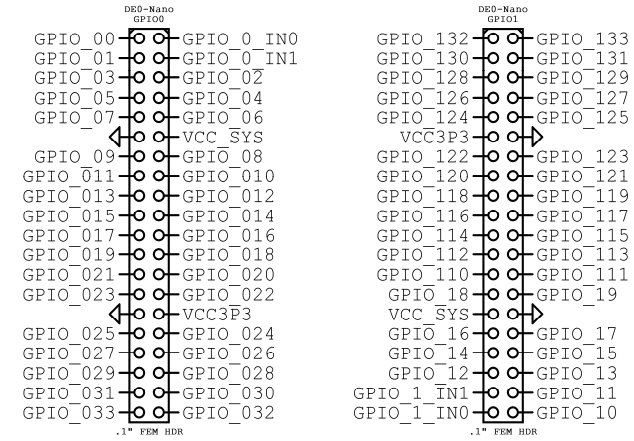
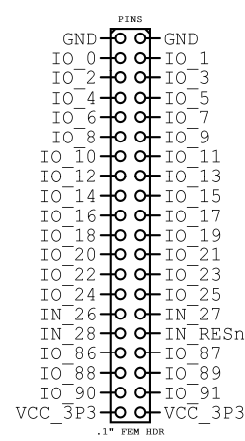
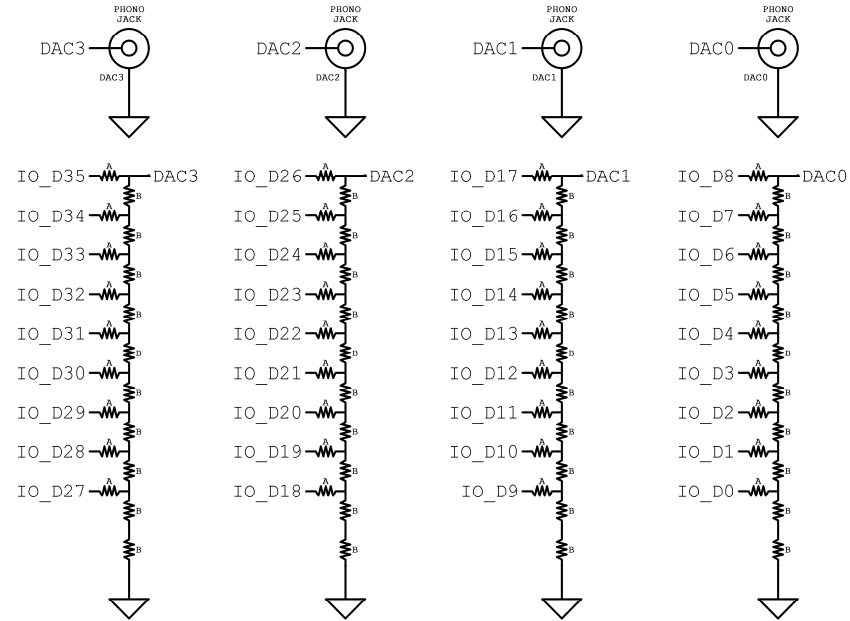


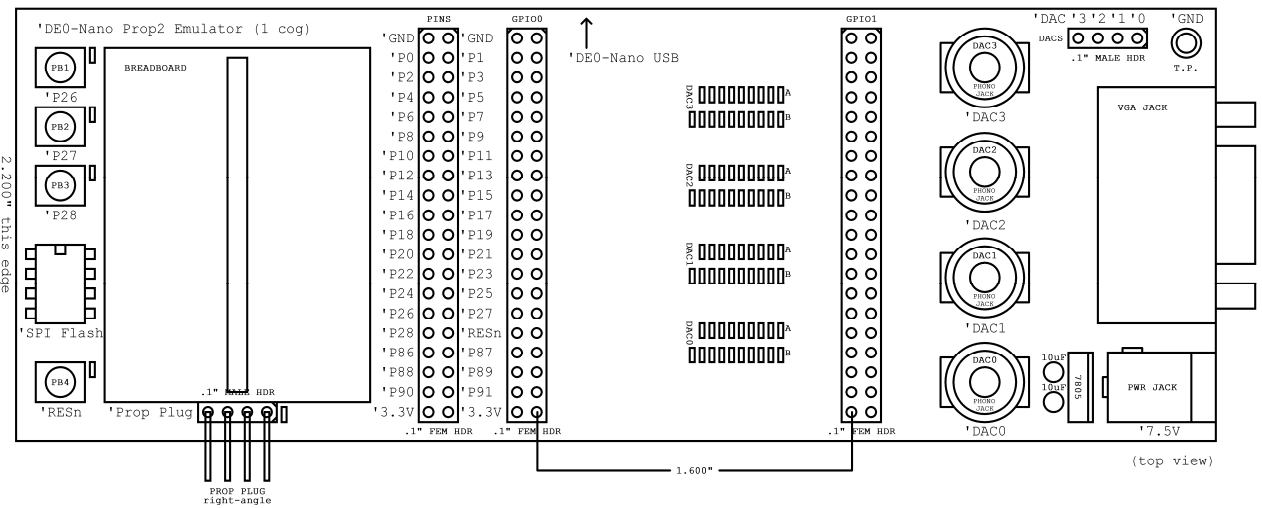
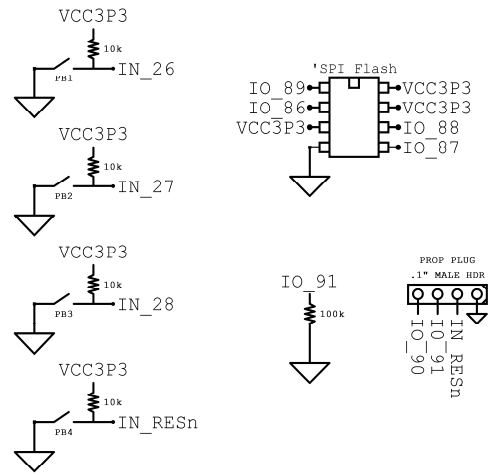
DE0-Nano Prop2 Emulator (1 cog)

Version 1 - Date 11/26/2012

IO_XXX = any unique GPIO_XXX pin
IN_XXX = any unique GPIO_X_INX pin



All resistors are 0603.
Legend text begins with "'".
Maintain signal orientation, as shown, for all headers.
All parts are on the top side.
PHONO JACK is DigiKey CP-1411-ND.
VGA JACK, TESTPOINT, and BREADBOARD are from Propeller Demo Board.



(top view)