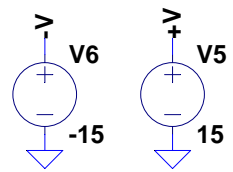
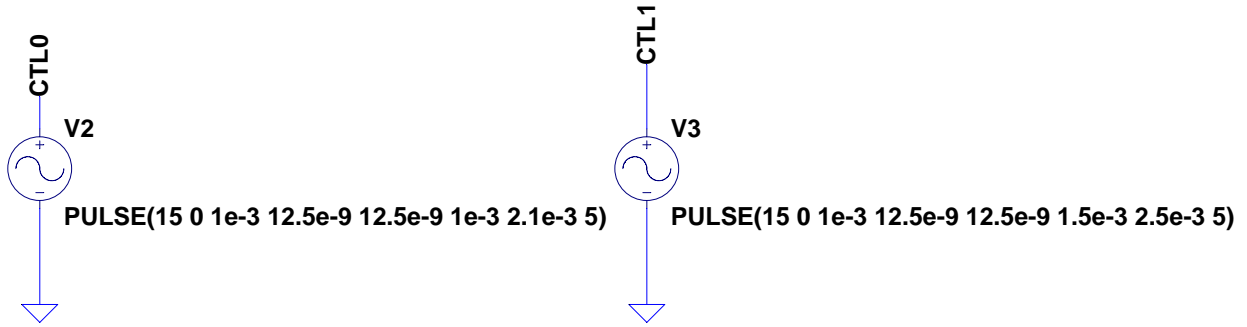
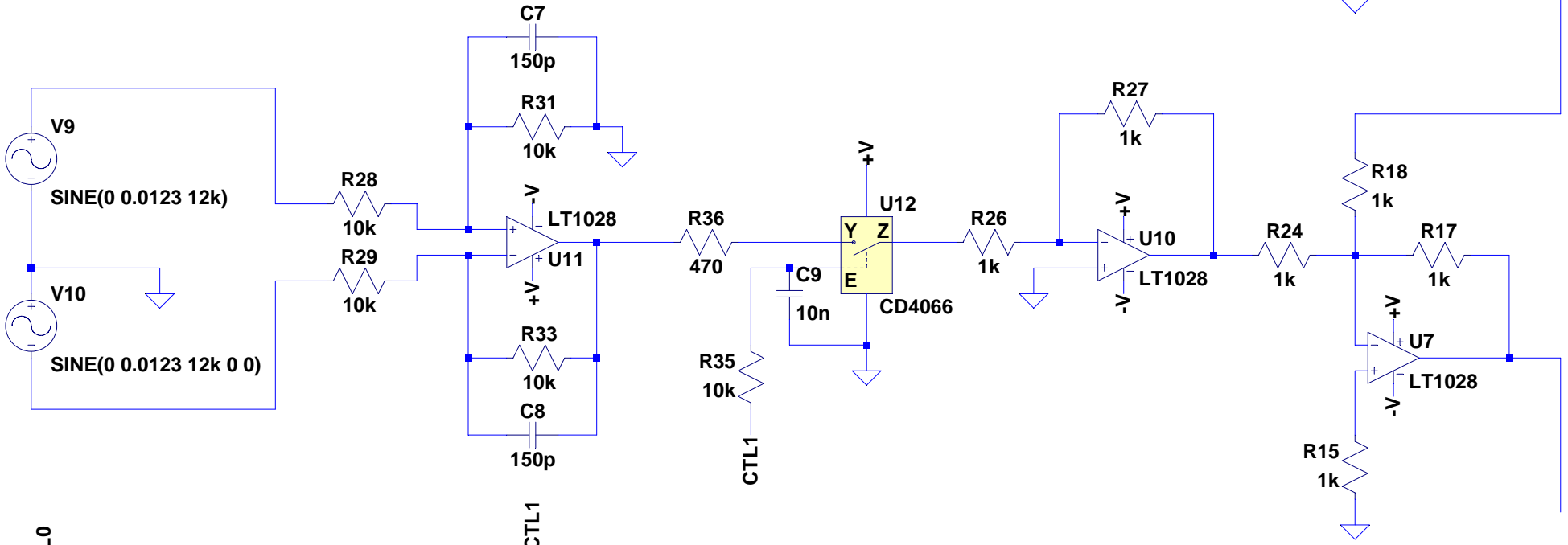
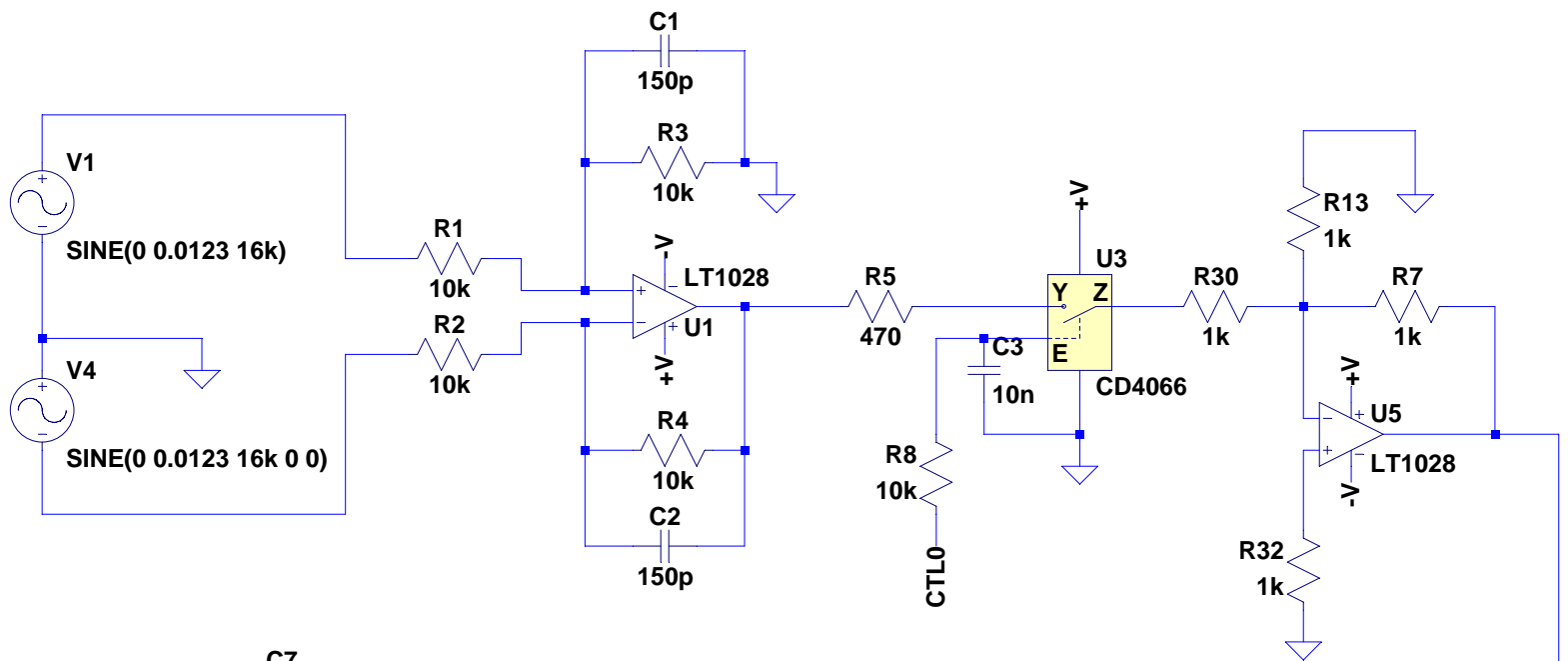
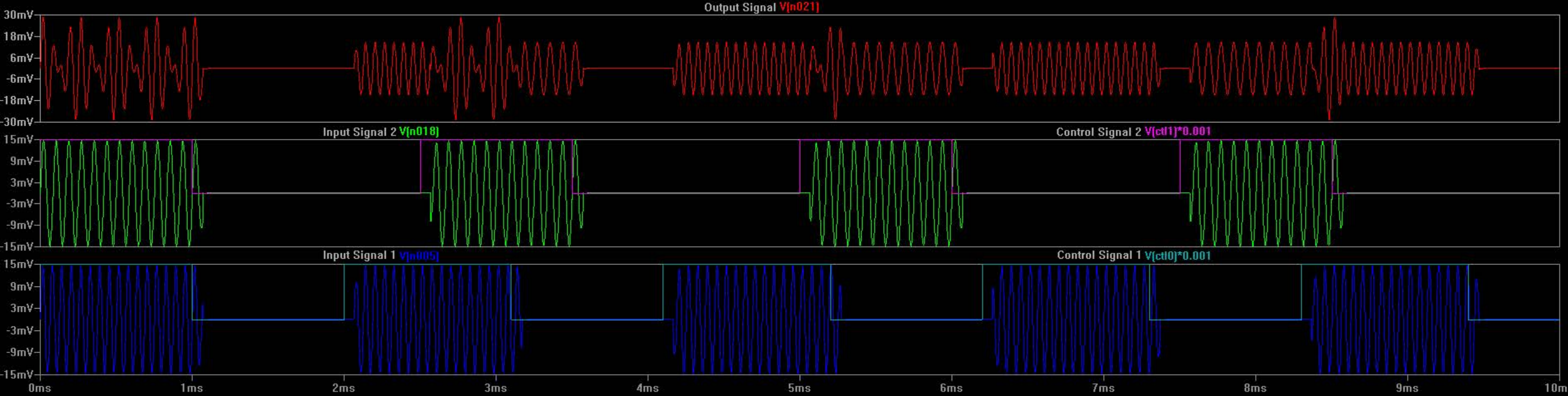
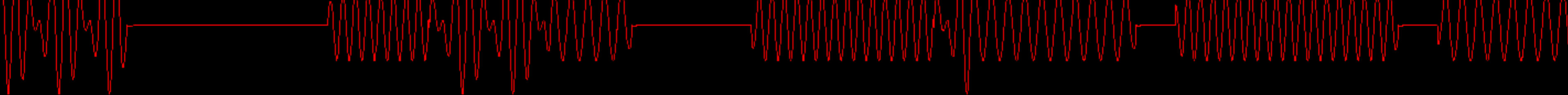


.include cd4066.sub
.tran 10e-3



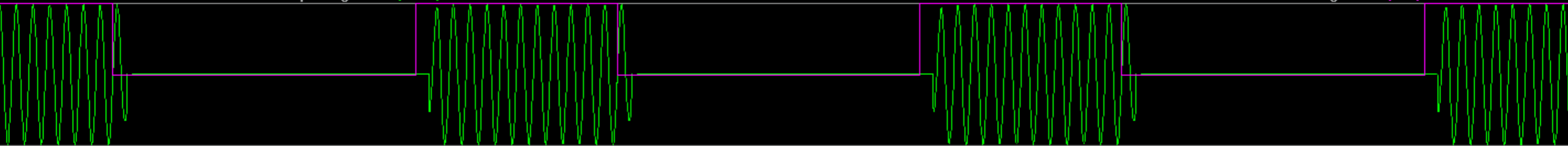
.include cd4066.sub
.tran 10e-3





Input Signal 2 $V(n018)$

Control Signal 2 $V(ct11)*0.001$



Input Signal 1 $V(n005)$

Control Signal 1 $V(ct10)*0.001$

