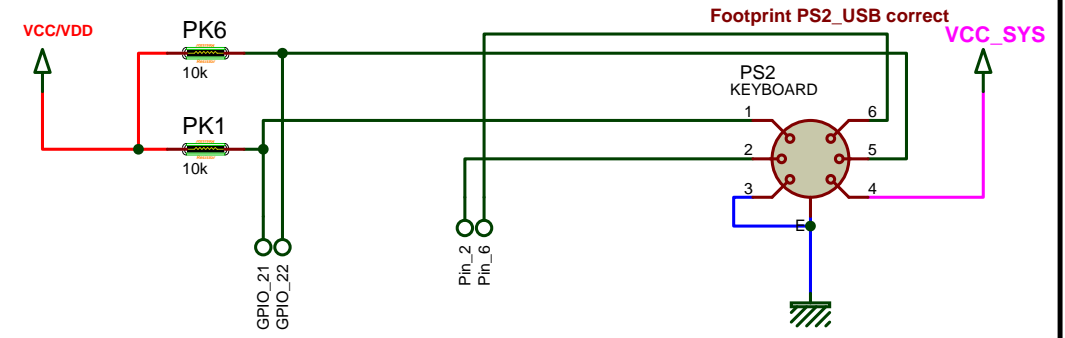
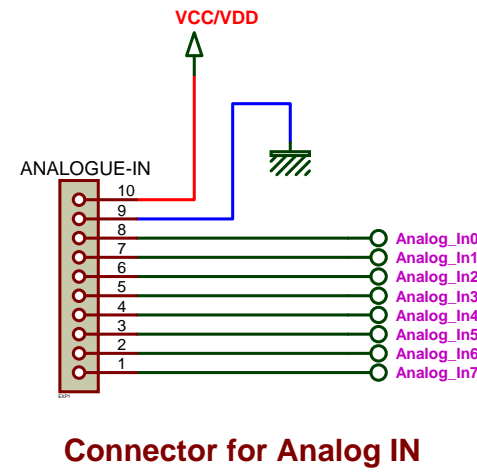
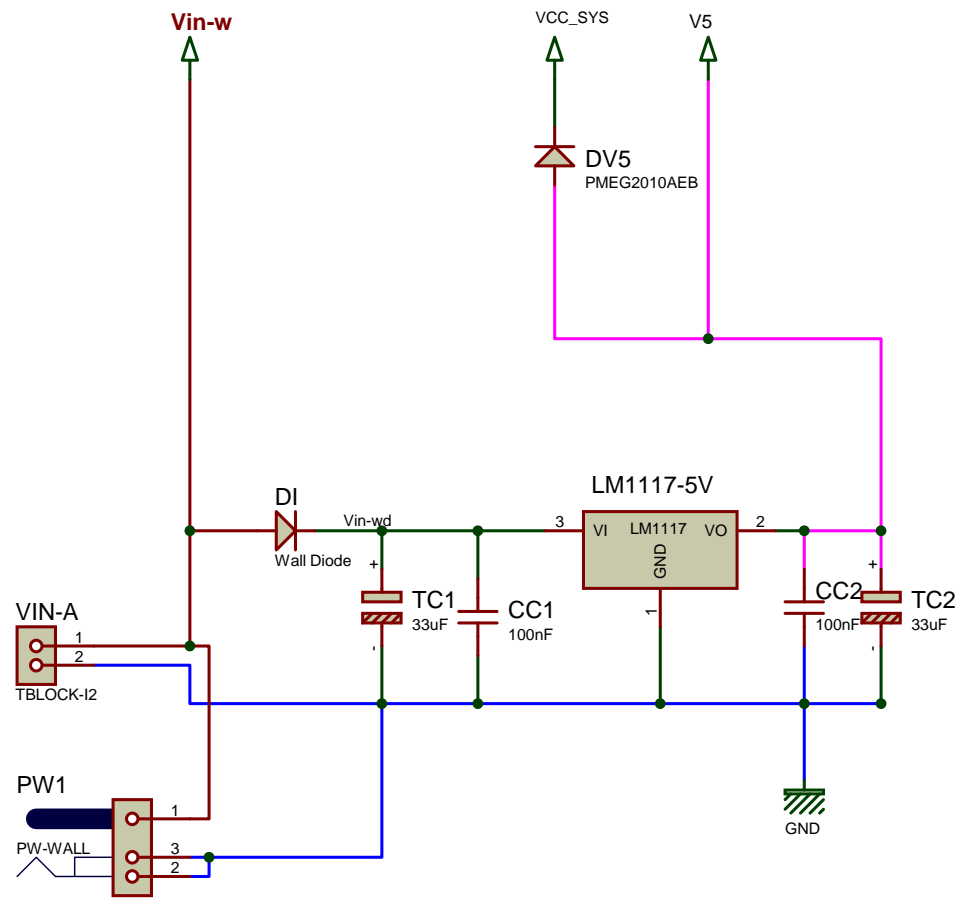
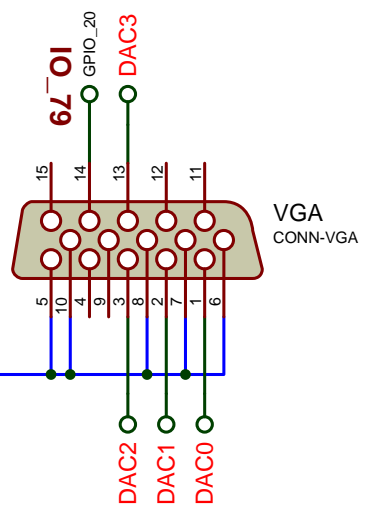
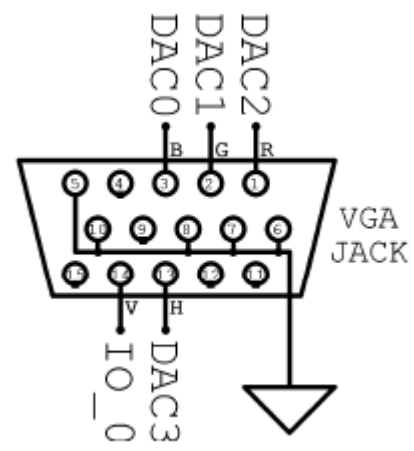


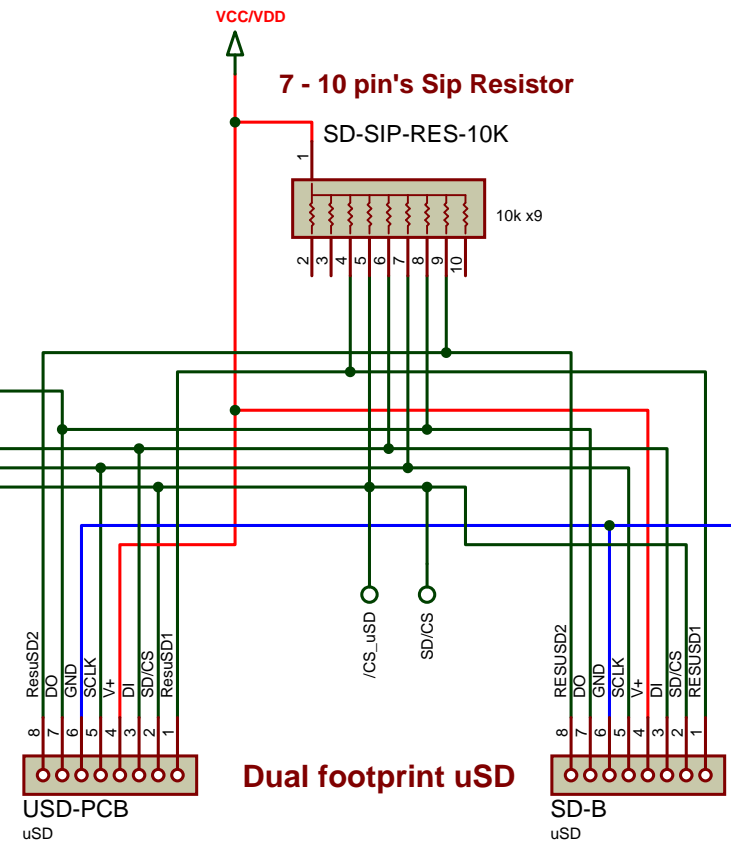
NANO-Base+ v1 sch 4 of 4
 (C) Design by Chip Greacy, 2012
 sch Layout ChJ-Sapieha, July 2012



General specifications	
Pins	6
Connector	Mini-DIN
Data	
Data signal	Serial data at 10 to 16 kHz with 1 stop bit, 1 start bit, 1 parity bit (odd)
Pin out	
Female connector from the front	
Pin 1	+DATA Data
Pin 2	Not connected Not connected*
Pin 3	GND Ground
Pin 4	Vcc +5 V DC at 275 mA
Pin 5	+CLK Clock
Pin 6	Not connected Not connected**
* On some computers mouse data for splitter cable.	
** On some computers mouse clock for splitter cable.	



- Flash**
- IO_89_CS
 - IO_88_SCK
 - IO_87_SIO
 - IO_86_SO
- uSD**
- IO_85_CS GPIO_24
 - IO_84_SCK GPIO_23
 - IO_83_SIO GPIO_25
 - IO_82_SO GPIO_26



USB

