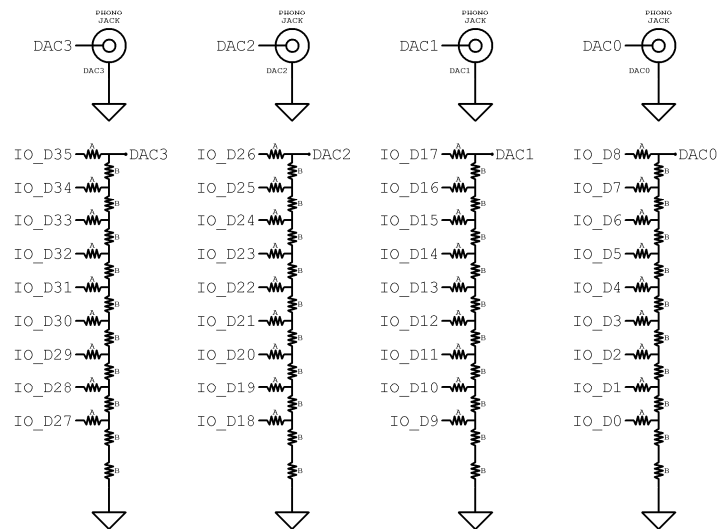
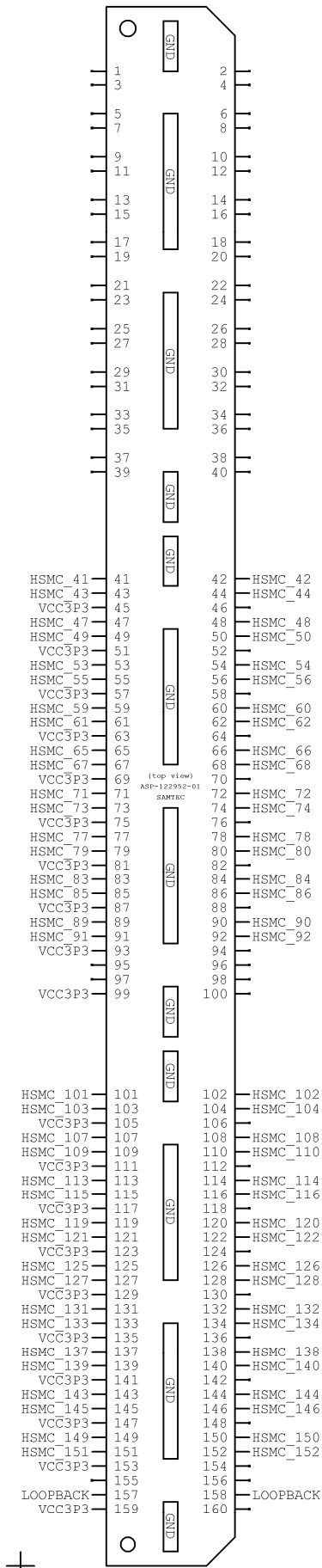
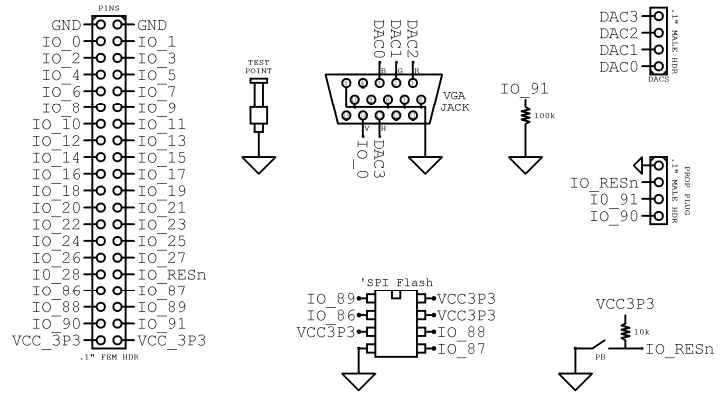


Terasic DE2-115 Prop2 Emulator

Version 1 - Date 11/27/2012



IO_xxx = any unique HSMC_xxx pin



All resistors are 0603.
 Legend text begins with " ".
 Maintain signal orientation, as shown, for all headers.
 All parts are on top side, except Samtec and 0603's.
 PHONO JACK is DigiKey CP-1411-ND.
 VGA JACK, TESTPOINT, and BREADBOARD are from Propeller Demo Board.

