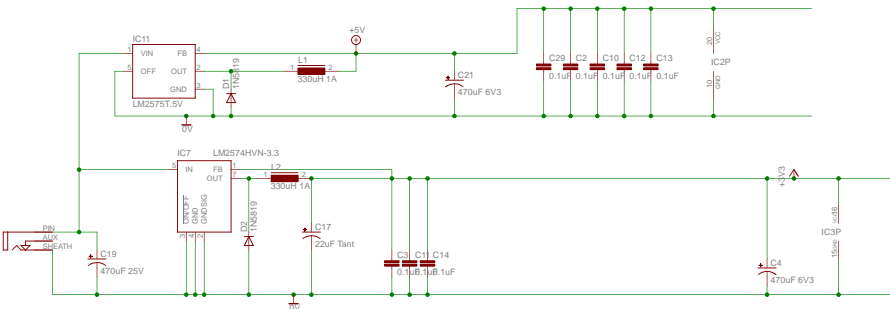


- IC2 MOUNT-HOLE3.6
- IC3 MOUNT-HOLE3.6
- IC1 MOUNT-HOLE3.6
- IC4 MOUNT-HOLE3.6



Autoroute with a grid of 10mil
 Components on board with a grid of 0.025
 Design rule check min track width 10mil
 Design rule check min pad to via 40mil

