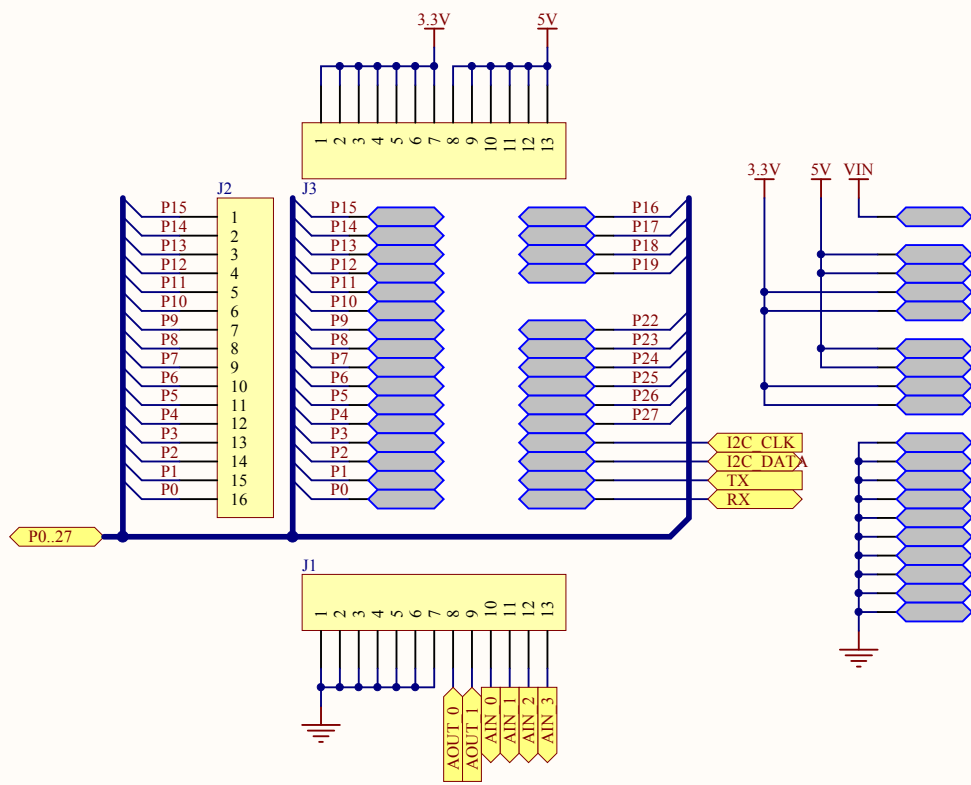
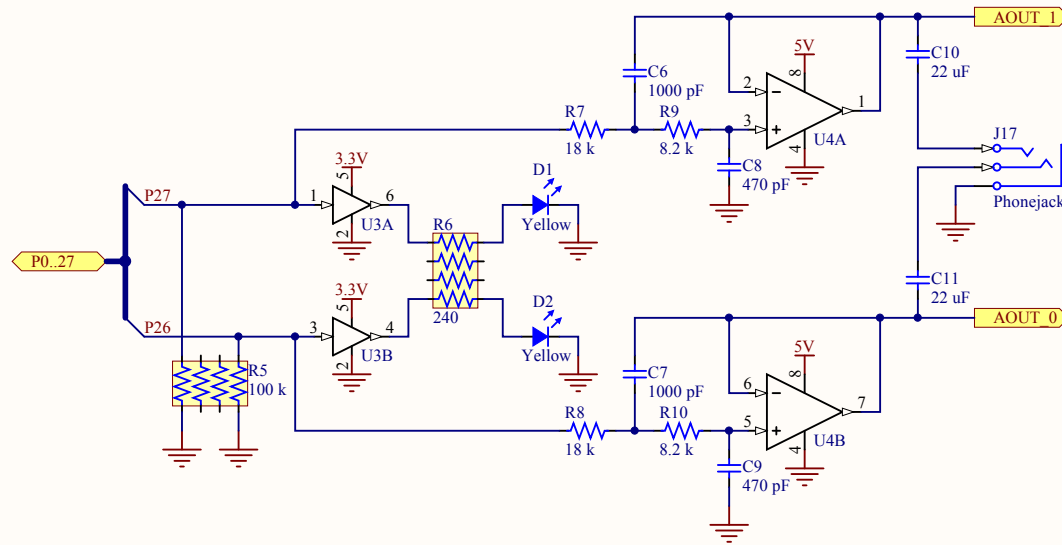


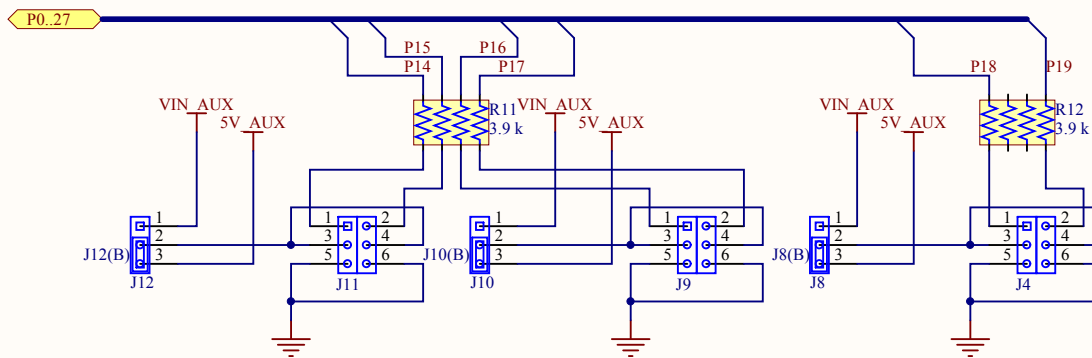
Title		
Size	Number	Revision
Letter		
Date:	2/10/2012	Sheet of
File:	L:\Products\...\ADC.SchDoc	Drawn By:



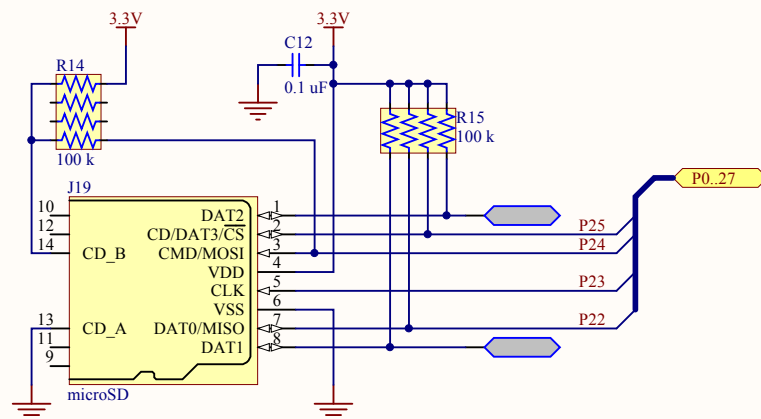
Title		
Size	Number	Revision
Letter		
Date:	2/10/2012	Sheet of
File:	L:\Products\...\Breadboard.SchDoc	Drawn By:



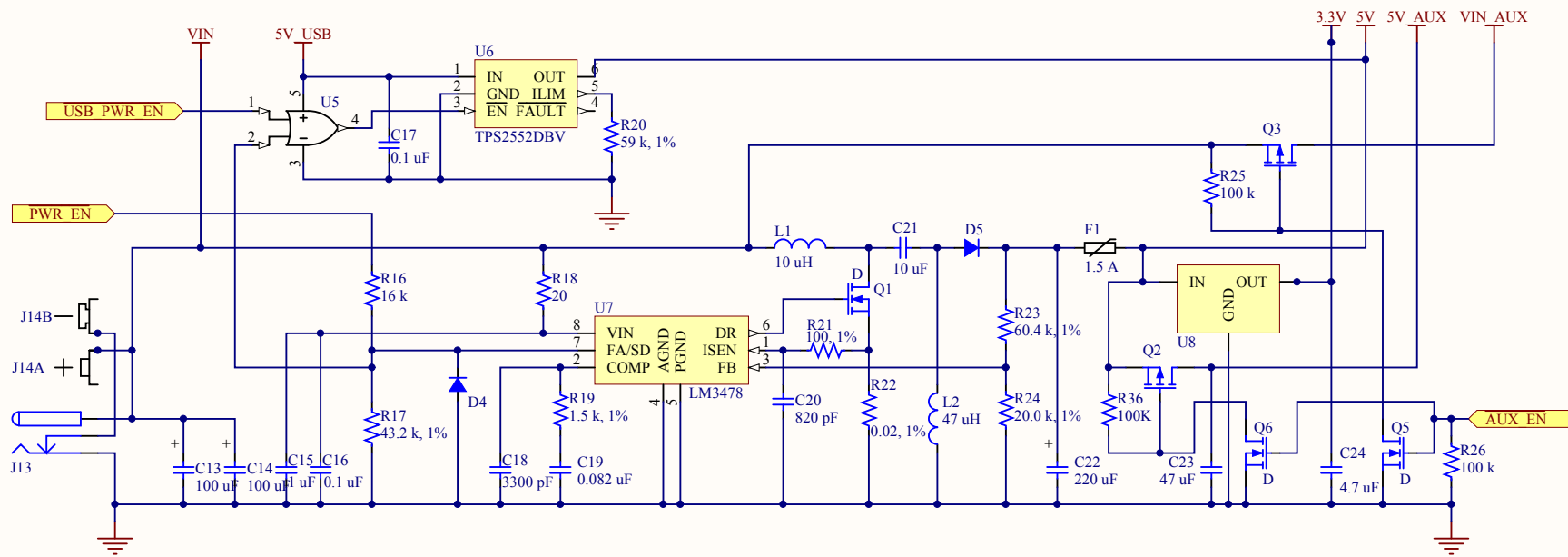
Title		
Size	Number	Revision
Letter		
Date:	2/10/2012	Sheet of
File:	L:\Products\...\DAC.SchDoc	Drawn By:



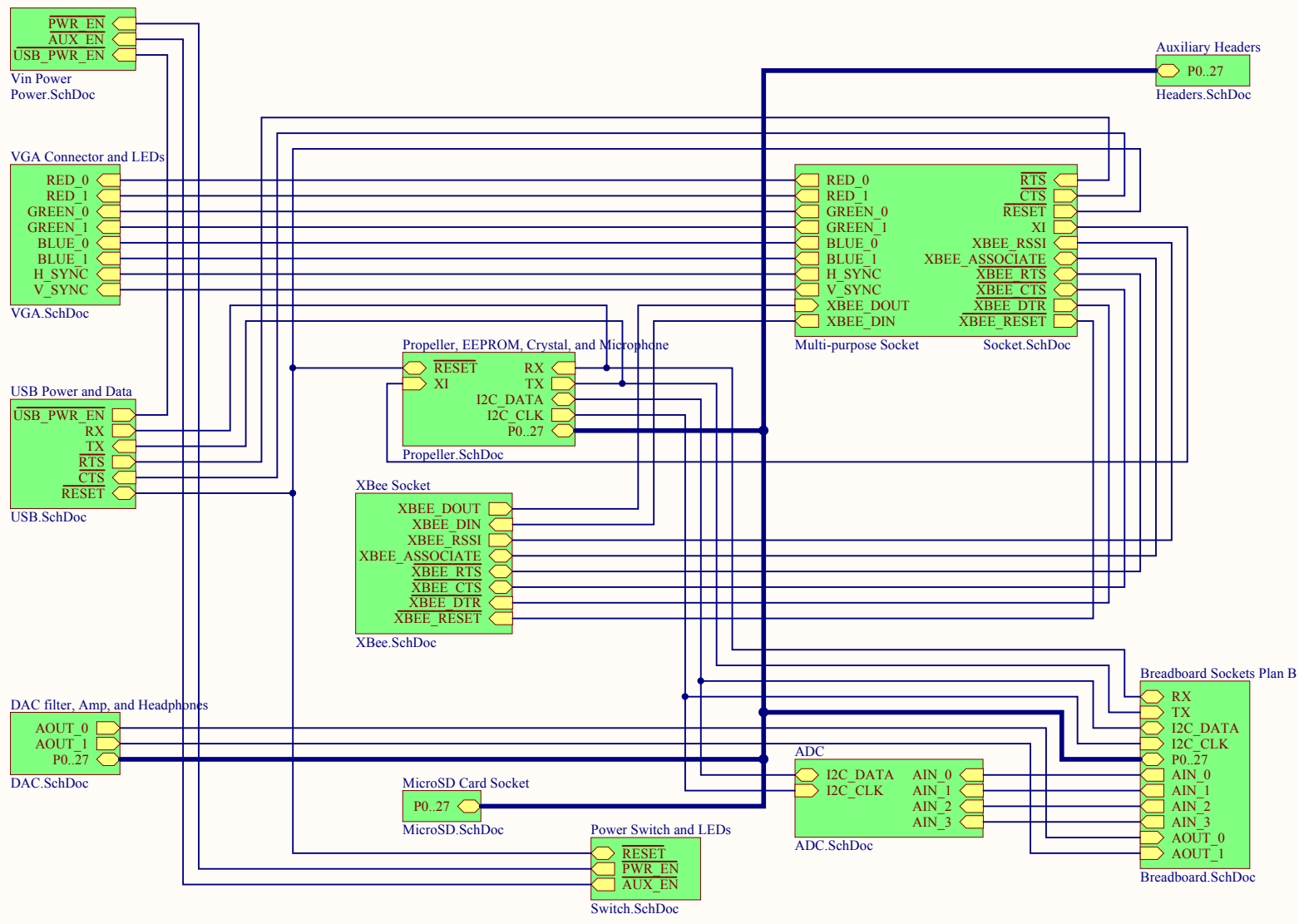
Title		
Size	Number	Revision
Letter		
Date:	2/10/2012	Sheet of
File:	L:\Products\...\Headers.SchDoc	Drawn By:



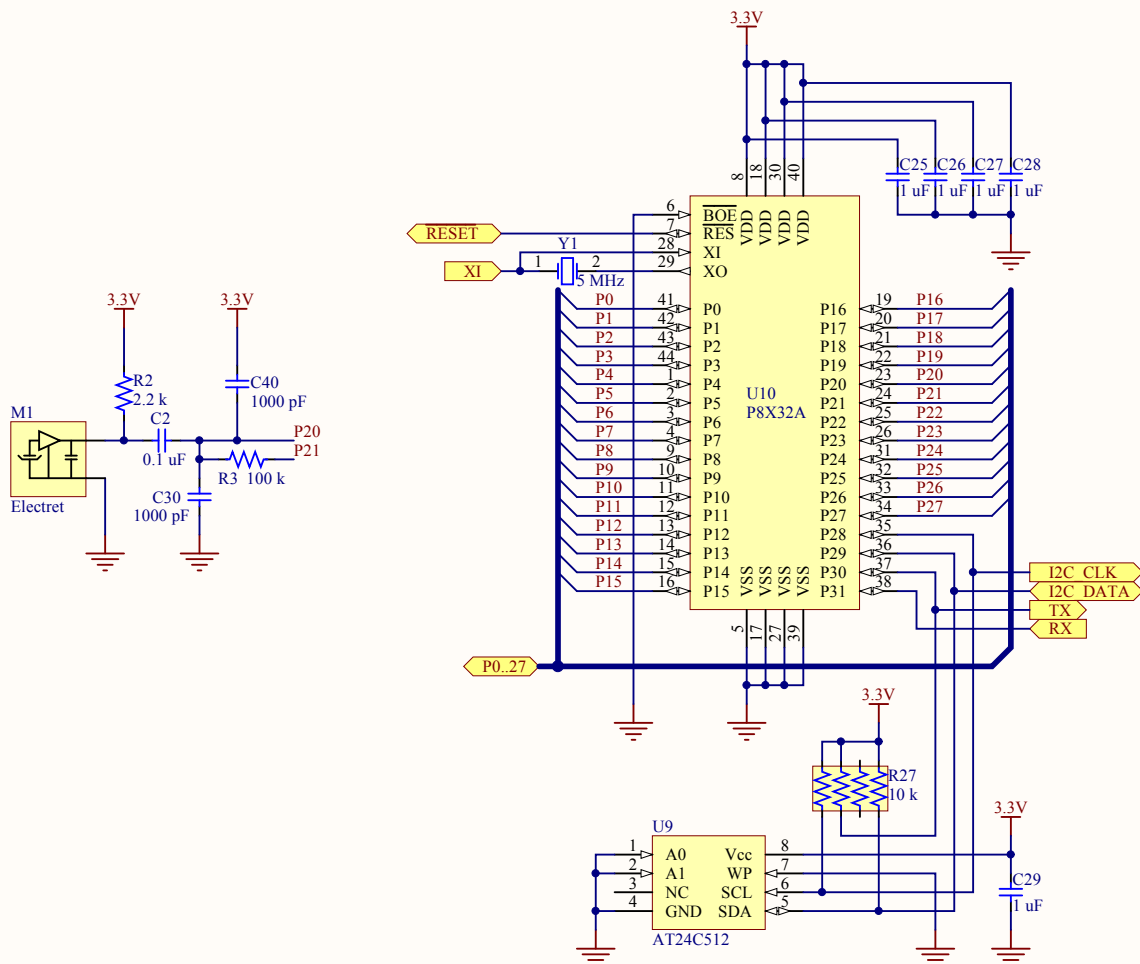
Title		
Size	Number	Revision
Letter		
Date:	2/10/2012	Sheet of
File:	L:\Products\...\MicroSD.SchDoc	Drawn By:



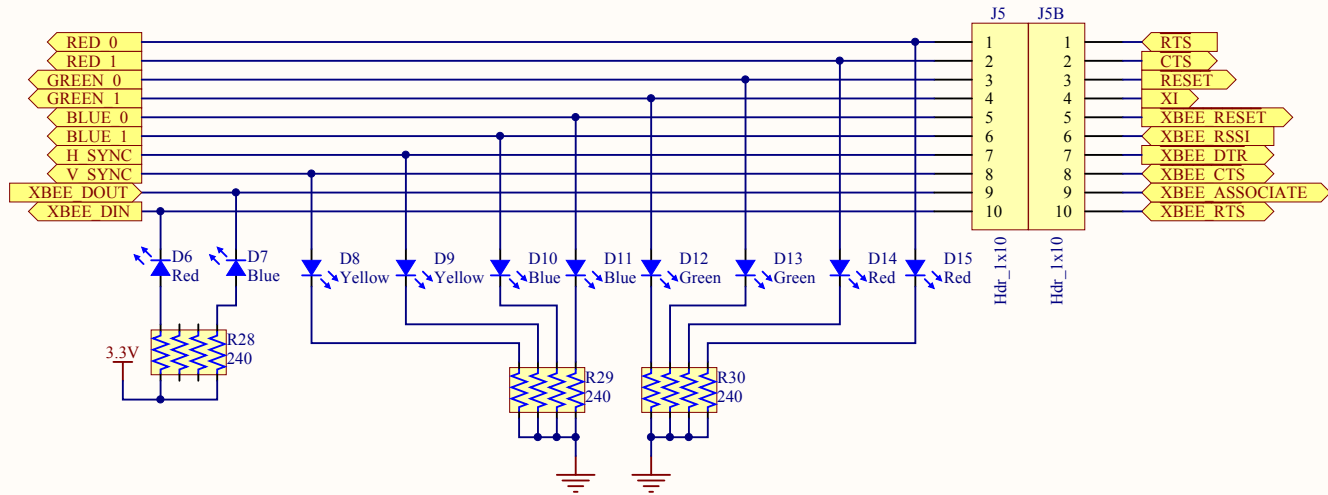
Title		
Size	Number	Revision
Letter		
Date:	2/10/2012	Sheet of
File:	L:\Products\...\Power.SchDoc	Drawn By:



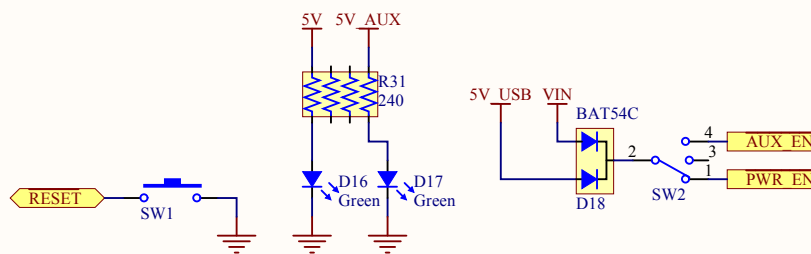
Title			
Schematic, PropBoe			
Size	Number	Revision	
Letter	550-32900	A	
Date:	2/10/2012	Sheet of	
File:	L:\Products\...\PropBOE.SchDoc	Drawn By:	



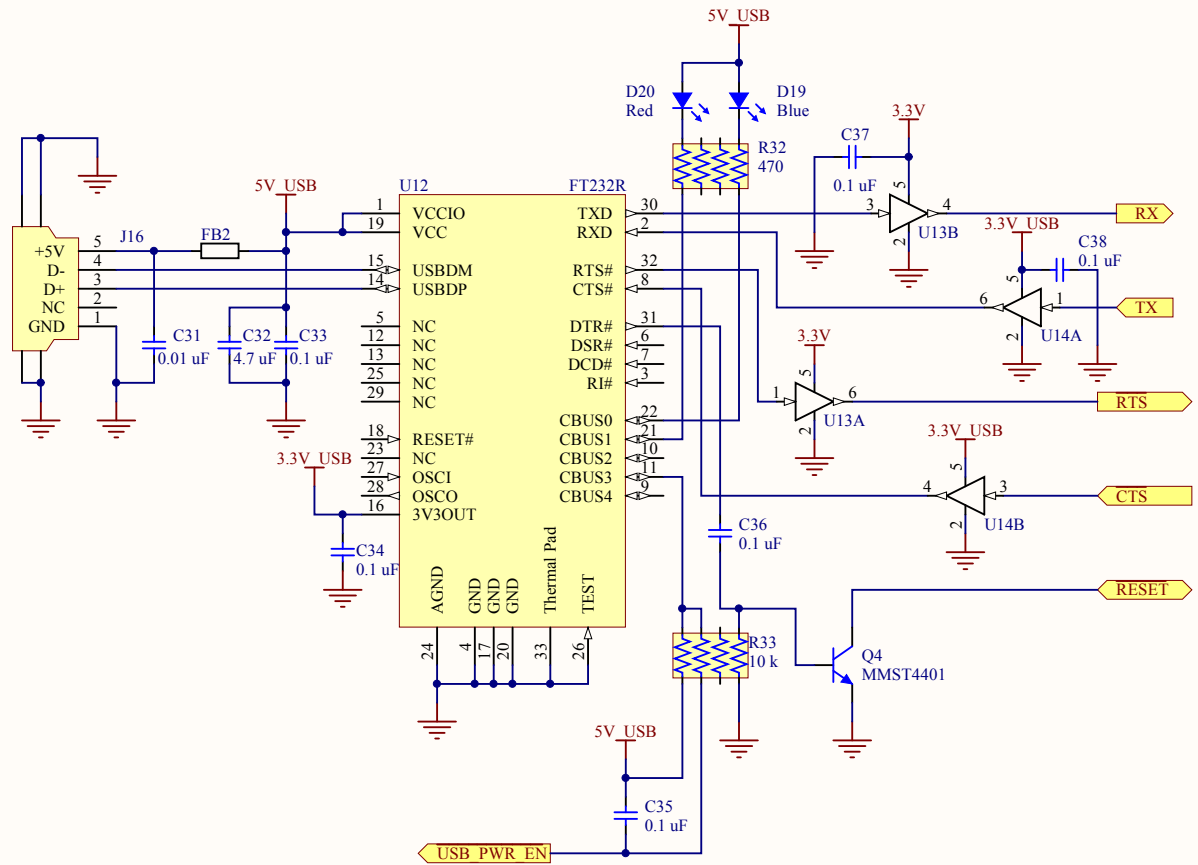
Title		
Size	Number	Revision
Letter		
Date:	2/10/2012	Sheet of
File:	L:\Products\...\Propeller.SchDoc	Drawn By:



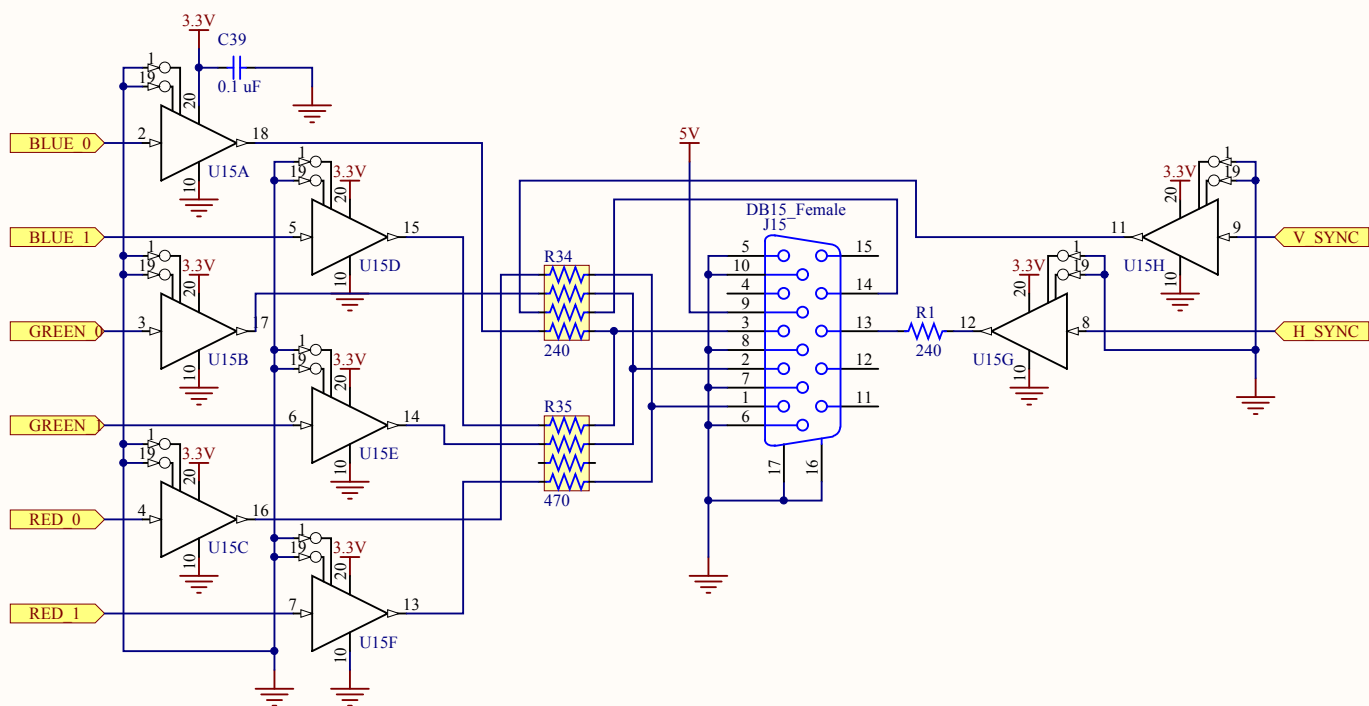
Title		
Size	Number	Revision
Letter		
Date:	2/10/2012	Sheet of
File:	L:\Products\...\Socket.SchDoc	Drawn By:



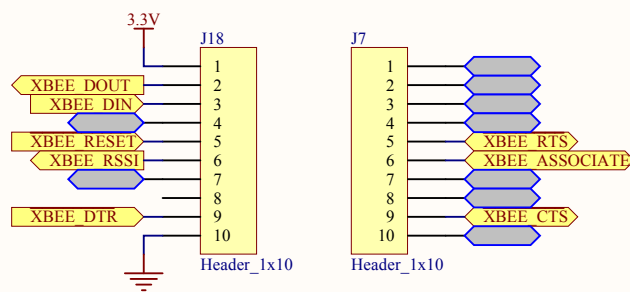
Title		
Size	Number	Revision
Letter		
Date:	2/10/2012	Sheet of
File:	L:\Products\...\Switch.SchDoc	Drawn By:



Title		
Size	Number	Revision
Letter		
Date:	2/10/2012	Sheet of
File:	L:\Products\...\USB.SchDoc	Drawn By:



Title		
Size	Number	Revision
Letter		
Date:	2/10/2012	Sheet of
File:	L:\Products\...\VGA.SchDoc	Drawn By:



Title		
Size	Number	Revision
Letter		
Date:	2/10/2012	Sheet of
File:	L:\Products\...\XBee.SchDoc	Drawn By: