

Use Blue Loctite Before installing.

ITEM NO.	DESCRIPTION	QT. Y.
1	Motor Main Body	1
2	Washer Propeller	1
3	10 Inch Propeller	1
4	Propeller Nut	1
5	Prop Adapter	1
6	Flat Head Screw	4
7	Set Screw	2



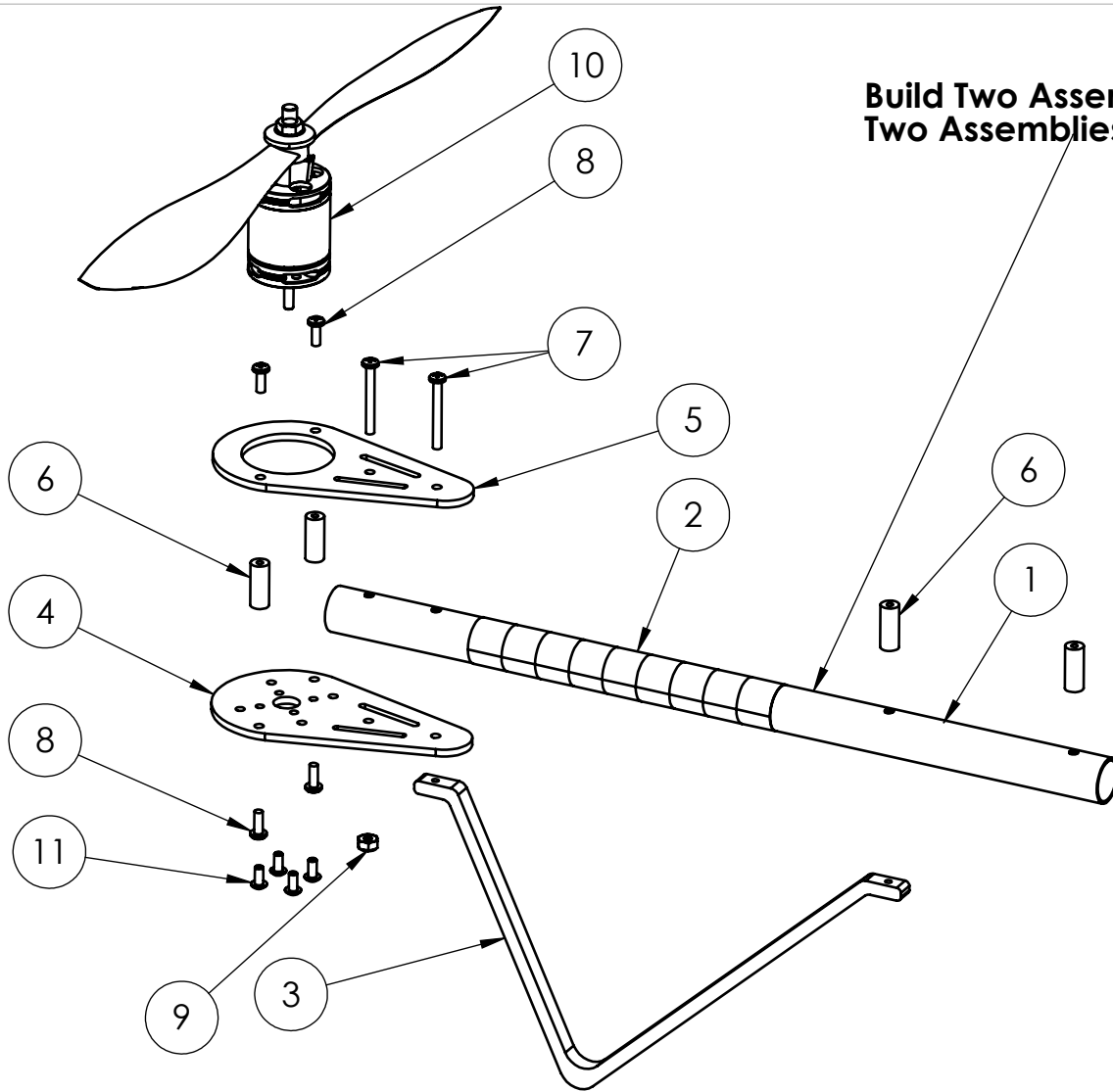
PROPRIETARY AND CONFIDENTIAL
 THE INFORMATION CONTAINED IN THIS DRAWING IS THE SOLE PROPERTY OF <INSERT COMPANY NAME HERE>. ANY REPRODUCTION IN PART OR AS A WHOLE WITHOUT THE WRITTEN PERMISSION OF <INSERT COMPANY NAME HERE> IS PROHIBITED.

		UNLESS OTHERWISE SPECIFIED:	NAME	DATE
		DIMENSIONS ARE IN INCHES	DRAWN	KO
		TOLERANCES:	CHECKED	12.08.11
		FRACTIONAL ±	ENG APPR.	
		ANGULAR: MACH ± BEND ±	MFG APPR.	
		TWO PLACE DECIMAL ±	Q.A.	
		THREE PLACE DECIMAL ±	COMMENTS:	
		INTERPRET GEOMETRIC TOLERANCING PER:		
		MATERIAL		
		FINISH		
NEXT ASSY	USED ON			
APPLICATION		DO NOT SCALE DRAWING		

TITLE:
Motor/Propeller Assy Exploded

SIZE	DWG. NO.	REV
A		2
SCALE: 1:5	WEIGHT:	SHEET 1 OF 1

Build Two Assemblies with Red Boom and Two Assemblies with Black Boom.



ITEM NO.	Description	Part Number	QTY.
1	Motor Boom		1
2	Checkered Pattern	TOPQ4111-30"	1
3	Landing Gear	721-80007	1
4	Motor Mount Bottom		1
5	Motor Mount top		1
6	Nylon Standoff 4-40 x 5/8	713-00043	4
7	Screw, 4-40, 1", panhead, stainless steel	710-00002	2
8	Screw, 4-40, 3/8", panhead, stainless steel	710-00036	4
9	Lock Nut 4-40 x 1/4	700-00024	1
10	Motor Assembly		1
11	Screw, 3mm x 6mm, 0.5 thread Black		4

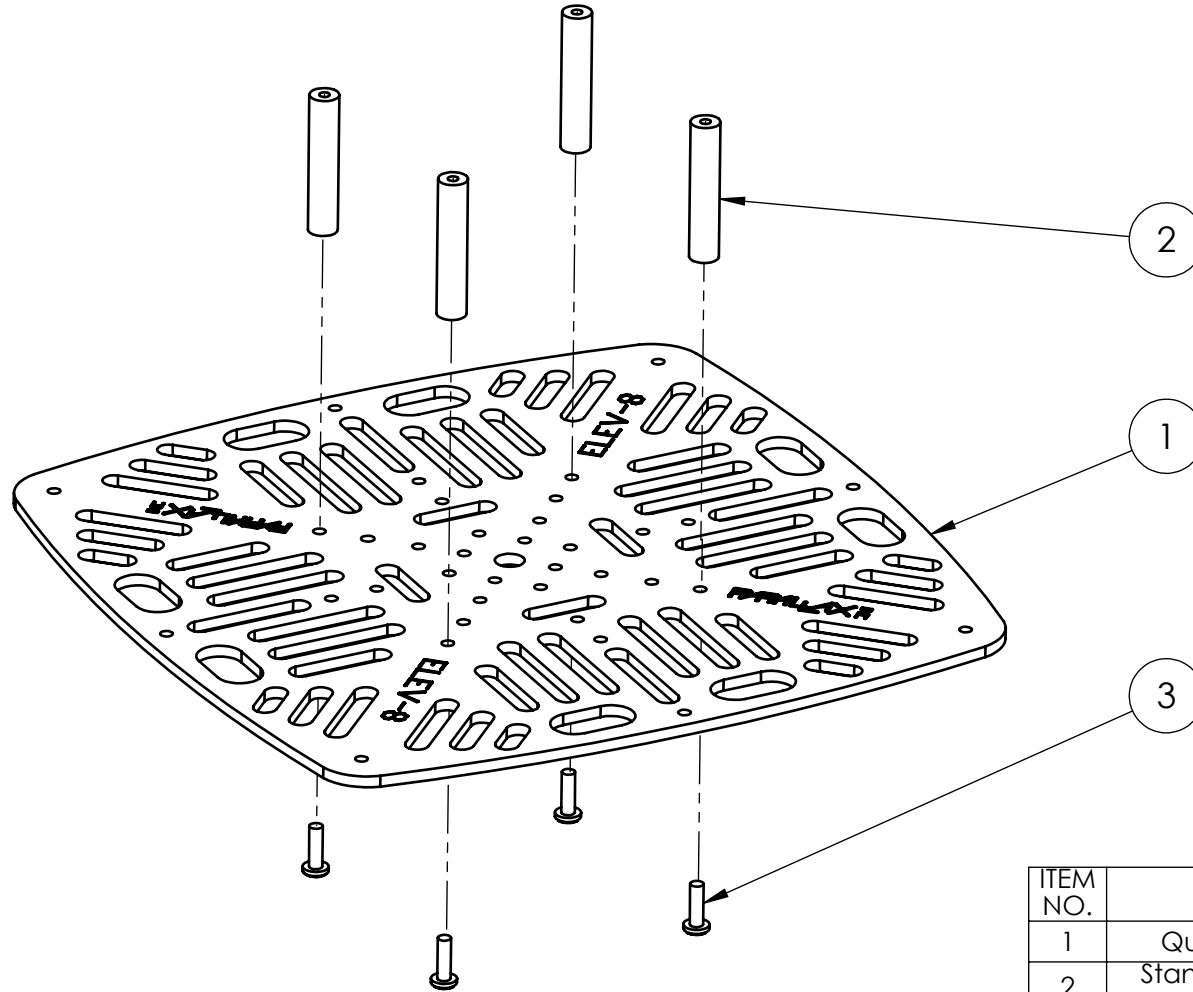


PROPRIETARY AND CONFIDENTIAL
 THE INFORMATION CONTAINED IN THIS DRAWING IS THE SOLE PROPERTY OF <INSERT COMPANY NAME HERE>. ANY REPRODUCTION IN PART OR AS A WHOLE WITHOUT THE WRITTEN PERMISSION OF <INSERT COMPANY NAME HERE> IS PROHIBITED.

		UNLESS OTHERWISE SPECIFIED:	NAME	DATE
		DIMENSIONS ARE IN INCHES	DRAWN	KO
		TOLERANCES:	CHECKED	01.16.12
		FRACTIONAL ±	ENG APPR.	
		ANGULAR: MACH ± BEND ±	MFG APPR.	
		TWO PLACE DECIMAL ±	Q.A.	
		THREE PLACE DECIMAL ±	COMMENTS:	
		INTERPRET GEOMETRIC TOLERANCING PER:		
		MATERIAL		
		FINISH		
NEXT ASSY	USED ON			
APPLICATION		DO NOT SCALE DRAWING		

TITLE:
Motor/Boom Assy

SIZE	DWG. NO.	REV
A		3
SCALE: 1:1	WEIGHT:	SHEET 1 OF 1



ITEM NO.	Description	Part Number	QTY.
1	Quad Chassis Plate	721-80003	1
2	Stand off nylon, 1-1/4", Thread	713-00025	4
3	Screw 4-40 3/8 Panhead stainless steel	713-00036	4

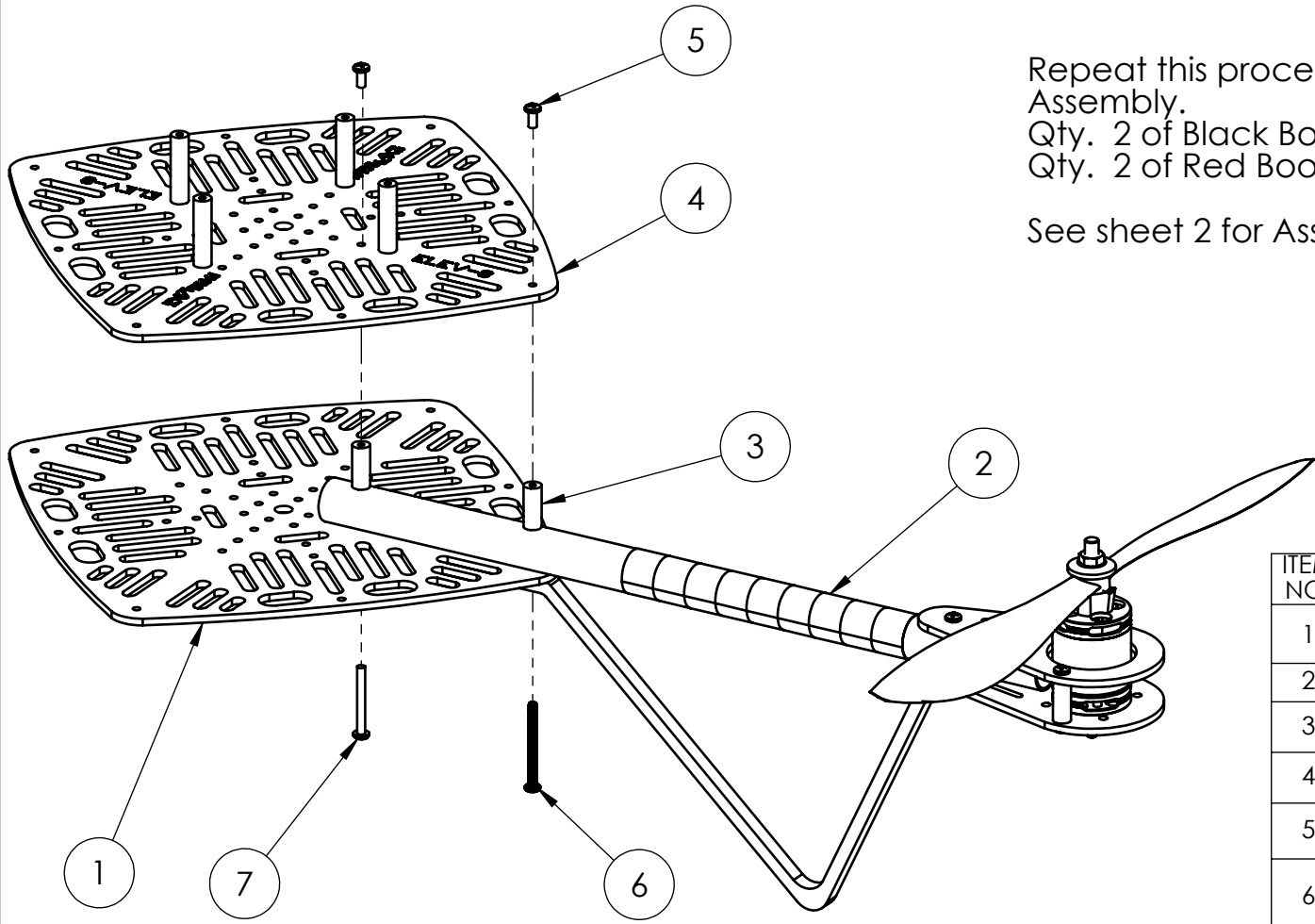


PROPRIETARY AND CONFIDENTIAL
 THE INFORMATION CONTAINED IN THIS DRAWING IS THE SOLE PROPERTY OF <INSERT COMPANY NAME HERE>. ANY REPRODUCTION IN PART OR AS A WHOLE WITHOUT THE WRITTEN PERMISSION OF <INSERT COMPANY NAME HERE> IS PROHIBITED.

		UNLESS OTHERWISE SPECIFIED:	NAME	DATE
		DIMENSIONS ARE IN INCHES	DRAWN	KO 12.09.11
		TOLERANCES:	CHECKED	
		FRACTIONAL ±	ENG APPR.	
		ANGULAR: MACH ± BEND ±	MFG APPR.	
		TWO PLACE DECIMAL ±	Q.A.	
		THREE PLACE DECIMAL ±	COMMENTS:	
		INTERPRET GEOMETRIC TOLERANCING PER:		
		MATERIAL		
NEXT ASSY	USED ON	FINISH		
APPLICATION		DO NOT SCALE DRAWING		

TITLE:
 Assembly of
 Top Chassis Plate
 W/ Stand offs

SIZE A	DWG. NO.	REV 1
SCALE: 1:1	WEIGHT:	SHEET 1 OF 1



Repeat this process for each Boom Arm Assembly.

Qty. 2 of Black Boom Arm Assembly.
Qty. 2 of Red Boom Arm Assembly.

See sheet 2 for Assembly of Boom Arms

ITEM NO.	Description	Part Number	QTY.
1	Quad Chassis Plate	721-80004	1
2	Motor/Boom Assy		1
3	Stand off, Nylon, 5/8, 4-40 screw size	713-00043	4
4	Assy Quad Chassis Top		1
5	Screw, 4-40, 3/8", panhead, SS steel	710-00036	2
6	Screw, 4-40, 1-1/4", panhead, SS steel	710-00042	1
7	Screw, 4-40, 1", panhead, SS steel	710-00002	1

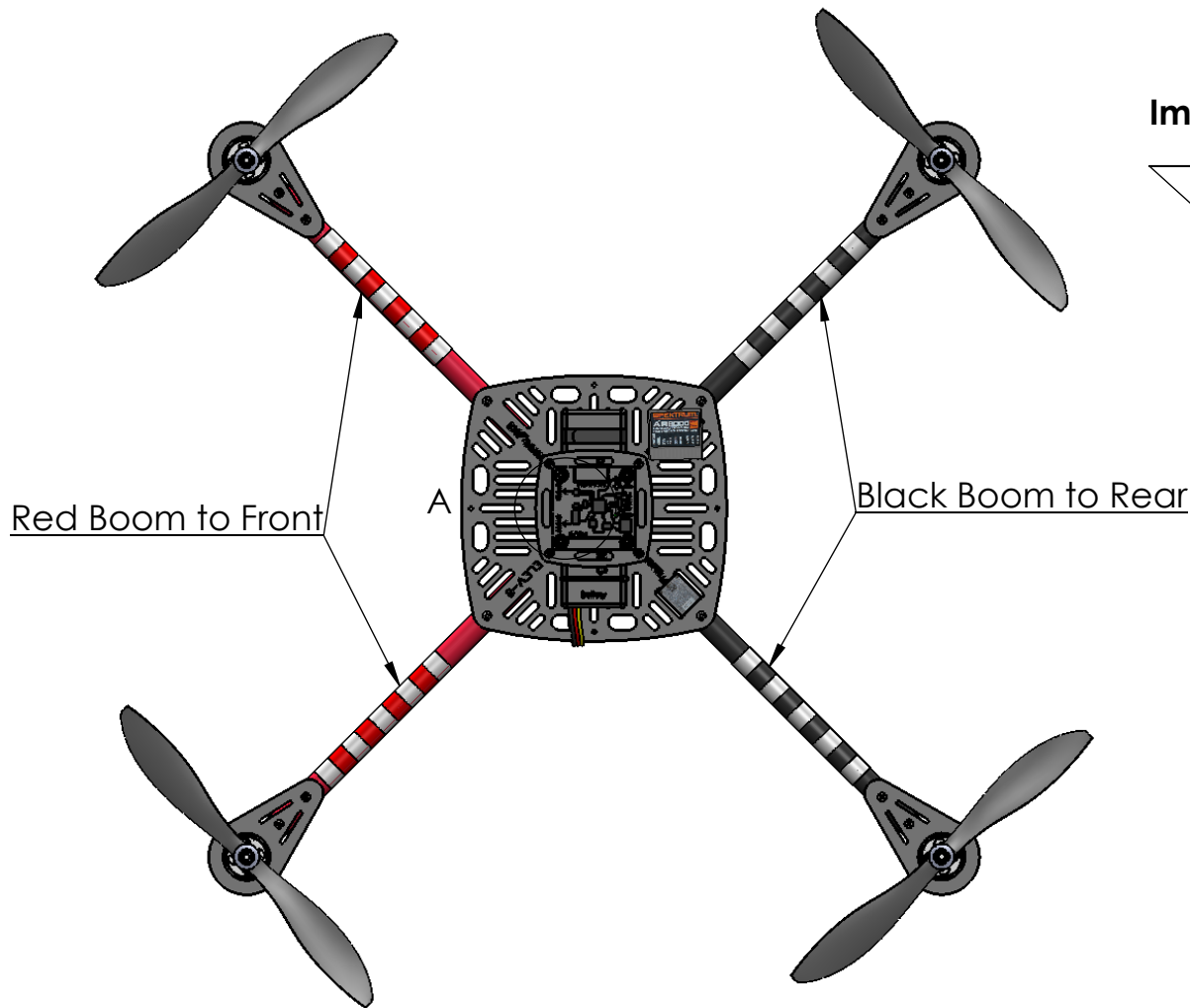


PROPRIETARY AND CONFIDENTIAL
THE INFORMATION CONTAINED IN THIS DRAWING IS THE SOLE PROPERTY OF <INSERT COMPANY NAME HERE>. ANY REPRODUCTION IN PART OR AS A WHOLE WITHOUT THE WRITTEN PERMISSION OF <INSERT COMPANY NAME HERE> IS PROHIBITED.

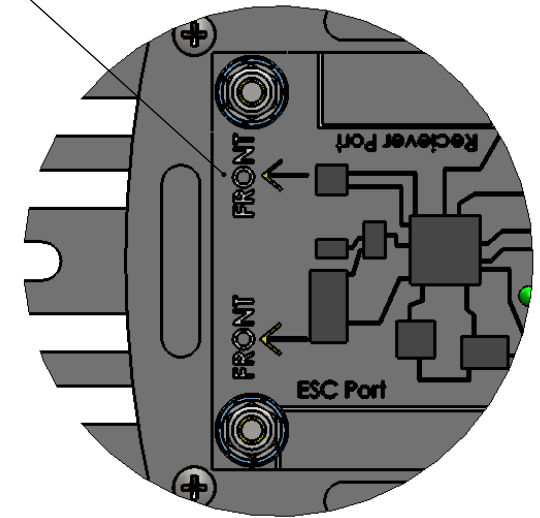
		UNLESS OTHERWISE SPECIFIED:		NAME	DATE
		DIMENSIONS ARE IN INCHES	DRAWN	KO	01.17.12
		TOLERANCES:	CHECKED		
		FRACTIONAL ±	ENG APPR.		
		ANGULAR: MACH ± BEND ±	MFG APPR.		
		TWO PLACE DECIMAL ±	Q.A.		
		THREE PLACE DECIMAL ±	COMMENTS:		
		INTERPRET GEOMETRIC TOLERANCING PER:			
		MATERIAL			
NEXT ASSY	USED ON	FINISH			
		APPLICATION			
		DO NOT SCALE DRAWING			

TITLE:
Assy of Boom Arms to Chassis Plates

SIZE	DWG. NO.	REV
A		3
SCALE: 1:1	WEIGHT:	SHEET 1 OF 2



Important! HoverFly Sport Board Must Point to the Front.

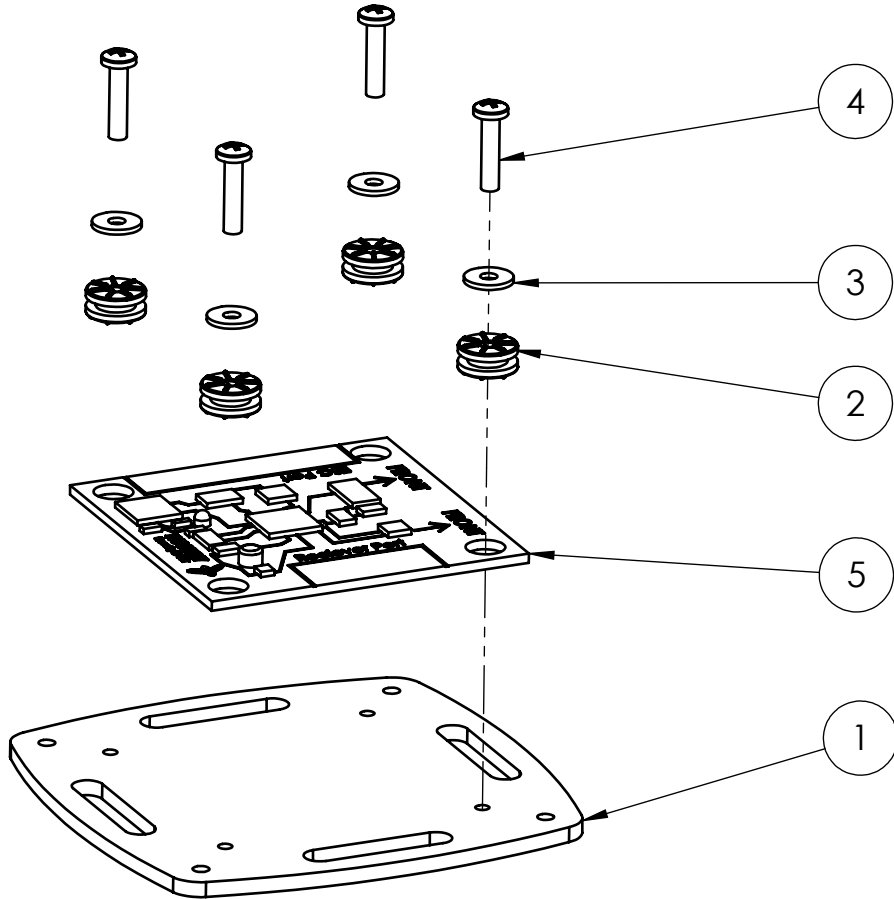


DETAIL A
SCALE 1 : 1

PROPRIETARY AND CONFIDENTIAL
THE INFORMATION CONTAINED IN THIS DRAWING IS THE SOLE PROPERTY OF <INSERT COMPANY NAME HERE>. ANY REPRODUCTION IN PART OR AS A WHOLE WITHOUT THE WRITTEN PERMISSION OF <INSERT COMPANY NAME HERE> IS PROHIBITED.

		UNLESS OTHERWISE SPECIFIED:		NAME	DATE
		DIMENSIONS ARE IN INCHES	DRAWN		
		TOLERANCES:	CHECKED		
		FRACTIONAL ±	ENG APPR.		
		ANGULAR: MACH ± BEND ±	MFG APPR.		
		TWO PLACE DECIMAL ±	Q.A.		
		THREE PLACE DECIMAL ±	COMMENTS:		
		INTERPRET GEOMETRIC TOLERANCING PER:			
		MATERIAL			
		FINISH			
NEXT ASSY	USED ON				
APPLICATION		DO NOT SCALE DRAWING			

TITLE:		
<h1>Assembly of Boom Arms</h1>		
SIZE	DWG. NO.	REV
A		
SCALE: 1:10	WEIGHT:	SHEET 2 OF 2



ITEM NO.	Description	Part Number	QTY.
1	ELEV-8 Control Board Mount Plate Assy	721-80002	1
2	Rubber Grommet		4
3	# 4 SS Steel Washer		4
4	Screw, 4-40, 1/2", panhead, stainless steel	710-00006	4
5	Hoverfly Sport Board	31500	1

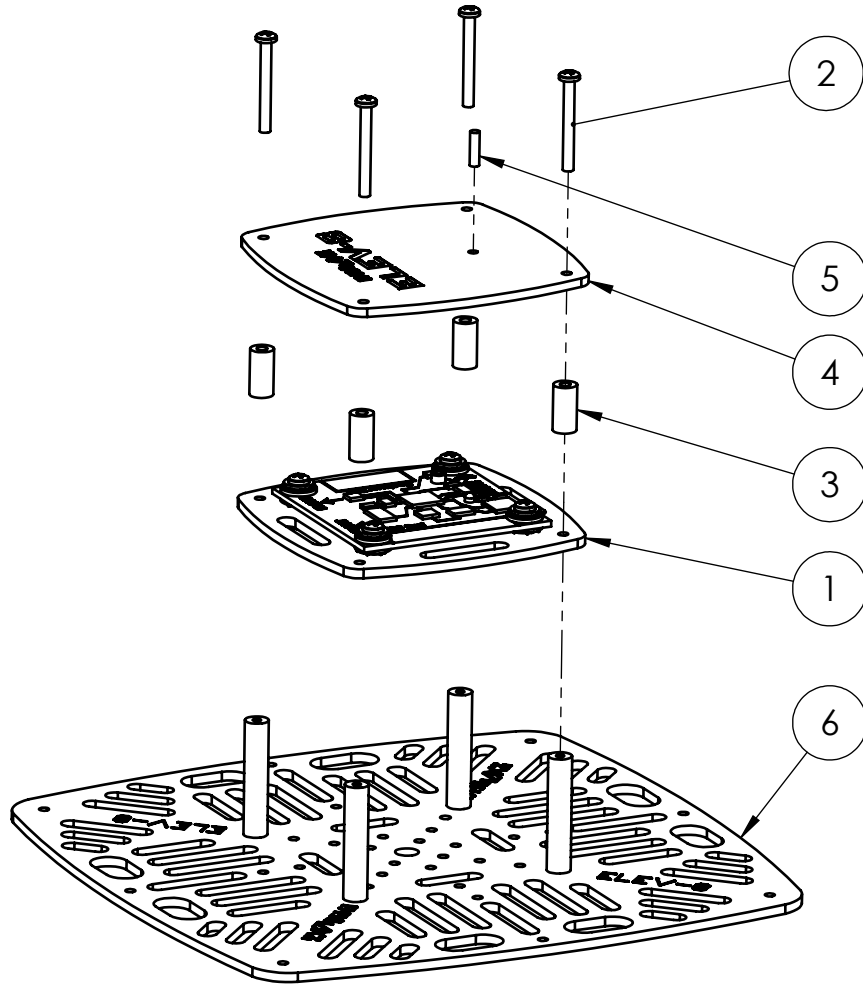


PROPRIETARY AND CONFIDENTIAL
 THE INFORMATION CONTAINED IN THIS DRAWING IS THE SOLE PROPERTY OF <INSERT COMPANY NAME HERE>. ANY REPRODUCTION IN PART OR AS A WHOLE WITHOUT THE WRITTEN PERMISSION OF <INSERT COMPANY NAME HERE> IS PROHIBITED.

		UNLESS OTHERWISE SPECIFIED:	NAME	DATE
		DIMENSIONS ARE IN INCHES	DRAWN	KO
		TOLERANCES:	CHECKED	01.16.12
		FRACTIONAL ±	ENG APPR.	
		ANGULAR: MACH ± BEND ±	MFG APPR.	
		TWO PLACE DECIMAL ±	Q.A.	
		THREE PLACE DECIMAL ±	COMMENTS:	
		INTERPRET GEOMETRIC TOLERANCING PER:		
		MATERIAL		
NEXT ASSY	USED ON	FINISH		
APPLICATION		DO NOT SCALE DRAWING		

TITLE: Assembly of Control Board Mt. Plate and HoverFly Sport Board

SIZE **A** DWG. NO. REV **3**
 SCALE: 1:1 WEIGHT: SHEET 1 OF 1



Note: #7, Light Tube comes 5/8" long.
Cut to length needed

ITEM NO.	Description	Part Number	QTY.
1	ELEV-8 Control Board Mount Plate Assy		1
2	Screw, 4-40, 1", panhead, stainless steel	710-00002	4
3	Spacer, nylon, 1/2", 4-40 screw size	713-00005	4
4	ELEV-8 Control Board Top Plate		1
5	light tube	720-28001	1
6	Assy Quad Chassis Top		1



PROPRIETARY AND CONFIDENTIAL
THE INFORMATION CONTAINED IN THIS DRAWING IS THE SOLE PROPERTY OF <INSERT COMPANY NAME HERE>. ANY REPRODUCTION IN PART OR AS A WHOLE WITHOUT THE WRITTEN PERMISSION OF <INSERT COMPANY NAME HERE> IS PROHIBITED.

		UNLESS OTHERWISE SPECIFIED:	NAME	DATE
		DIMENSIONS ARE IN INCHES	DRAWN	KO 01.16.12
		TOLERANCES:	CHECKED	
		FRACTIONAL ±	ENG APPR.	
		ANGULAR: MACH ± BEND ±	MFG APPR.	
		TWO PLACE DECIMAL ±	Q.A.	
		THREE PLACE DECIMAL ±	COMMENTS:	
		INTERPRET GEOMETRIC TOLERANCING PER:		
		MATERIAL		
NEXT ASSY	USED ON	FINISH		
APPLICATION		DO NOT SCALE DRAWING		

TITLE:
**Control Board Assy
And
Chassis Top Plate Assy**

SIZE **A** DWG. NO. REV **3**

SCALE: 1:1 WEIGHT: SHEET 1 OF 1