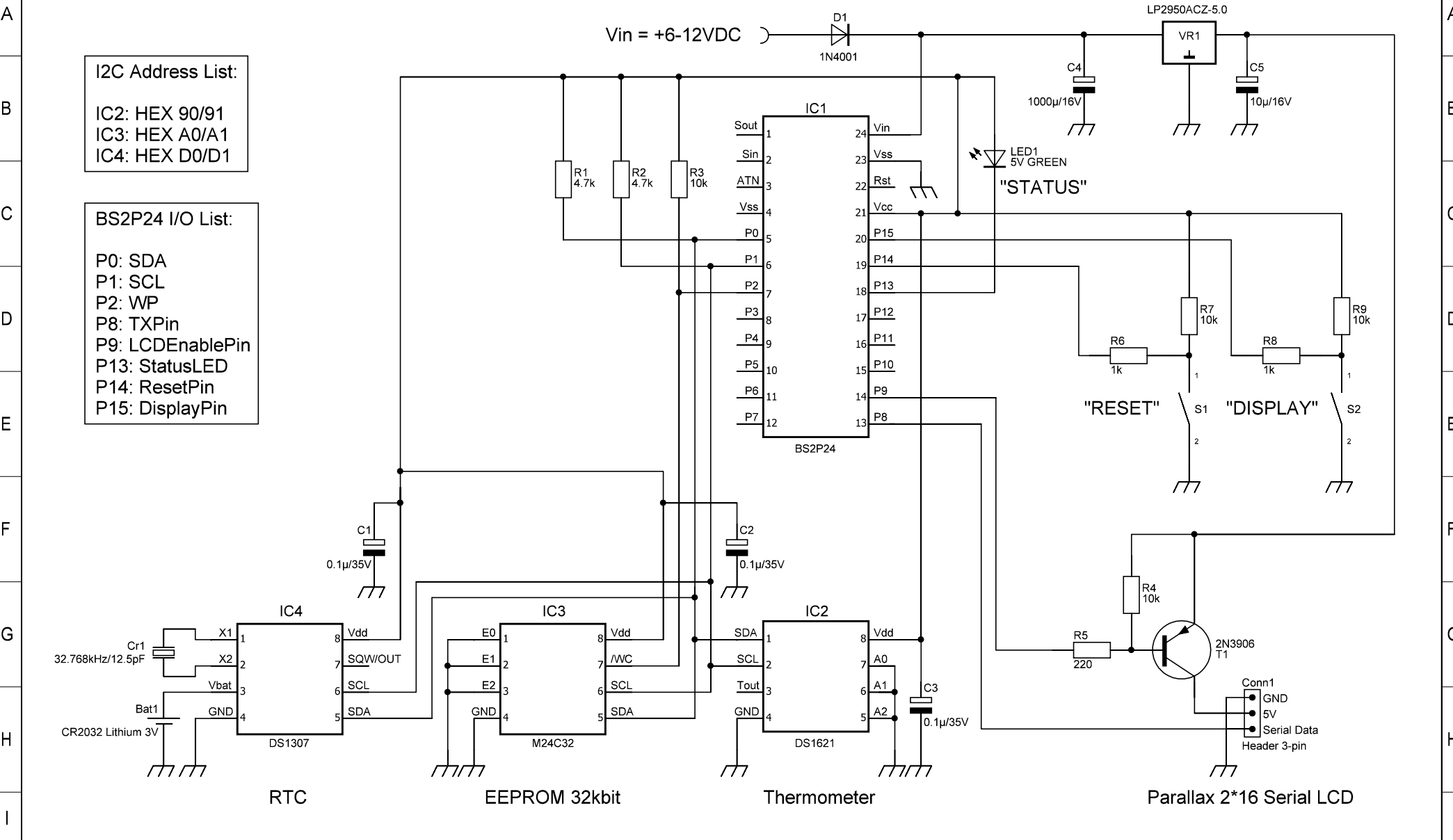


1 2 3 4 5 6 7 8 9 10 11 12 13 14



I2C Address List:
 IC2: HEX 90/91
 IC3: HEX A0/A1
 IC4: HEX D0/D1

BS2P24 I/O List:
 P0: SDA
 P1: SCL
 P2: WP
 P8: TXPin
 P9: LCDEnablePin
 P13: StatusLED
 P14: ResetPin
 P15: DisplayPin

Modifications

Date	Name	Date	Name
23 Aug. 2011	Lars Andersson		

Description	Page
BS2P24 TemperatureLogger v.1.0	1
Schematic no.	of 1