

Stepping Motors

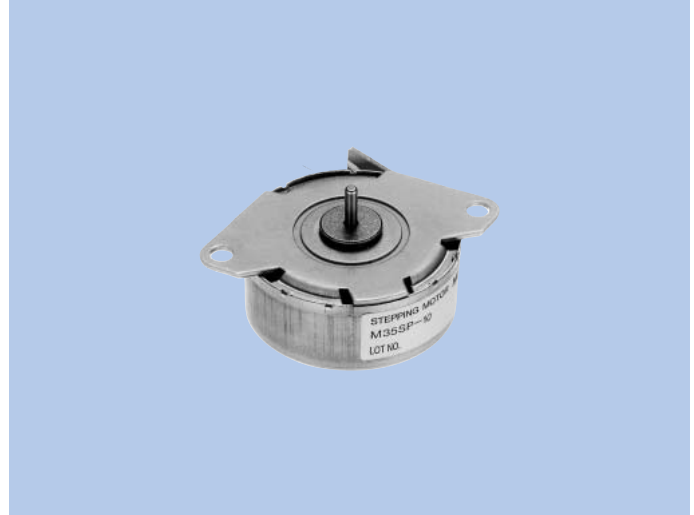
M35SP-9, -10N

OUTLINE

"M35SP-9" with 7.5° and "M35SP-10N" with 3.75° of step angle which belongs to the 35mm outer diameter model series.

Output torque characteristics—holding torque : 51.9mN·m, pull-out torque : 35.8mN·m/200pps, and pull-in torque : 35.3mN·m/200pps (12V DC).

With these torques this motor materializes an excellent size performance.



FEATURES

1. Compact size and high output torque.
2. Superior running quietness and stability.
3. Step angle: 7.5° (M35SP-9) 3.75° (M35SP-10N).
4. Excellent responsiveness acquired.

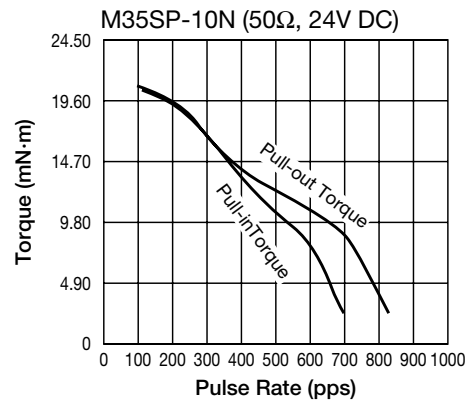
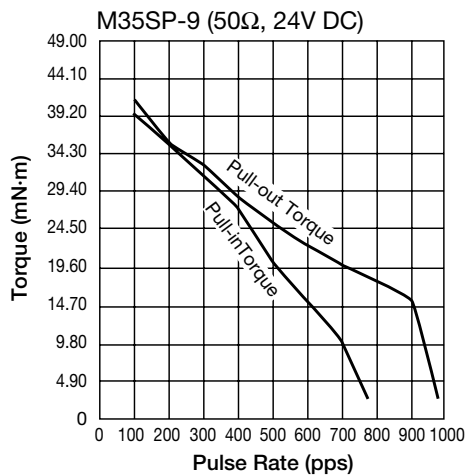
USES

Printers, multifunction machines, copy machines, FAX, and such.

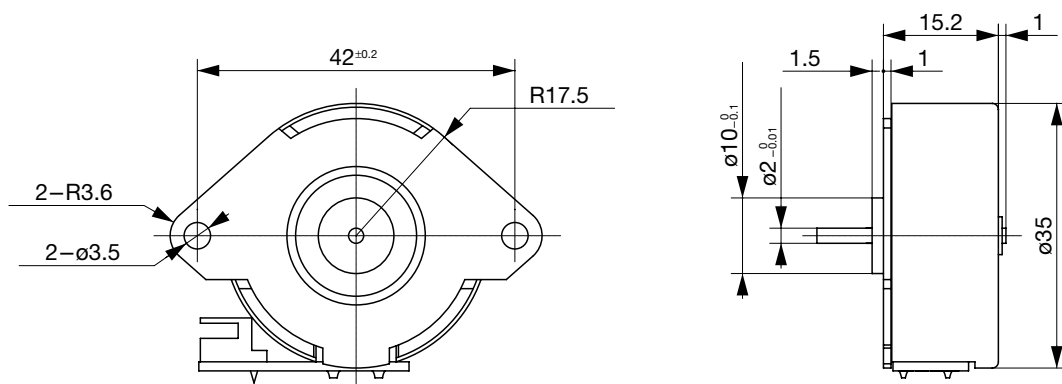
SPECIFICATIONS

Items	M35SP-9	M35SP-10N
Rated Voltage	DC 24V	
Working Voltage	DC 21.6~26.4V	
Rated Current / Phase	517mA max.	
No. of Phase	4 Phase	
Coil DC Resistance	50Ω/phase±7%	
Step Angle	7.5°/step	3.75°/step
Excitation Method	2-2 Phase excitation (Unipolar driving)	
Insulation Class	Class E insulation	
Holding Torque	51.9mN·m	26.5mN·m
Pull-out Torque	35.8mN·m/200pps	13.7mN·m/400pps
Pull-in Torque	35.3mN·m/200pps	13.2mN·m/400pps
Max. Pull-out Pulse Rate	970pps	880pps
Max. Pull-in Pulse Rate	740pps	770pps

CHARACTERISTICS



DIMENSIONS



Unit : mm, General tolerance : ±0.5