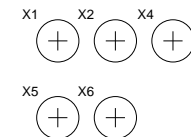
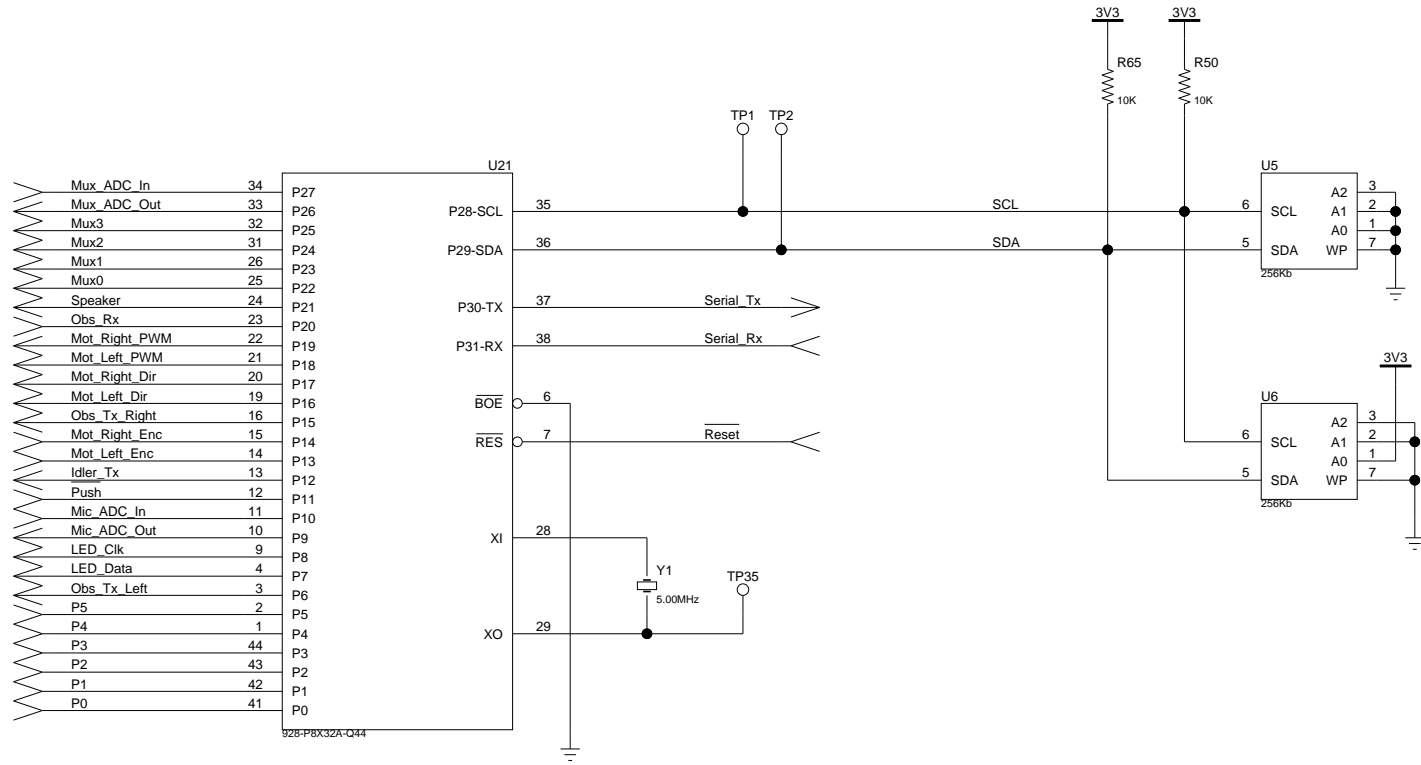
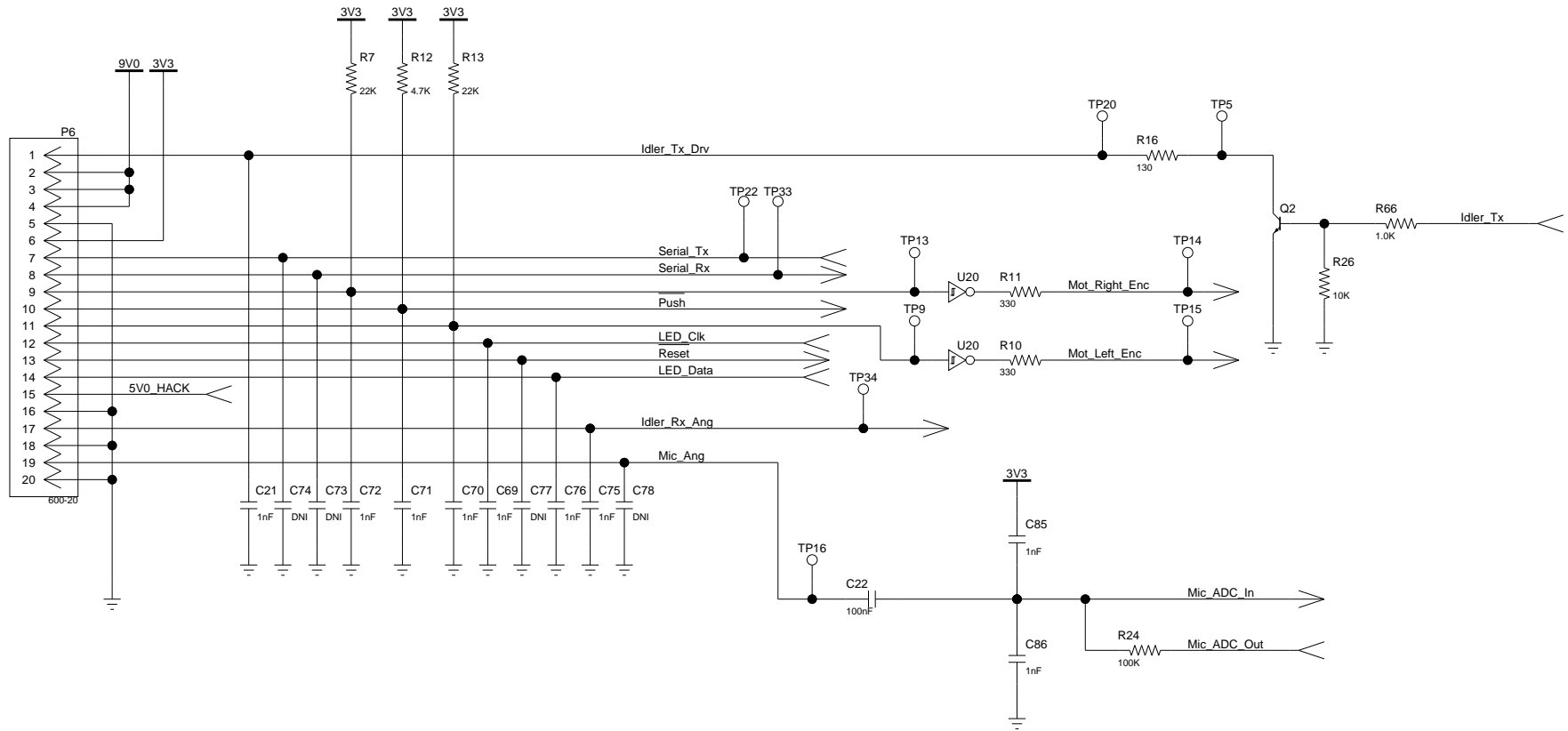


Main PCB



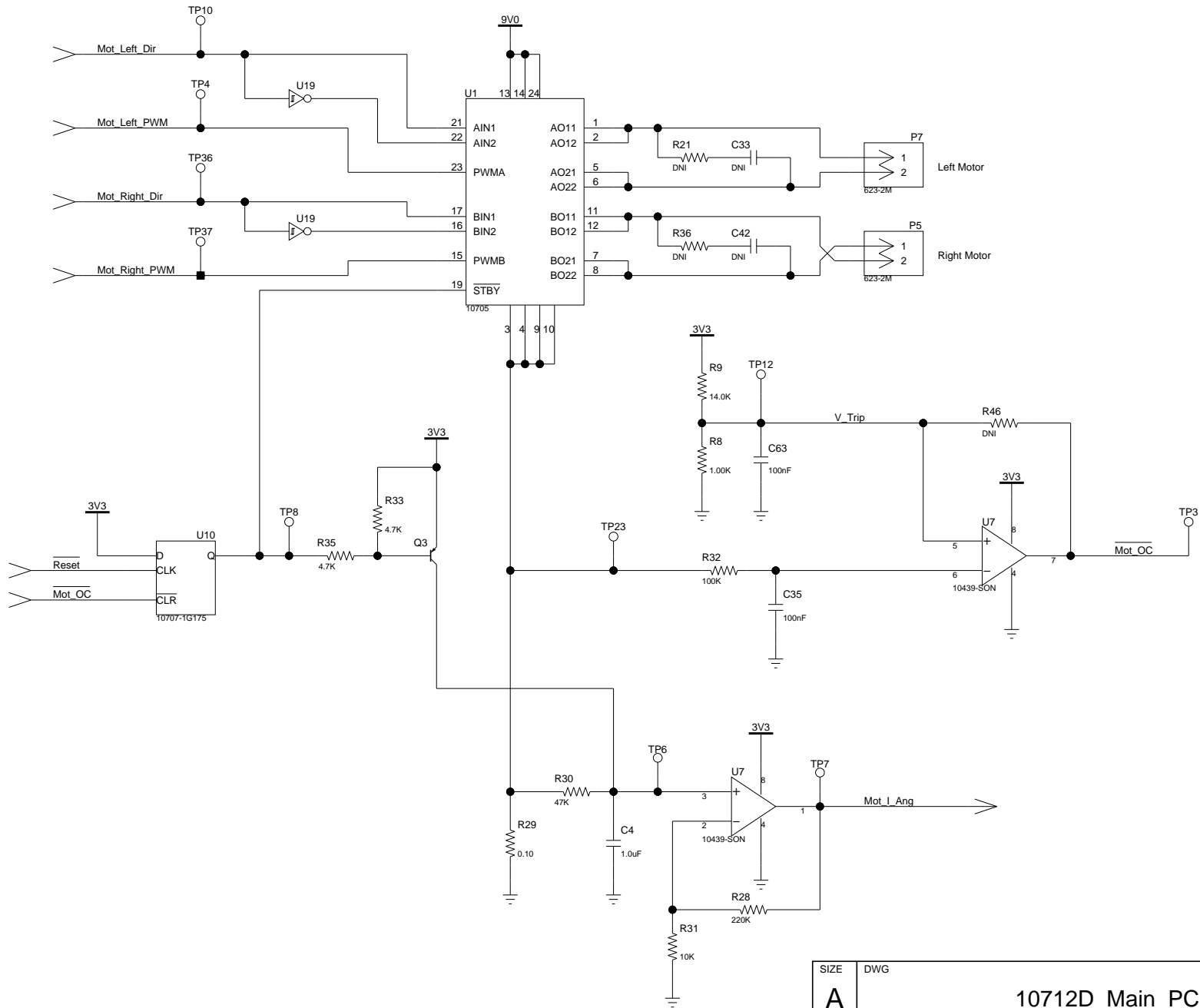
SIZE	DWG	10712D_Main_PCB	
A			
DRAWN BY	SHEET	OF	PROJECT
B. WIRZ	1	8	SCRIBBLER2

Back Board Interface



SIZE	DWG	10712D_Main_PCB		PROJECT	SCRIBBLER2
A					
DRAWN BY	SHEET	OF	PROJECT		
B. WIRZ	2	8	SCRIBBLER2		

Motor Driver



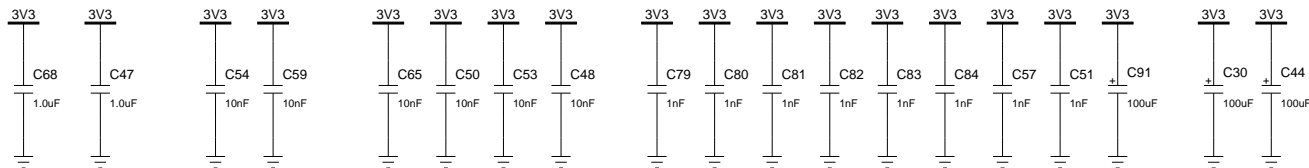
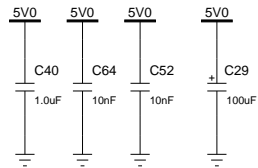
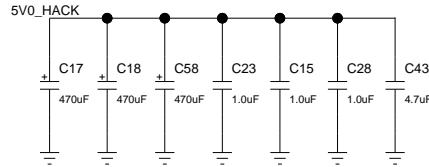
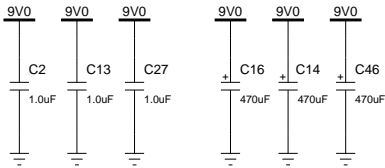
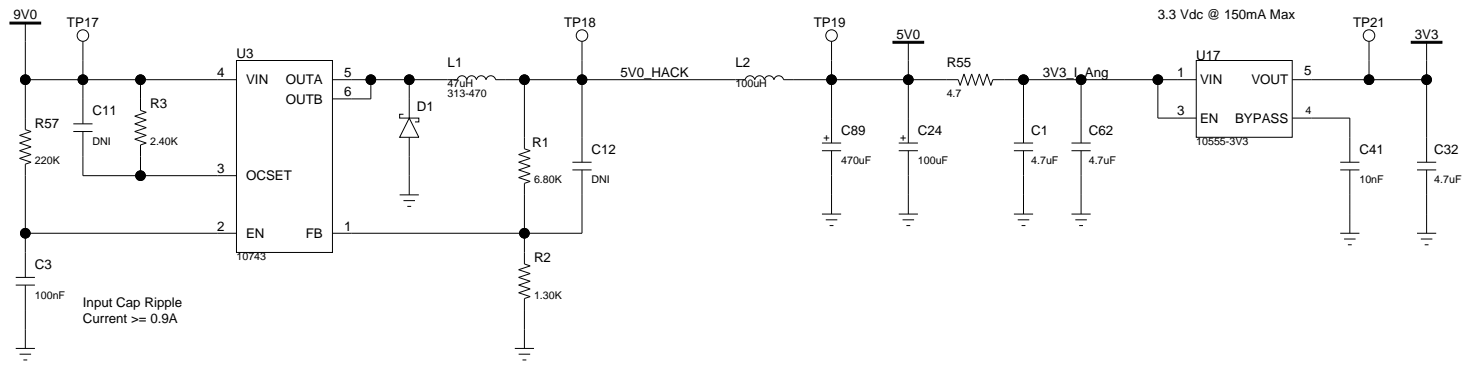
SIZE	DWG	10712D_Main_PCB	
A			
DRAWN BY	SHEET	OF	PROJECT
B. WIRZ	3	8	SCRIBBLER2

Power Supply

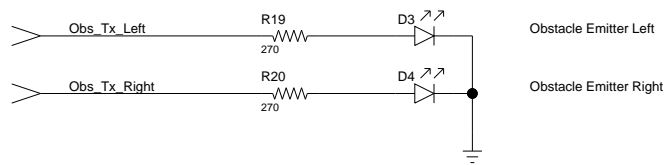
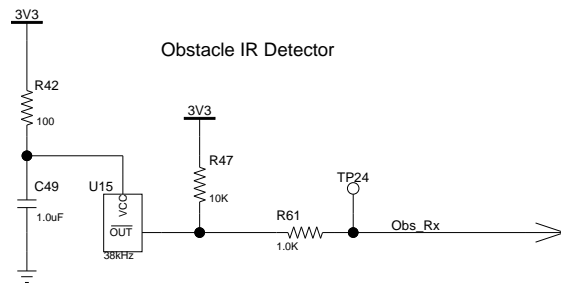
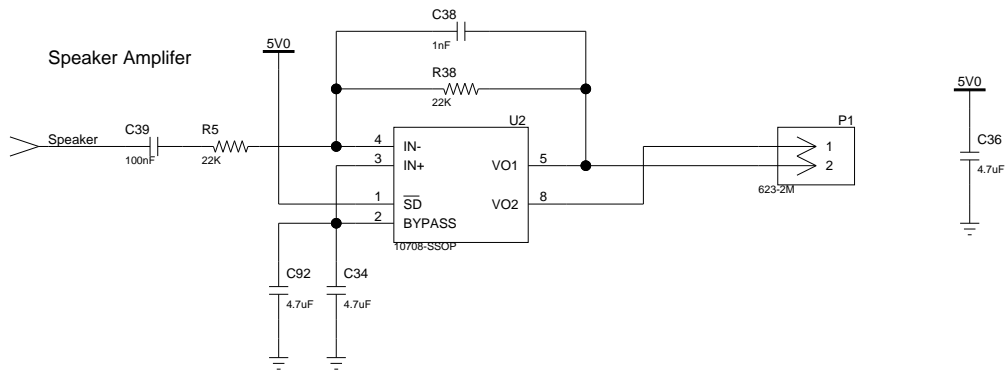
300kHz Switching Regulator
5.0 Vdc @ 1,800mA Max

Output Cap
ESR <= 0.19 Ohm

3.3 Vdc @ 150mA Max

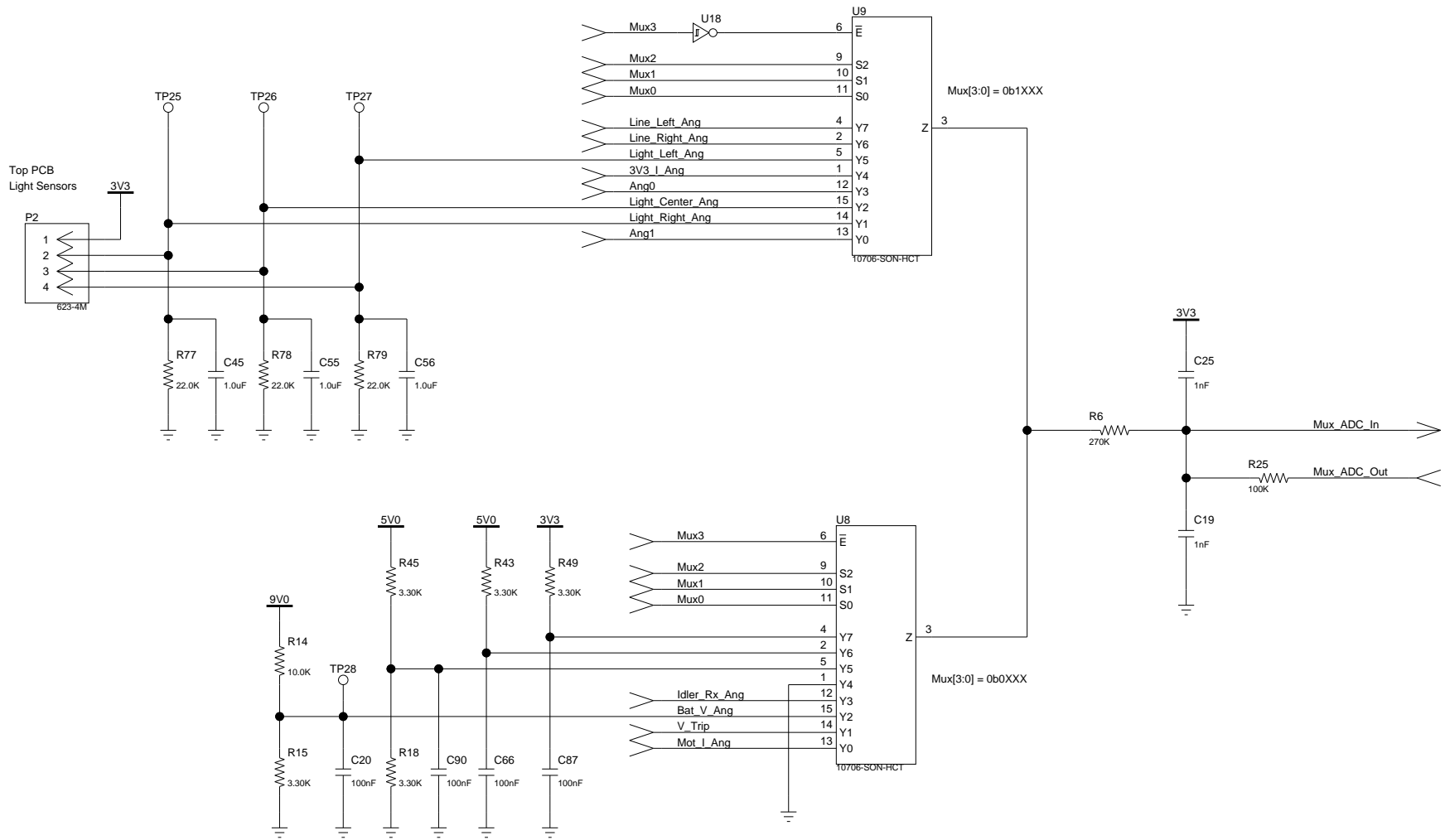


SIZE	DWG	10712D_Main_PCB	
A			
DRAWN BY B. WIRZ		SHEET OF 4 8	PROJECT SCRIBBLER2



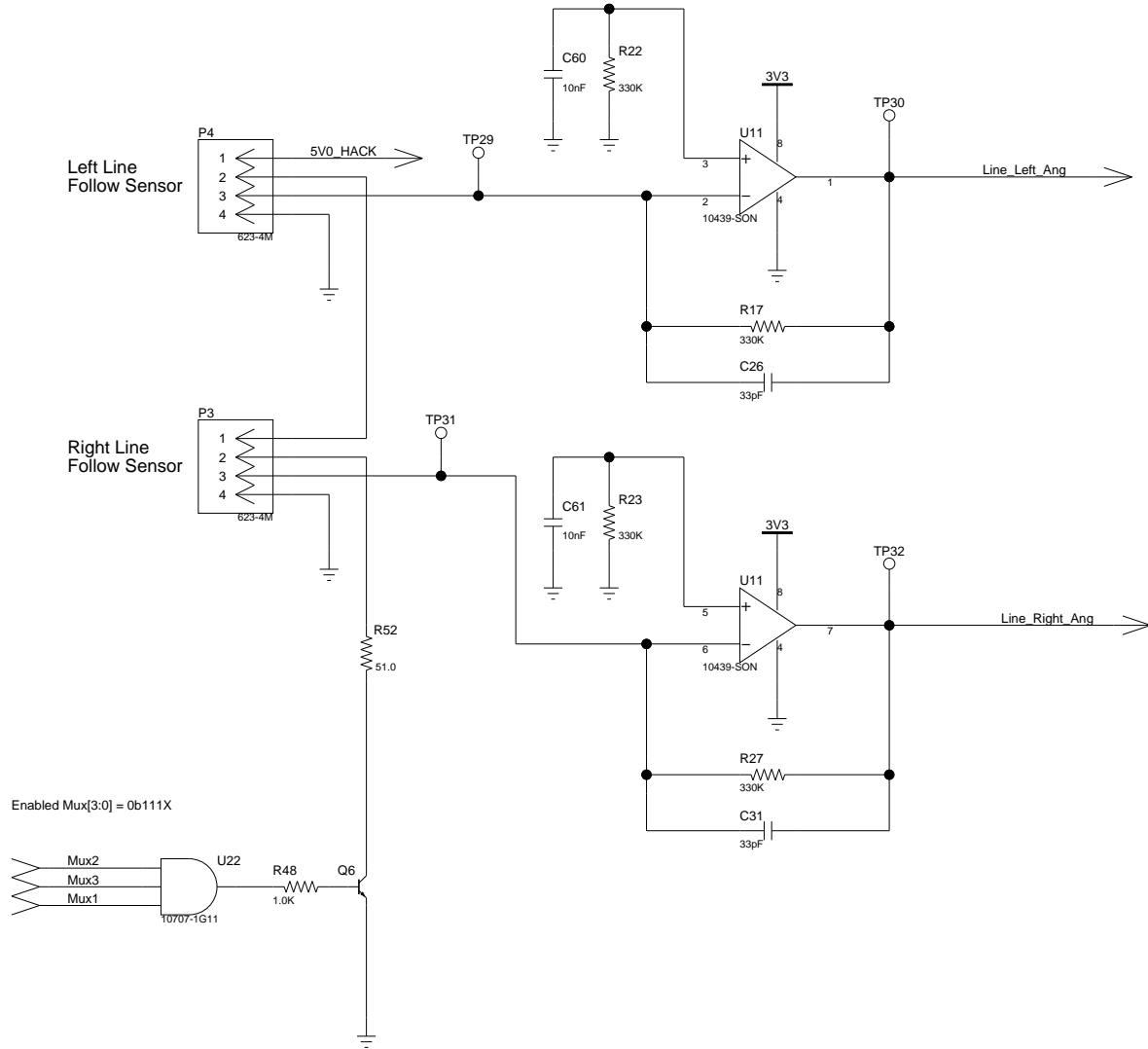
SIZE	DWG	10712D_Main_PCB	
A			
DRAWN BY B. WIRZ		SHEET OF 5 8	PROJECT SCRIBBLER2

16 Channel Sigma Delta ADC



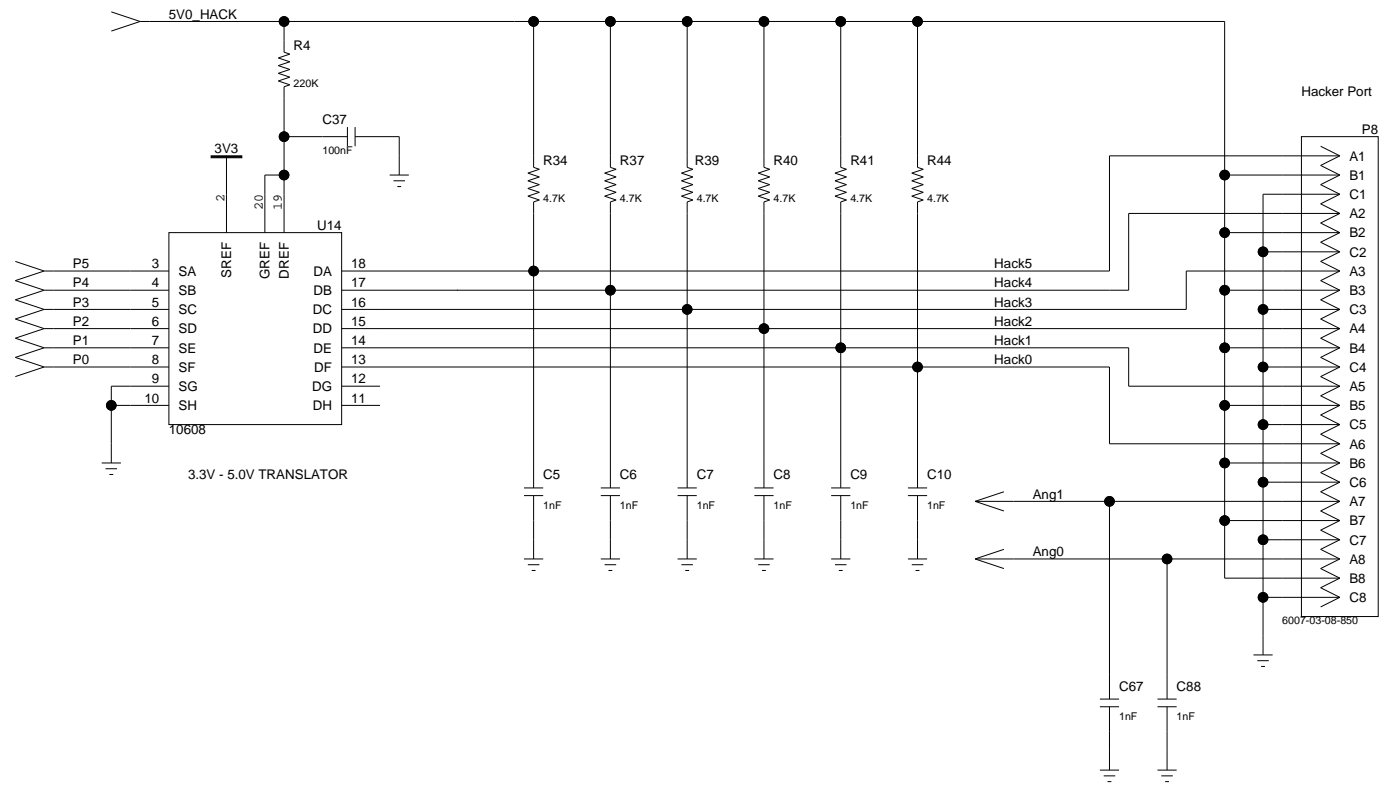
SIZE	DWG	10712D_Main_PCB	
A			
DRAWN BY	SHEET	OF	PROJECT
B. WIRZ	6	8	SCRIBBLER2

Line Follow Sensor Interface



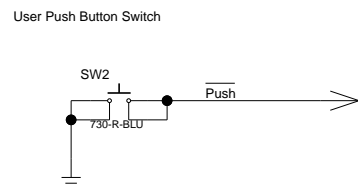
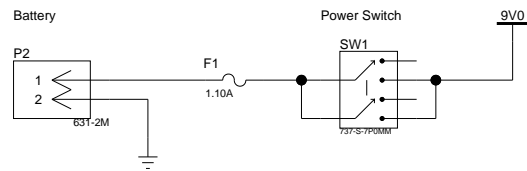
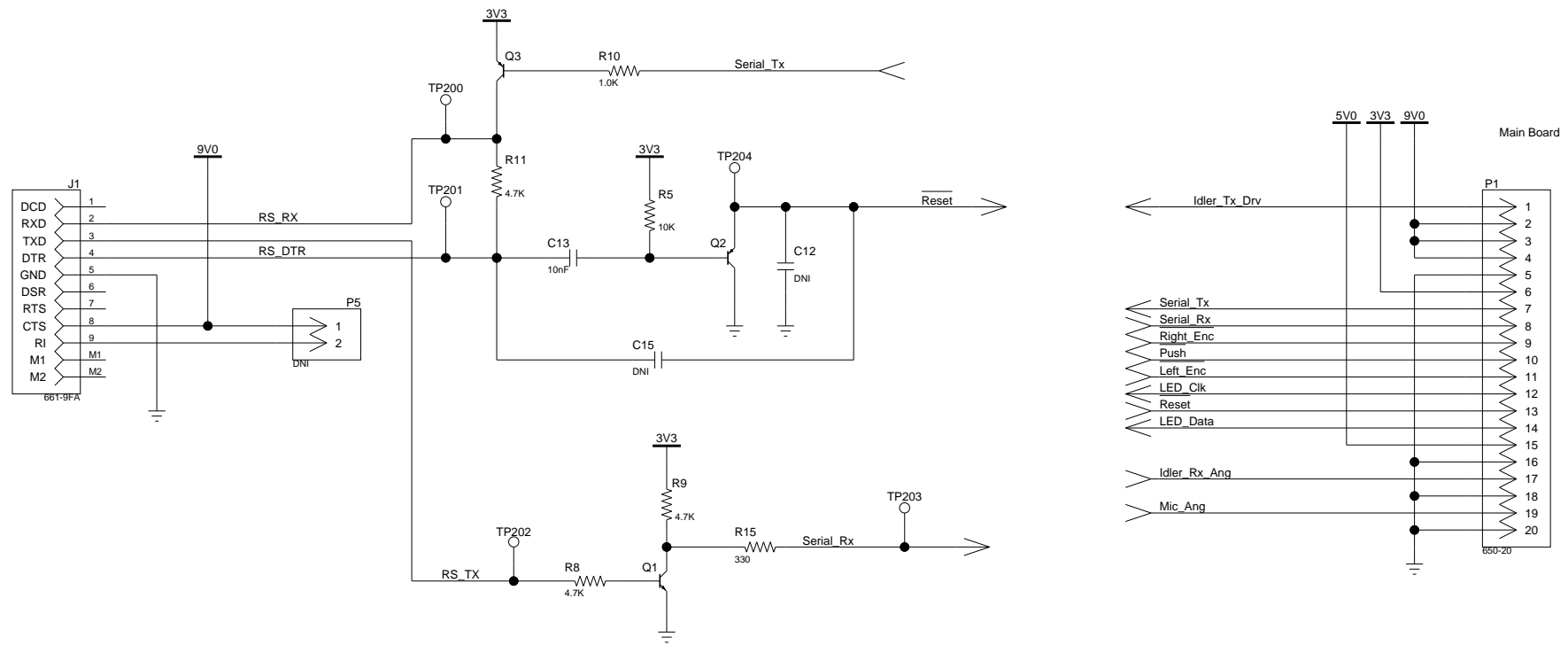
SIZE	DWG	10712D_Main_PCB	
A			
DRAWN BY	SHEET	OF	PROJECT
B. WIRZ	7	8	SCRIBBLER2

Hacker Port Interface

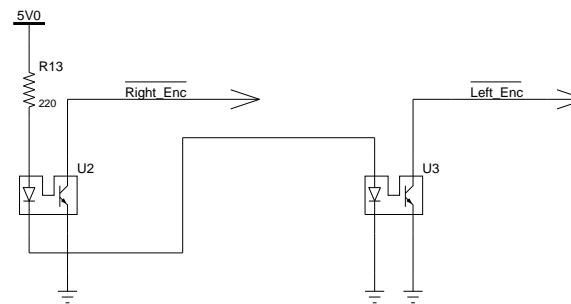


SIZE	DWG			
A		10712D_Main_PCB		
DRAWN BY	SHEET	OF	PROJECT	
B. WIRZ	8	8	SCRIBBLER2	

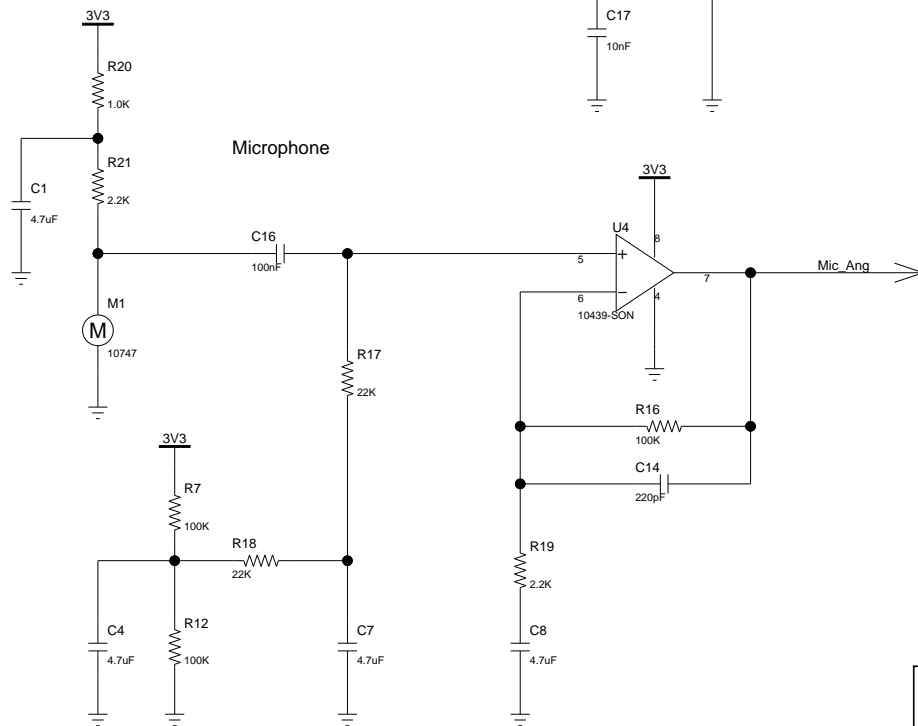
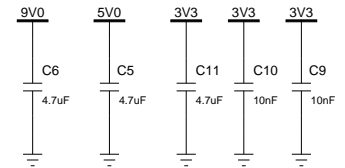
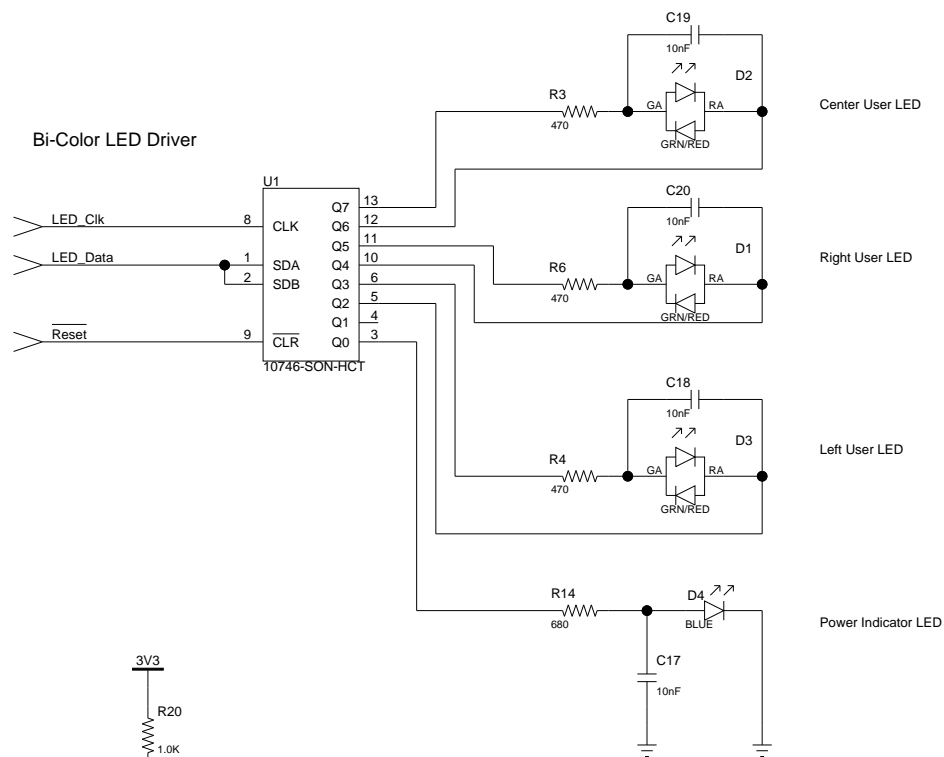
Back PCB



Motor Break Beam Encoders

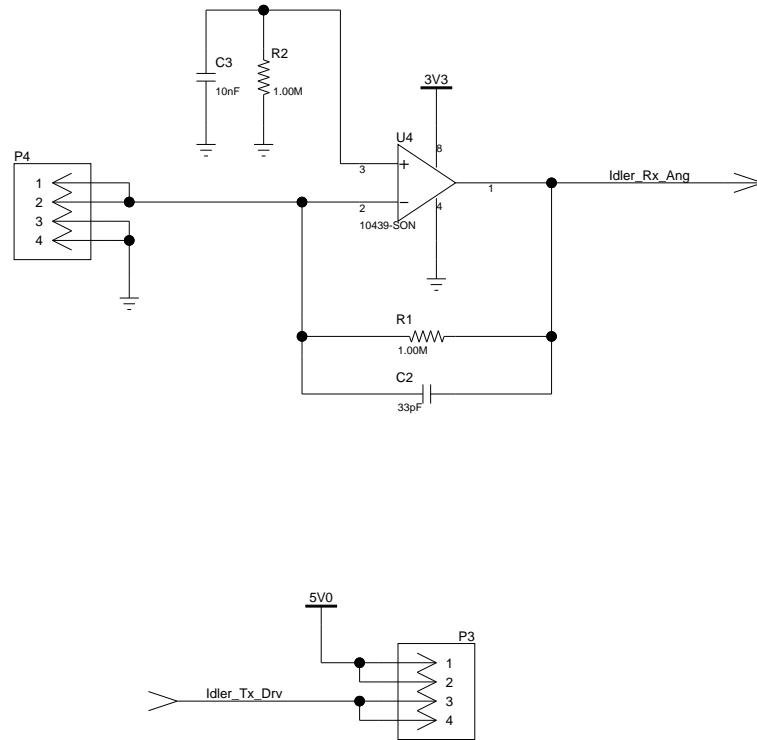


SIZE	DWG	10715E_Back_PCB	
A			
DRAWN BY	SHEET	OF	PROJECT
B. WIRZ	1	3	SCRIBBLER2



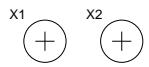
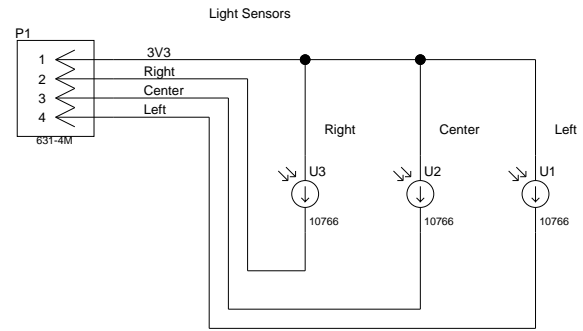
SIZE	DWG	10715E_Back_PCB	
A			
DRAWN BY B. WIRZ	SHEET OF 2 3	PROJECT SCRIBBLER2	

Idler Wheel Break Beam Sensor



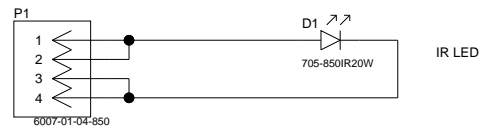
SIZE	DWG	10715E_Back_PCB	
A			
DRAWN BY	SHEET	OF	PROJECT
B. WIRZ	3	3	SCRIBBLER2

Top Light Sensor PCB

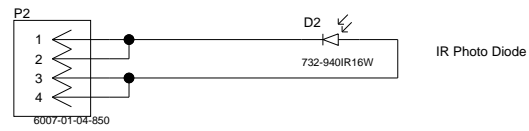


SIZE	DWG	10718C_Top_PCB	
A			
DRAWN BY	SHEET	OF	PROJECT
B. WIRZ	1	1	SCRIBBLER2

Idler Wheel Stall Detector



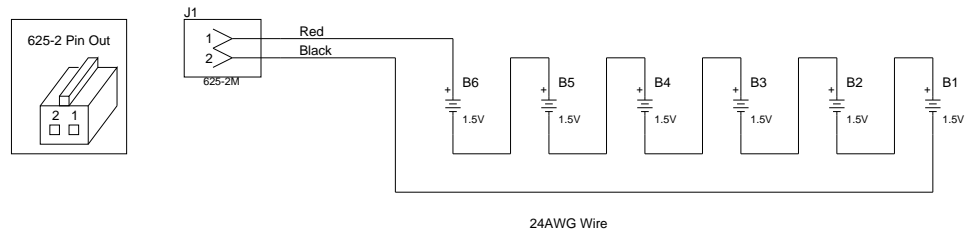
IR LED



IR Photo Diode

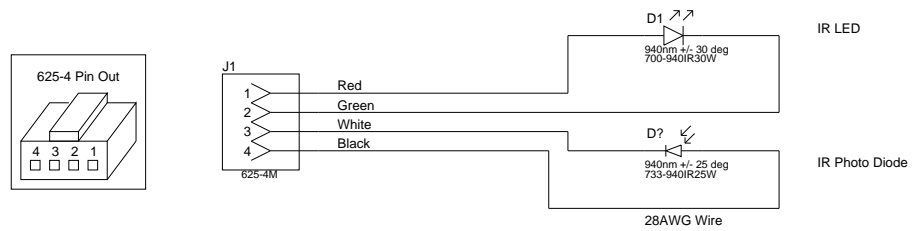
SIZE	DWG	10753B_Idler_PCB	
A			
DRAWN BY	SHEET	OF	PROJECT
B. WIRZ	1	1	SCRIBBLER2

Battery Box Wire Diagram



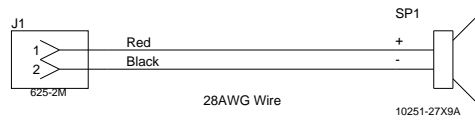
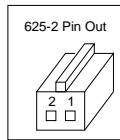
SIZE	DWG	10243D_Battery_Wire	
A			
DRAWN BY	SHEET	OF	PROJECT
B. WIRZ	1	1	SCRIBBLER2

Line Sensor Wire Diagram



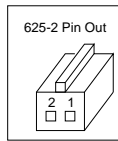
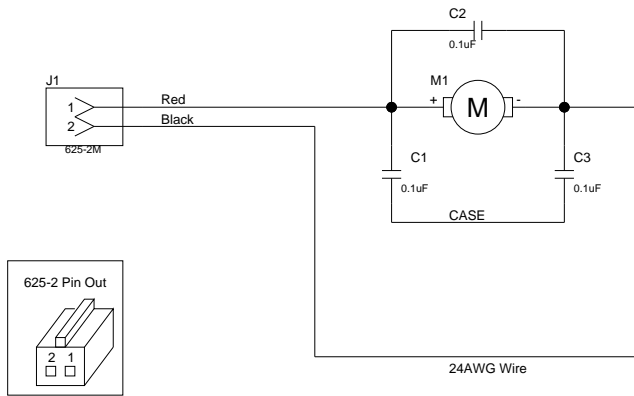
SIZE	DWG		
A	10247F_Line_Sensor_Wire		
DRAWN BY	SHEET	OF	PROJECT
B. WIRZ	1	1	SCRIBBLER2

Speaker Wire Diagram



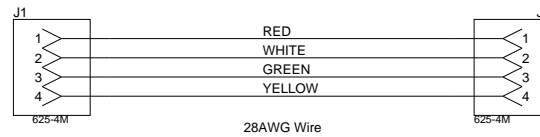
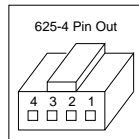
SIZE	DWG	10248C_Speaker_Wire	
A			
DRAWN BY	SHEET	OF	PROJECT
B. WIRZ	1	1	SCRIBBLER2

Motor Wire Diagram



SIZE	DWG	10268E_Motor_Wire	
A			
DRAWN BY	SHEET	OF	PROJECT
B. WIRZ	1	1	SCRIBBLER2

Top PCB (10719) to Main PCB (10713) Wire Diagram



SIZE	DWG	10721A_Top_PCB_Wire	
A			
DRAWN BY	SHEET	OF	PROJECT
B. WIRZ	1	1	SCRIBBLER2