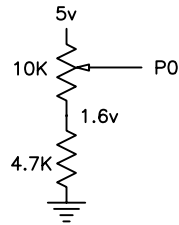
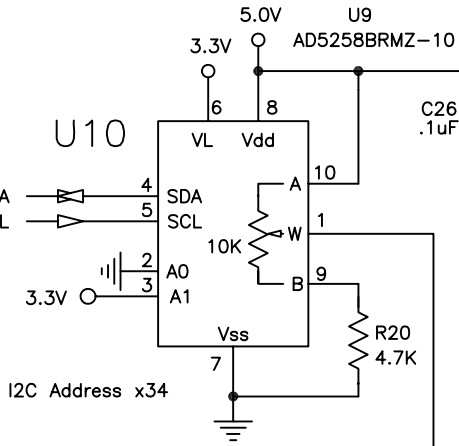
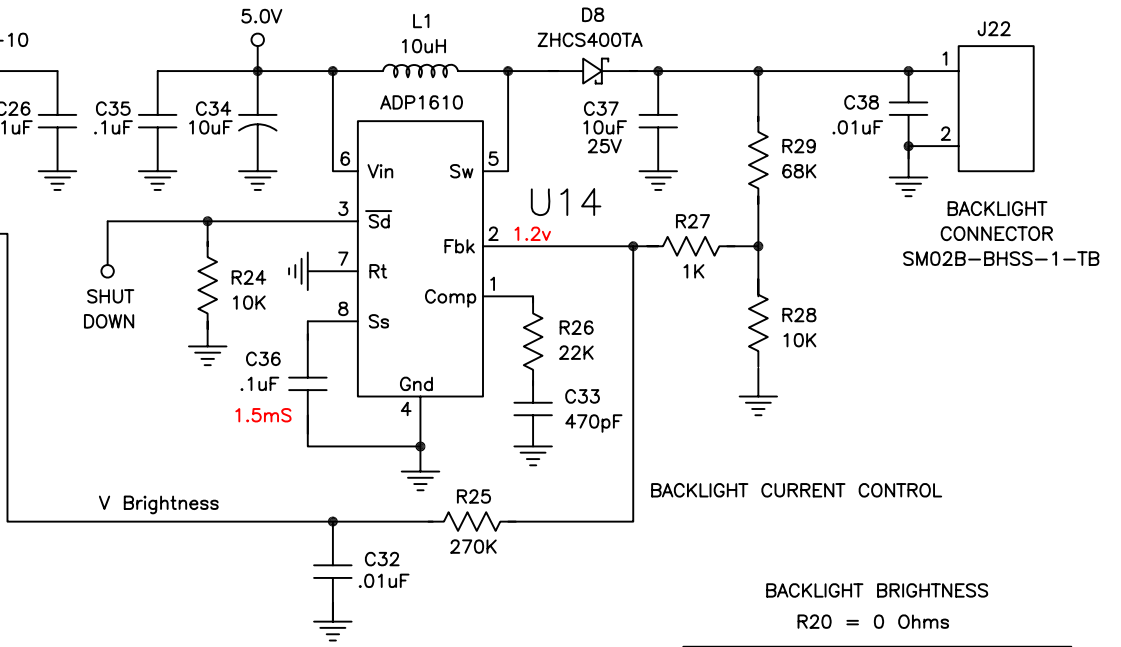


DIGITAL POTENTIOMETER



BACKLIGHT DRIVER



BACKLIGHT BRIGHTNESS
R20 = 0 Ohms

DigiPot Output	Ibkl	Vbkl
5.0V	32	8.50
4.0V	60	8.77
3.0V	110	9.07
2.5V	142	9.21
2.0V	181	9.35
1.0V	265	9.63
0.0V	386	9.93