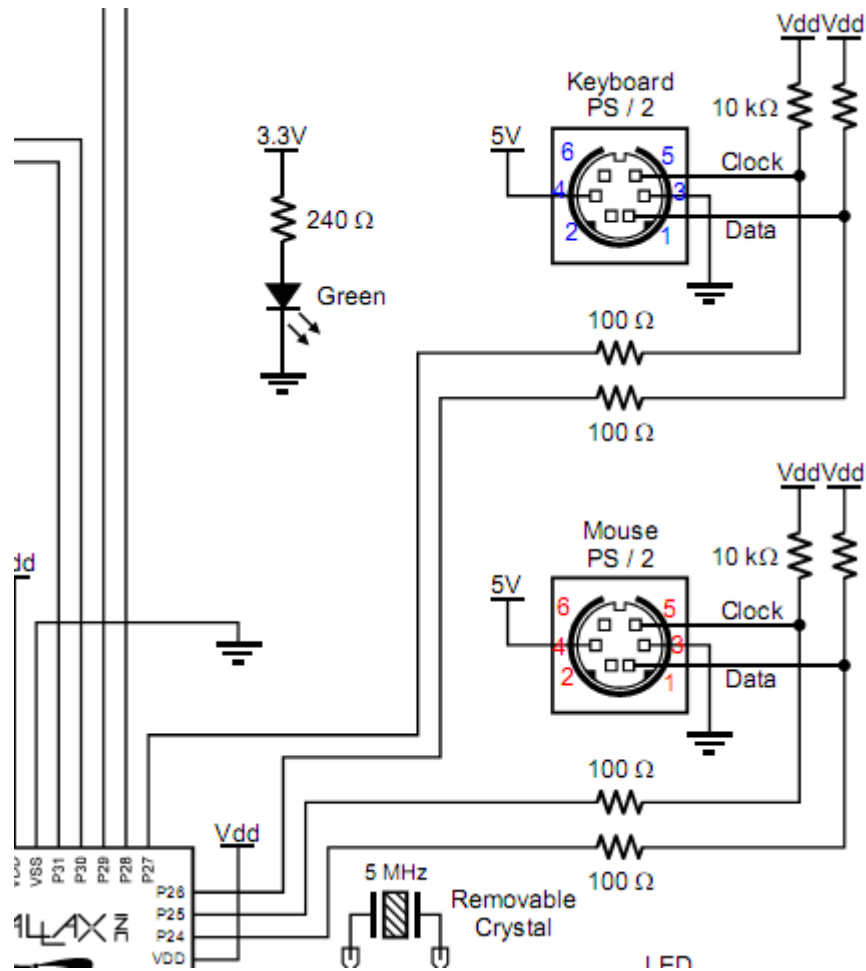
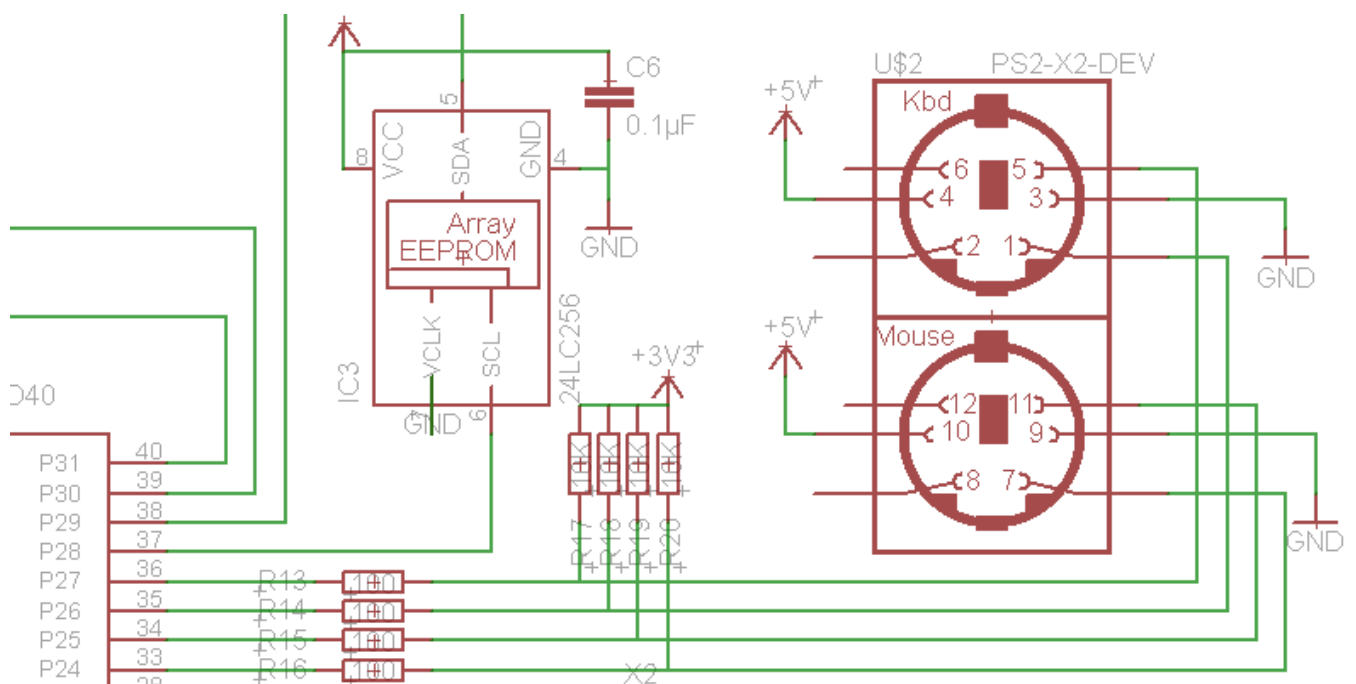


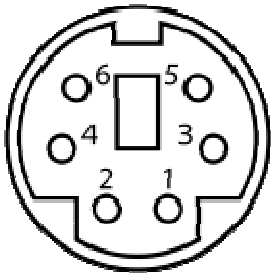
Demo Board



My schematic



Pin out from Wikipedia



Female connector from the front

- Pin 1 +DATA Data
- Pin 2 Not connected
- Pin 3 GND Ground
- Pin 4 [Vcc](#) +5 V DC at 275 mA
- Pin 5 +CLK [Clock](#)
- Pin 6 Not connected

My layout

