



APPLICATION NOTE 1196

Using the MAX7219/7221 to Drive Higher Voltage or Current

Abstract: Techniques to amplify the current and voltage drive capabilities of the MAX7219 and MAX7221 serial interface LED drivers.

The MAX7219/7221 is an 8-digit, 7-segment common-cathode multiplexed LED display driver which drives up to 40mA segment current while operating from a 4V to 5.5V supply. This application note discusses how the MAX7219/7221 can be used with external drive transistors for applications requiring higher peak segment currents and/or a higher drive voltage. LEDs using three or more LED dice per segment cannot be driven directly by the MAX7219/7221 from a 5V supply due to the multiple LED voltage drops.

The drivers shown in Figures 1 thru 4 interface a MAX7219/7221 operating at 4V to 5V to common anode displays operating at a higher segment current and/or drive voltage than the MAX7219/7221 can deliver. Eight instances of the low current cathode column driver, and eight instances of the high current anode digit driver are required.

The MAX7219/7221's PWM digital intensity control can still be used. The peak segment current, however, is now set by external current-limiting resistors in series with the LED cathodes instead of by resistor R_{SET}.

To use these drivers, choose R1 (see **Figure 4**) to set the desired peak LED segment current I_{SEG} according to the driver supply voltage V_{driver} and the LED forward voltage drop V_{LED}:

$$I_{PEAK} = (V_{driver} - V_{LED} - V_{CE(sat)Q1}) / (R1 + R_{DS(on)Q2}) \text{ A}$$

Rate Q1 at segment current I_{SEG}, and rate Q2 at digit current, which is 8 times I_{SEG}.

Note that the display must be the common anode (CA) type to interface the drivers described here; the MAX7219/7221 directly drive common cathode (CC) displays, but these external drivers invert the digit/segment drive polarity.

Digit Drivers

The digit drive outputs of the MAX7219/7221 are power switches which go active low one at a time to turn a digit on, and high impedance when off.

Three alternative digit drive circuits are suggested here. The simplest circuit (**Figure 1**) suits an application where a higher than 40mA segment current is desired, and yet the 4V-5V MAX7219/7221 supply voltage can be used to drive the LEDs. The active low MAX7219/7221 digit drive outputs directly drive logic level PFET Q2. Resistor R3 turns Q2 off when the digit output is high impedance. The supply V_{driver} is the same supply as used by the MAX7219/7221.

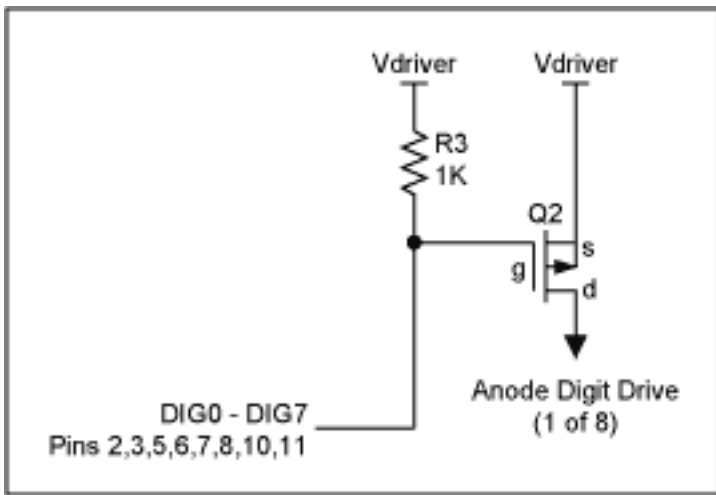


Figure 1. Current boosting the digit drive while retaining a low voltage LED supply.

The circuit of **Figure 2** includes a level shifter to allow a higher supply voltage than 5V to be used to drive the LEDs. Q3 operates as a common-base current switch, and sinks a collector current set by resistor R2 (about 5mA using $V_{\text{cascode}} = 5\text{V}$) when the digit drive output is low. This current in turn develops about 5V across the 1k Ω of R3 to provide a consistent gate drive to logic level PFET Q2, independent of the fluctuations of the supply V_{driver} . Note, though, that the collector of Q3 can go no lower than $V_{\text{CE(sat)Q3}}$ above it's emitter, which is at V_{BE} below V_{cascode} .

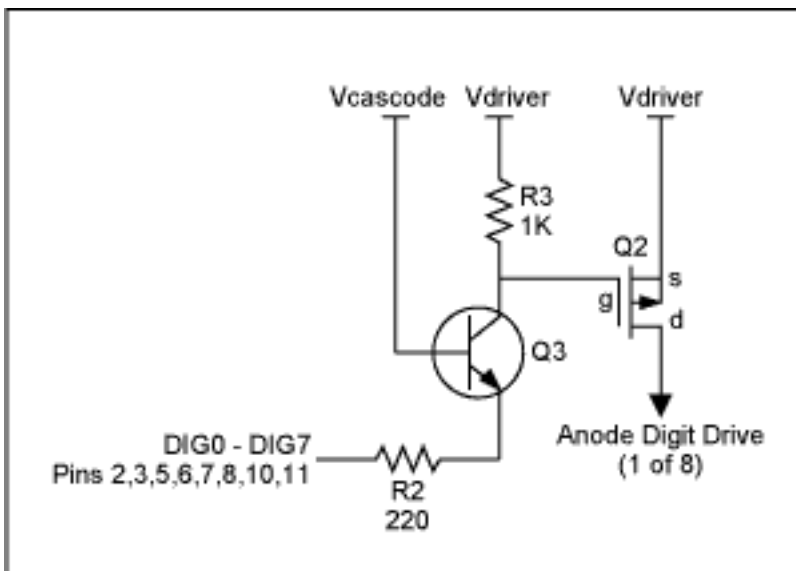


Figure 2. Current boosting the digit drive using an LED supply 10V or higher.

As R3 is dropping 5V, this places the lower limit for the supply V_{driver} at about 10V if V_{cascode} is set to 5V. 5V was picked as a convenient voltage for V_{cascode} because it's likely to be the supply for the MAX7219/7221. However V_{cascode} can be set to a lower voltage, such as 2V, by simply dropping the 5V supply through a zener diode (**Figure 3**). Only one zener diode is needed to serve all the digit drivers.

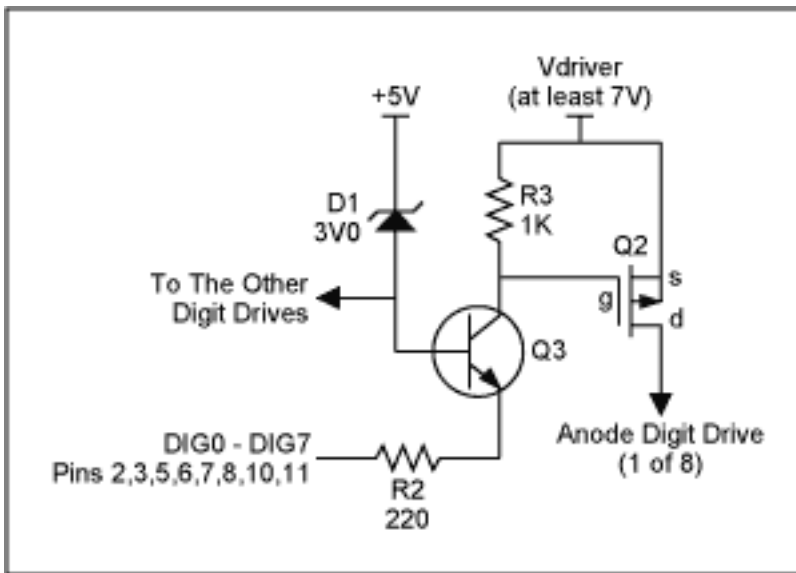


Figure 3. Current boosting the digit drive using an LED supply below 10V.

Segment Drivers

The MAX7219/7221 segment drive outputs are current sources, which drive a constant current set by resistor R_{SET} connected to the I_{SET} pin of the MAX7219/7221. The maximum segment current is 40mA. To drive a higher segment current, external transistors and segment current limiting resistors are needed (Figure 4).

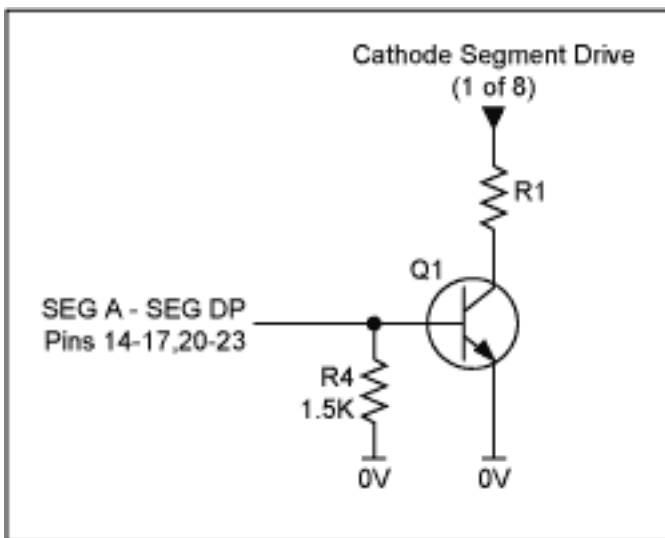


Figure 4. Current boosting the segment drive.

By setting the MAX7219/7221 segment drive current source correctly, a base current limiting resistor is not required for the segment drive switch Q1. The segment drive current can be set to be an appropriate value using R_{SET} to turn Q1 on hard. Resistor R4 is needed to ensure Q1 turns off reasonably fast at the end of each digit's multiplex cycle. An R_{SET} value around 150k Ω is a good starting point.

Application Note 1196: <http://www.maxim-ic.com/an1196>

More Information

For technical questions and support: <http://www.maxim-ic.com/support>

For samples: <http://www.maxim-ic.com/samples>

Other questions and comments: <http://www.maxim-ic.com/contact>

Related Parts

MAX7219: [QuickView](#) -- [Full \(PDF\) Data Sheet](#) -- [Free Samples](#)

MAX7221: [QuickView](#) -- [Full \(PDF\) Data Sheet](#) -- [Free Samples](#)

AN1196, AN 1196, APP1196, Appnote1196, Appnote 1196

Copyright © by Maxim Integrated Products

Additional legal notices: <http://www.maxim-ic.com/legal>