

**SPECIFICATIONS**

**ELECTRICAL CHARACTERISTICS:**

Contact Current Rating: 3 Amperes.  
 Dielectric Withstanding Voltage: AC 1000/60sec.r.m.s.  
 Insulation Resistance: 5000 Megohms Minimum at DC 500V.  
 Contact Resistance: 25 Milliohms Maximum.  
 Operating Temperature: -55°C to +105°C.

**MECHANICAL CHARACTERISTICS:**

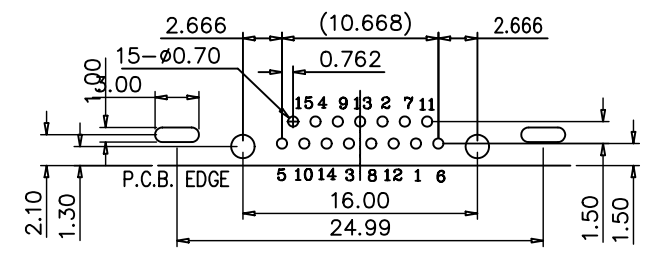
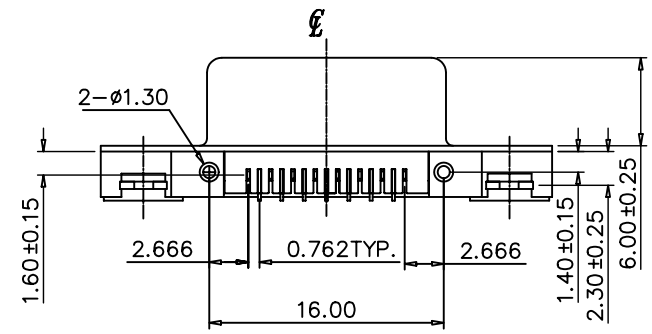
Contact Insertion Force: 341 g. Maximum.  
 Contact Separation Force: 21 g. Minimum.

**MATERIALS:**

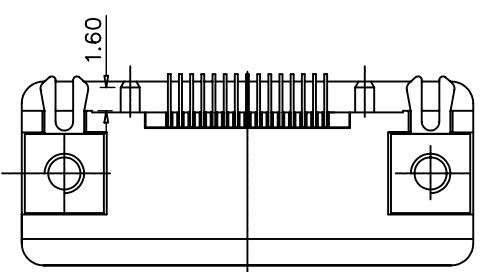
Contacts: Brass.  
 Insulator: PBT UL 94V-0 Rated.  
 Shell: Cold Roller Steel.

**FINISHES:**

Contact: Gold Flash.  
 Shell: Nickel Plated.



Recommend PCB Layout



**4UCON** 元化興業股份有限公司  
 4UCON TECHNOLOGY INC.

DRAWING No. 09774

APPROVED BY MEI  
 CHECKED BY RAN  
 DRAWING BY HZF

UNLESS OTHERWISE SPECIFIED  
 TOLERANCES ARE  
 .X ±0.25  
 .XX ±0.13  
 ANG. ±2°  
 UNIT mm

SCALE	NONE	REV.	A0	UNIT	mm	AREA	REVISIONS	CHK	DATE
-------	------	------	----	------	----	------	-----------	-----	------