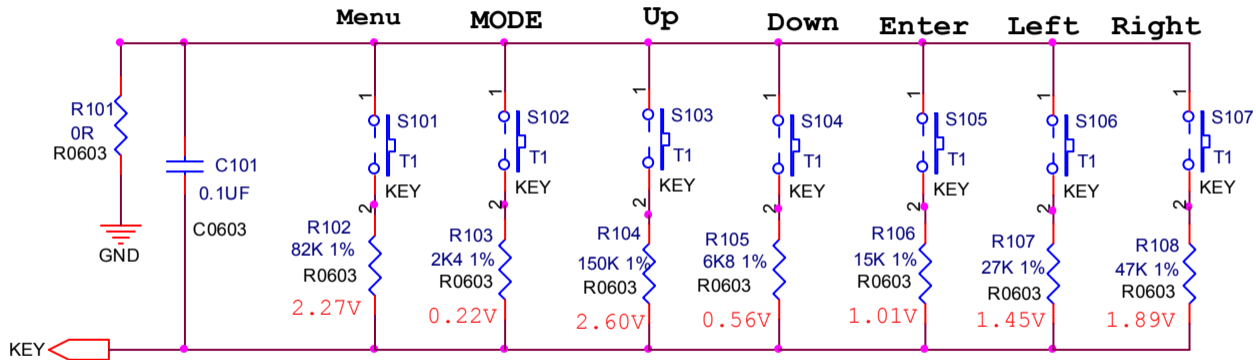


Keyboard Circuit



Note: the keyboard input of DSP is connected to internal ADC circuit, thus, the accuracy of the resistor is important in this application