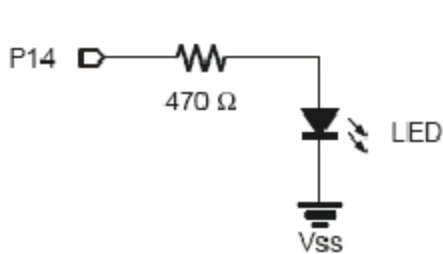


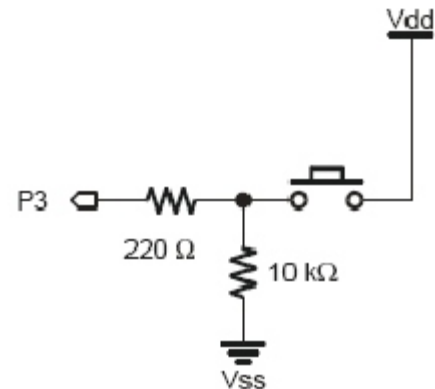
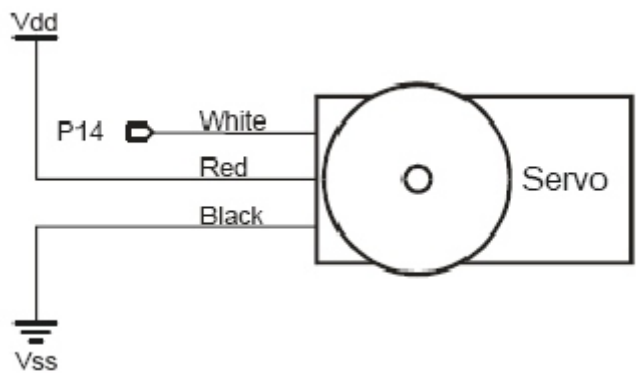
On the BOE 3 buttons were connected to Pins 0, 1, and 2. 3 switches connected to pins 3, 4, and 5. Photo diode light detector on pin 6. A green LED to pin 7 and a red LED to pin 8. The piezo speaker was connected to pin 9. Pins 10 and 11 were unused on the BOE. Servos were connected to pins 12, 13, 14, and 15 through the servo pins on the board. Dump4everV3.bs2

On the Homebrew board there is another servo and an IR detector. 5 Servos were connected to pins 0, 1, 2, 3, 4. IR Detector on pin 5. The piezo speaker was connected to pin 6. Photo diode light detector on pin 7. A red LED to pin 8 and green LED to pin 9. 3 switches connected to pins 10, 11, and 12. 3 buttons were connected to Pins 13, 14, and 15. Note that connections are almost mirrored-reversed. This is due to different pin layouts and servo pin connections provided on the BOE.



Please note that all pin numbers on the following schematics are probably wrong IAW the way I connected them.

LED circuit used with pins 7 and 8



Servos were connected through the servo pins on the BOE or pins 0,1,2,3,4 on the Homebrew board

Pushbutton pull-down active-high circuit used with pins 0, 1, 2 as pushbuttons and 4, 5, 6 as switches.

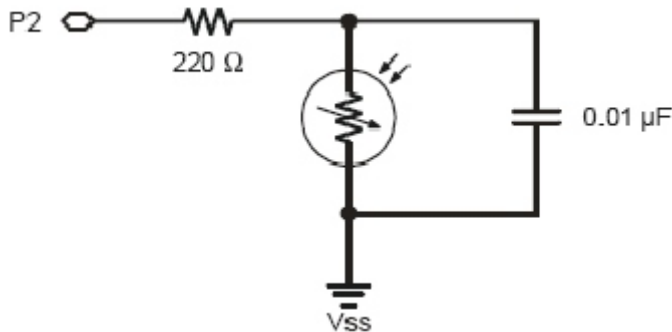
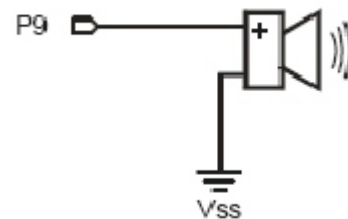
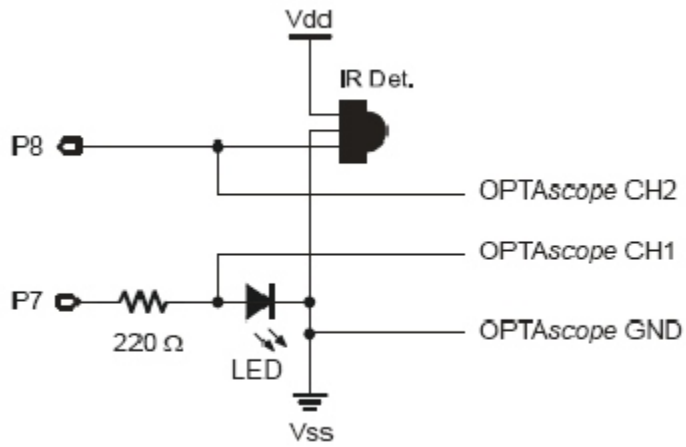


Photo diode light detector



Piezo speaker



Infra Red Detector. BS2 Pin goes to detector output, ground to middle pin and VDD to other pin. Make sure the detector is facing the correct way. All the other connections can be ignored.