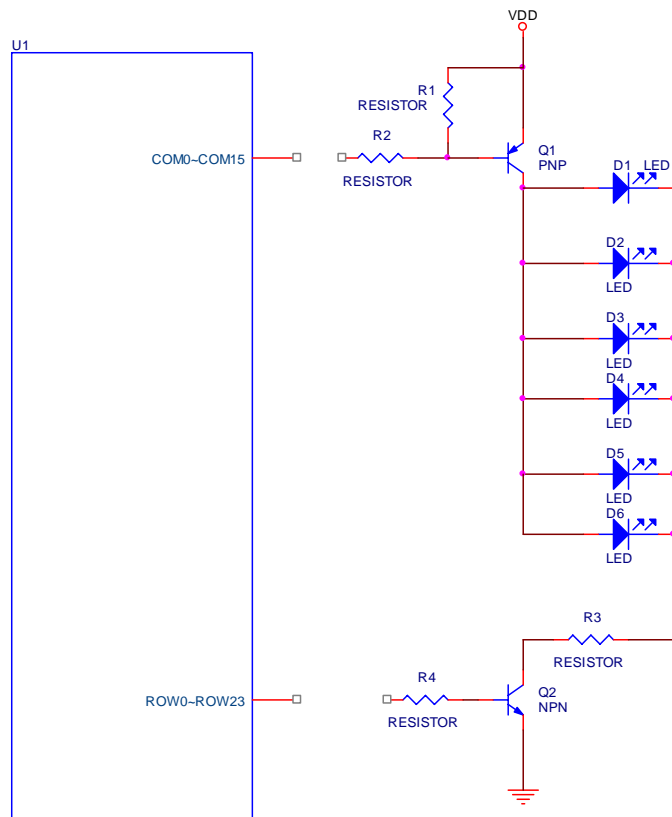


In page 13 (of part#HT1632C datasheet, URL link:
<http://www.holtek.com/pdf/consumer/1632cv100.pdf>):



HT1632C

R1:SUGGESTED:10K

COM0~COM15 Output LOW:

$$R2 = \frac{V_{DD} - V_{EB}(Q1)}{I_B}$$

$$R3 = \frac{V_{DD} - V_{EC}(Q1) - V_{CE}(Q2) - V_{F(LED)}}{6I_{F(LED)}}$$

ROW0~ROW23 Output High:

$$R4 = \frac{V_{ROWOutput} - V_{Be}(Q2)}{I_B}$$

*Note: ROW Sink Current : 10 mA

ROW Source Current : -40 mA

COM Sink Current : 250 mA

COM Source Current : -40 mA

2. In page 17: values of the “R” resistors are selected depending on the power consumption of the LEDs.