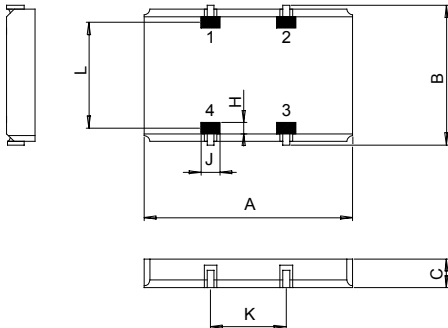


Package dimension without J/L:



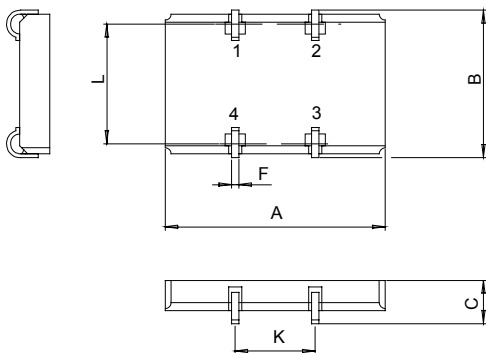
Dimensions (max.):

| | In. | mm |
|---|------|------|
| A | 0.55 | 14.1 |
| B | 0.36 | 9.3 |
| C | 0.10 | 2.4 |
| H | 0.05 | 1.3 |
| J | 0.05 | 1.3 |
| K | 0.20 | 5.1 |
| L | 0.29 | 7.3 |

Pin Out:

| | |
|---|------------------------|
| 1 | Option: Enable/Disable |
| 2 | GND |
| 3 | Output |
| 4 | Vcc |

Package dimension with J/L (Option 1):



Dimensions (max.):

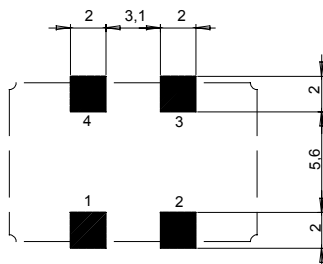
| | In. | mm |
|---|------|------|
| A | 0.55 | 14.1 |
| B | 0.36 | 9.3 |
| C | 0.15 | 3.8 |
| F | 0.02 | 0.5 |
| K | 0.2 | 5.1 |
| L | 0.3 | 7.8 |

Pin Out:

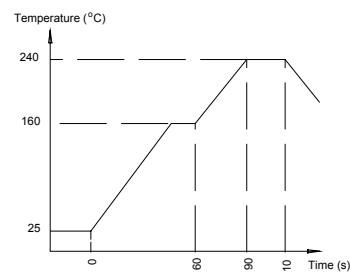
| | |
|---|------------------------|
| 1 | Option: Enable/Disable |
| 2 | GND |
| 3 | Output |
| 4 | Vcc |

Recommended solder pad layout & soldering conditions:

Solder pad layout



Soldering conditions



DATE: June 2003 Revision No.: 2

Page 1/2

In accordance with our policy of continuous development and improvement, we reserve the right to modify the design or the specifications of our products without prior notice.

Headquarters: Micro Crystal
Div. of ETA SA
Mühlestrasse 14
CH-2540 Grenchen
Switzerland

Tel. +41 32 655 82 82
Fax +41 32 655 80 90
Internet www.microcrystal.ch
Email sales@microcrystal.ch

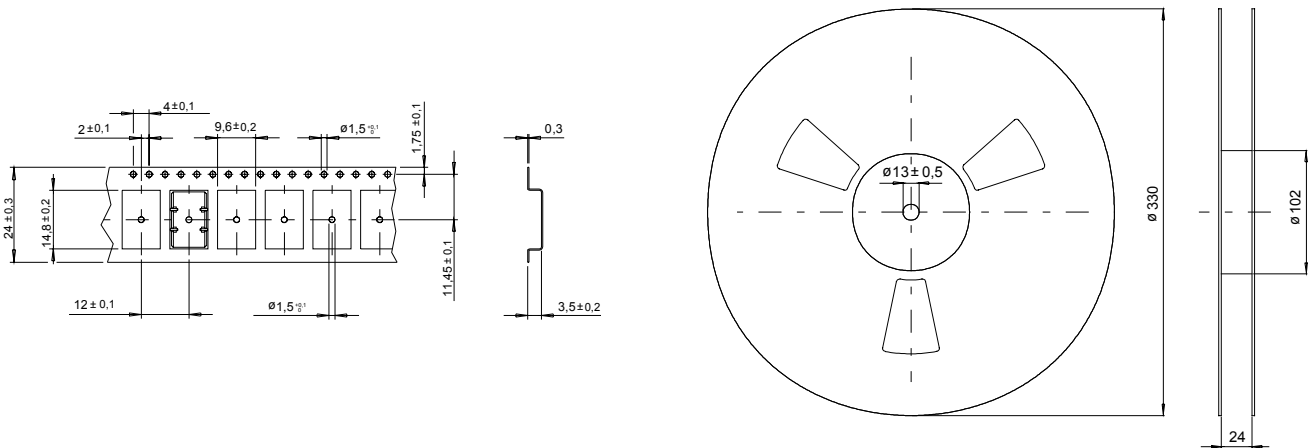
SHIPMENT METHOD:

Normal package:

MCSO's are packed in antistatic mold plates. A mold plate contains 50 pieces of MCSO and the dimensions are 135 x 96 x 11mm (5.31 x 3.77 x 0.43 inches).

Tape & Reel:

MCSO's can be delivered in tape & reel. The minimum shipment quantity is 250pcs.



| | | |
|-------|-----------|-----------------|
| DATE: | June 2003 | Revision No.: 2 |
|-------|-----------|-----------------|

In accordance with our policy of continuous development and improvement, we reserve the right to modify the design or the specifications of our products without prior notice.

Headquarters: Micro Crystal
 Div. of ETA SA
 Mühlestrasse 14
 CH-2540 Grenchen
 Switzerland

Tel. +41 32 655 82 82
 Fax +41 32 655 80 90
 Internet www.microcrystal.ch
 Email sales@microcrystal.ch