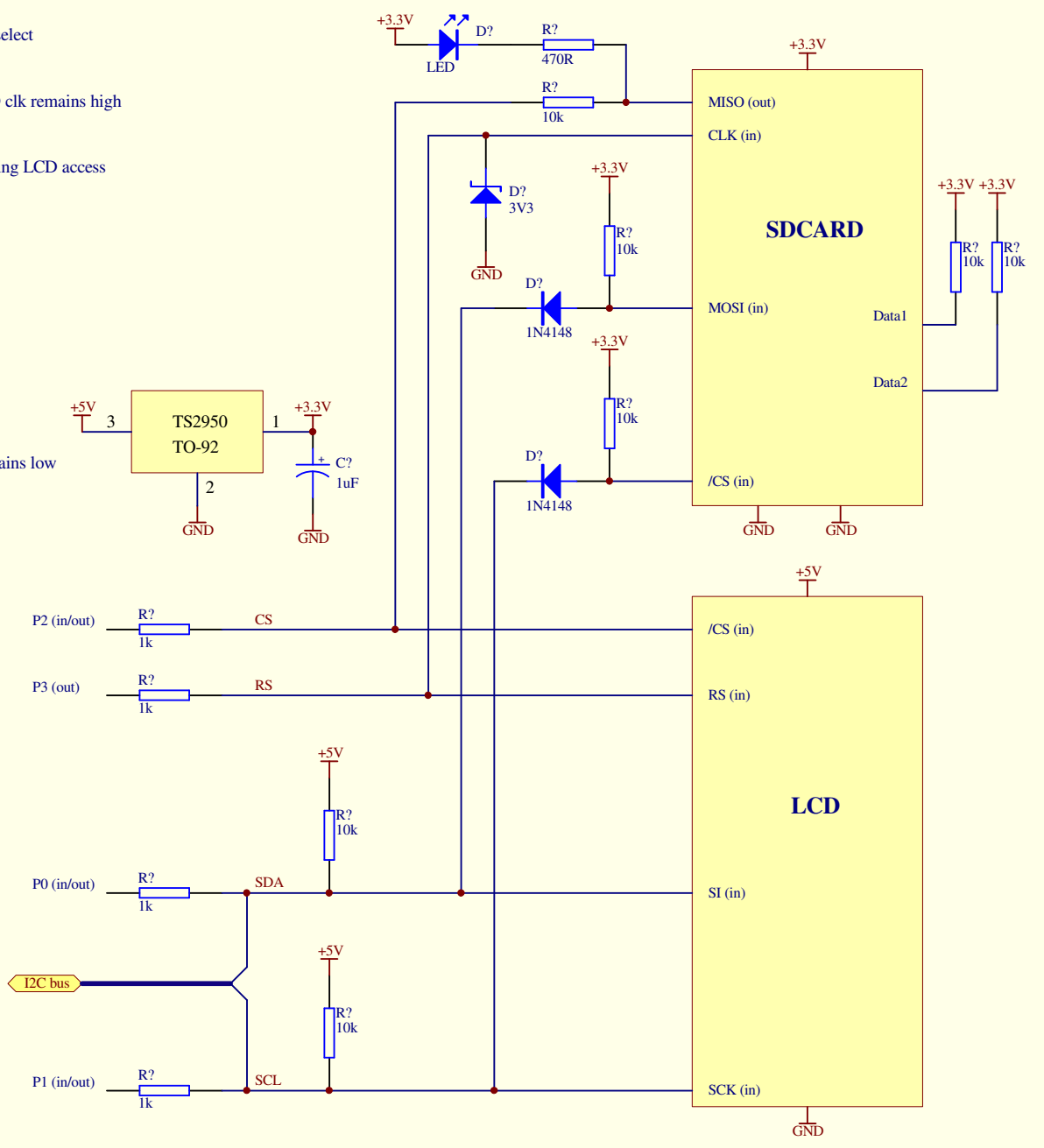


<p>IDLE: P2 high, P0 high, P1 high, P3 high</p> <p>I2C: Access I2C devices (SDA=P0, SCL=P1)</p> <p>LCD: P3 low (data) / P3 high (command) P1 low, P0 low, P2 low Shiftout data using P0 (data) and P1 (clk) P2 high P0 high, P1 high P3 high</p> <p>SD: P3 low P1 low, P0 low, P2 input Shift data using P0 (MOSI), P2 (MISO), P3 (clk) P2 high P0 high, P1 high P3 high</p>	<p>I2C idle, SDCARD deselect, LCD deselect</p> <p>SDCARD cs pulsed (SCL), SDCARD clk remains high</p> <p>SDCARD clk static (low or high) during LCD access Prevent I2C start, LCD select SDCARD cs pulsed (SCL) LCD deselect Prevent I2C stop, SDCARD deselect SDCARD clk high</p> <p>SDCARD clk low Prevent I2C start, SDCARD select LCD cs pulsed (MISO), LCD clk remains low LCD deselect Prevent I2C stop, SDCARD deselect SDCARD clk high</p>
--	--



1	2	3	4
D			D
C			C
B			B
A			A
1	2	3	4