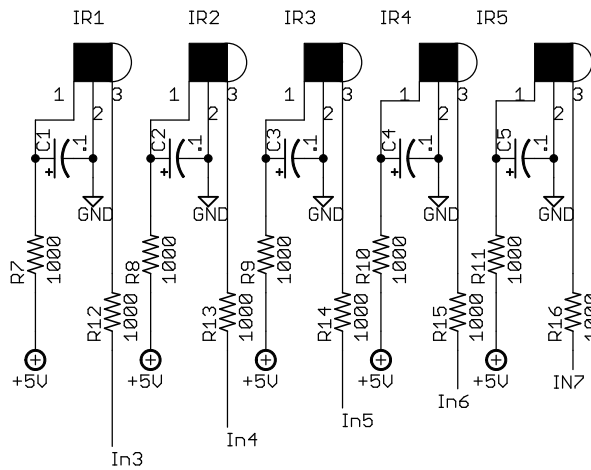
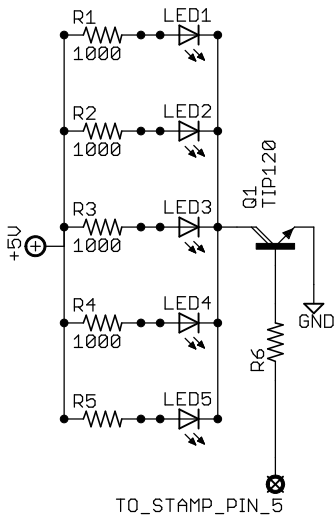


5 Volts from Regulated Power Supply
to all IR Emitters & Receivers.

Uishay TSOP-4838 IR Receivers:



IR Receiver Inputs to Stamp Pins 3 through 7.

Capacitors: C1 - C5 Tantalum .1 mfd.