

2

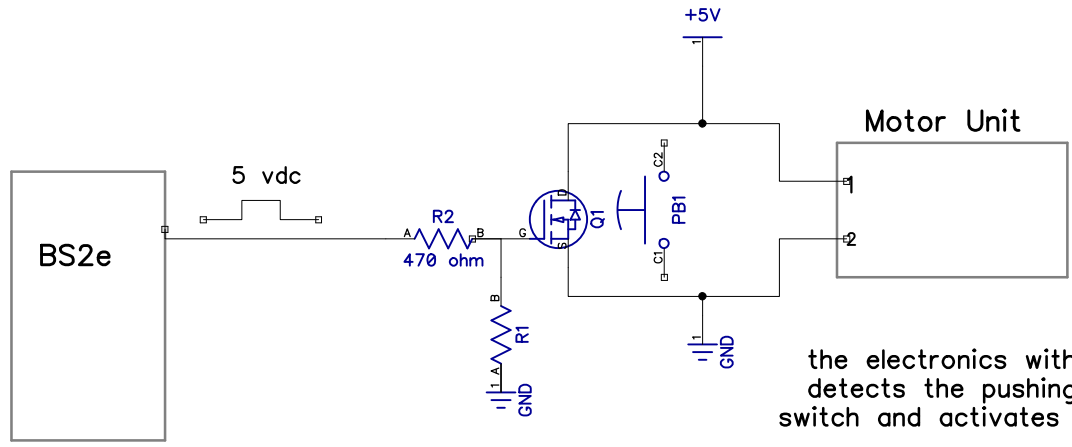
1

REVISIONS

ZONE	REV	DESCRIPTION	DATE	APPROVED
------	-----	-------------	------	----------

B

B



the electronics within the Unit
 detects the pushing of the
 switch and activates the motor

A

A

2

1

		SIZE	FSCM NO.	DWG NO.	REV
		SCALE		Sheet 1	