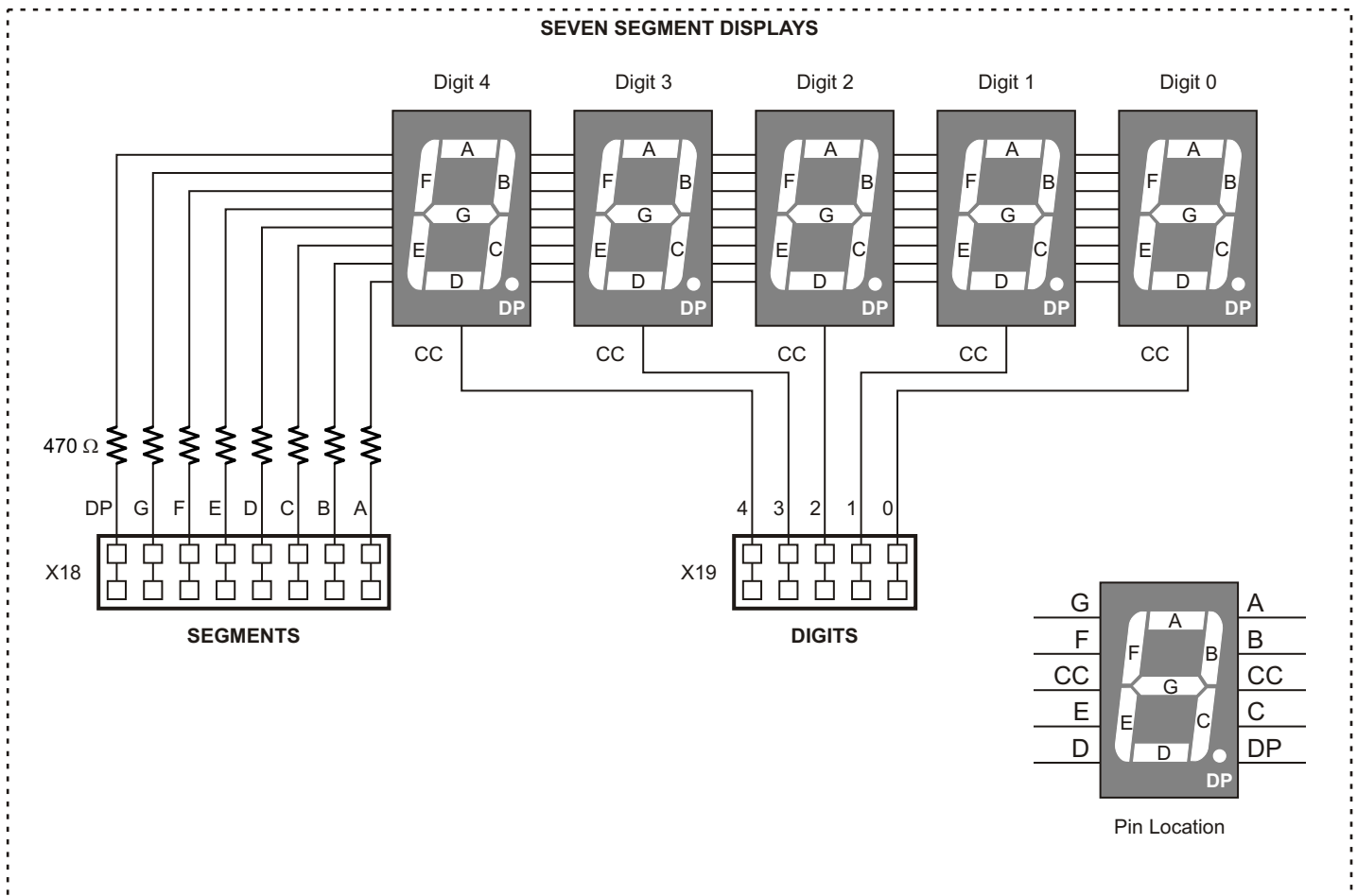
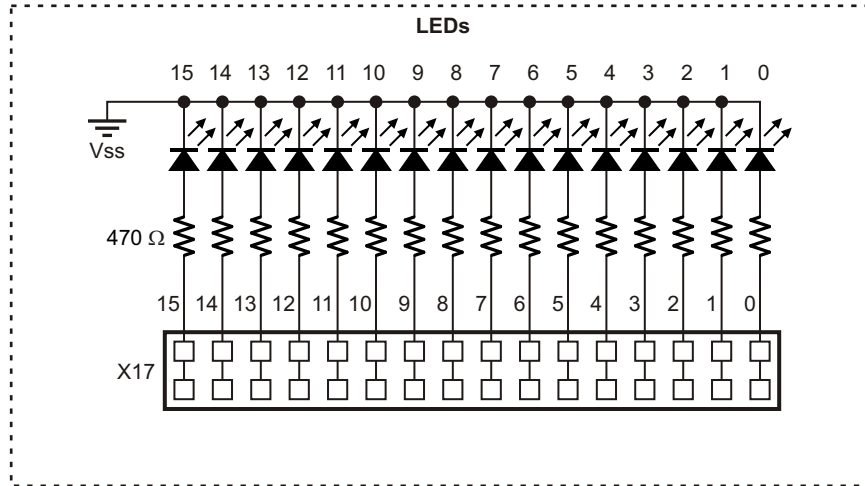


# Professional Development Board Schematic Rev. B

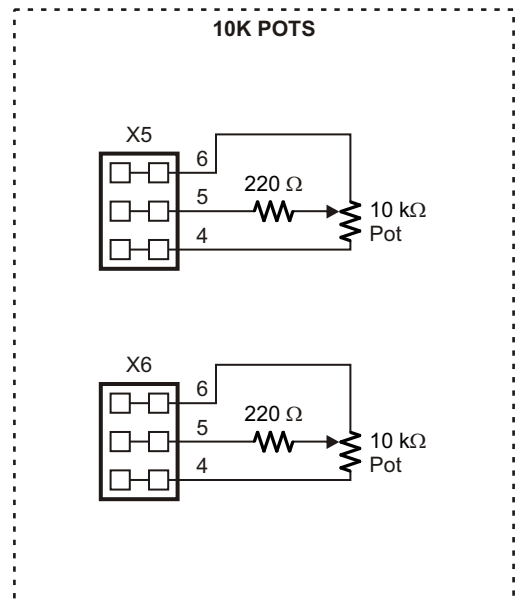
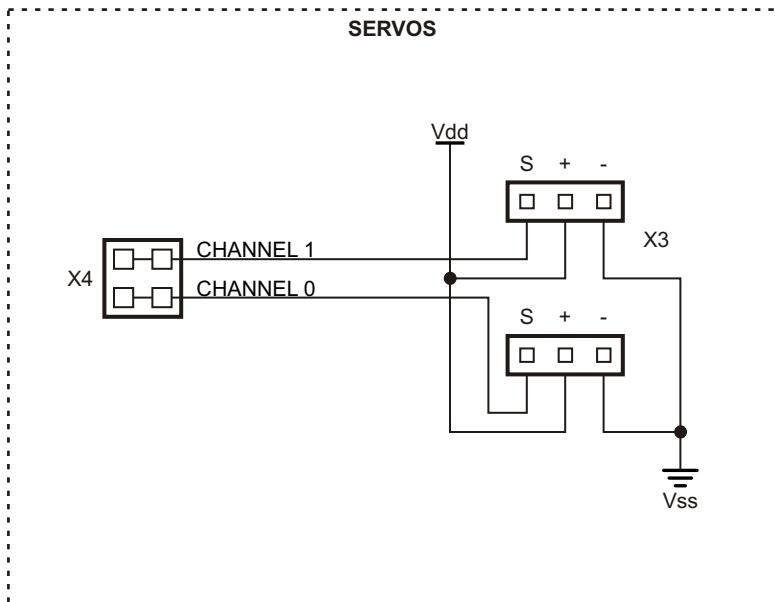
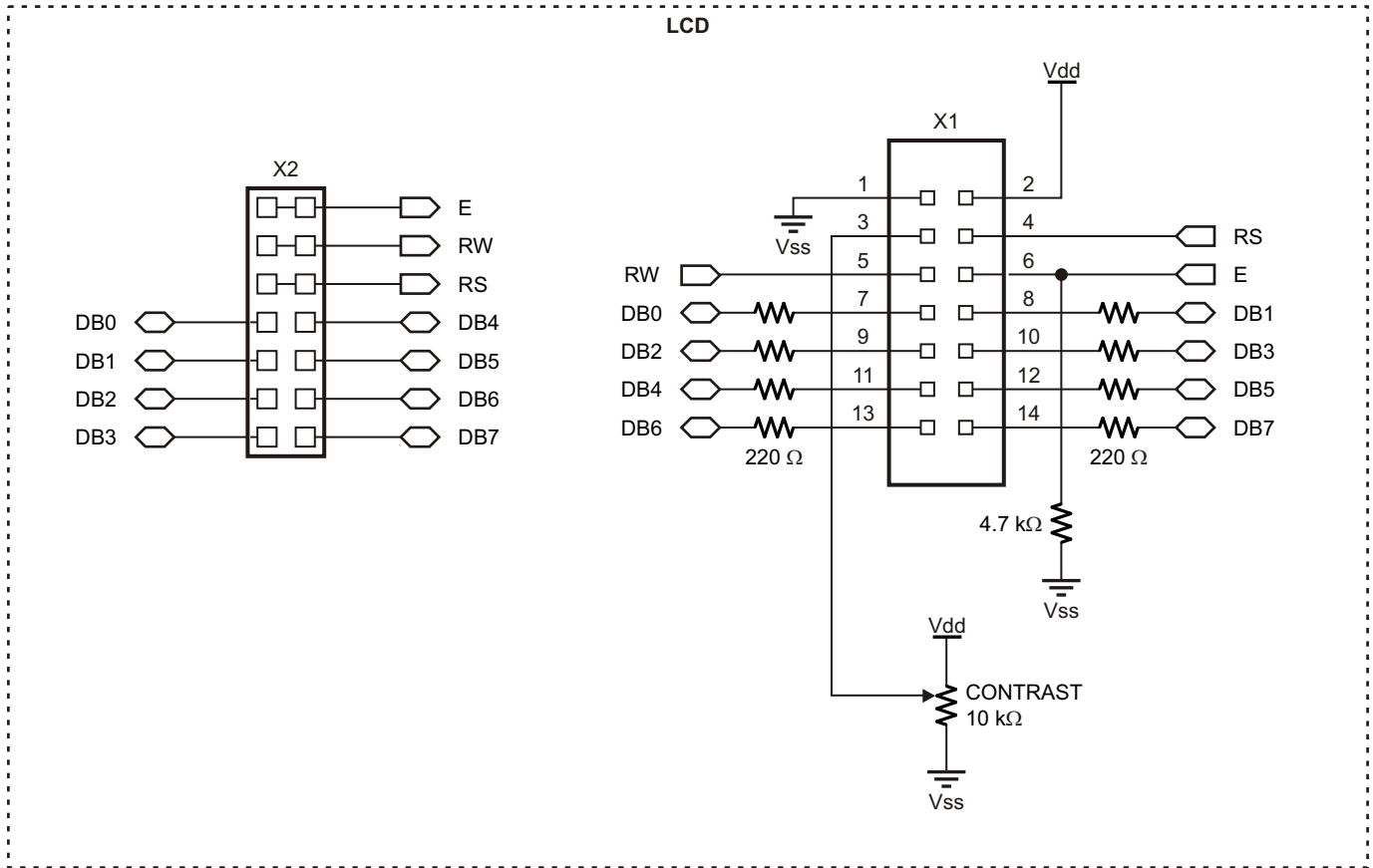
Updated 5-23-05 © Parallax, Inc.



Generally schematic sections start at the top center of the board and continue clockwise.

# Professional Development Board Schematic Rev. B

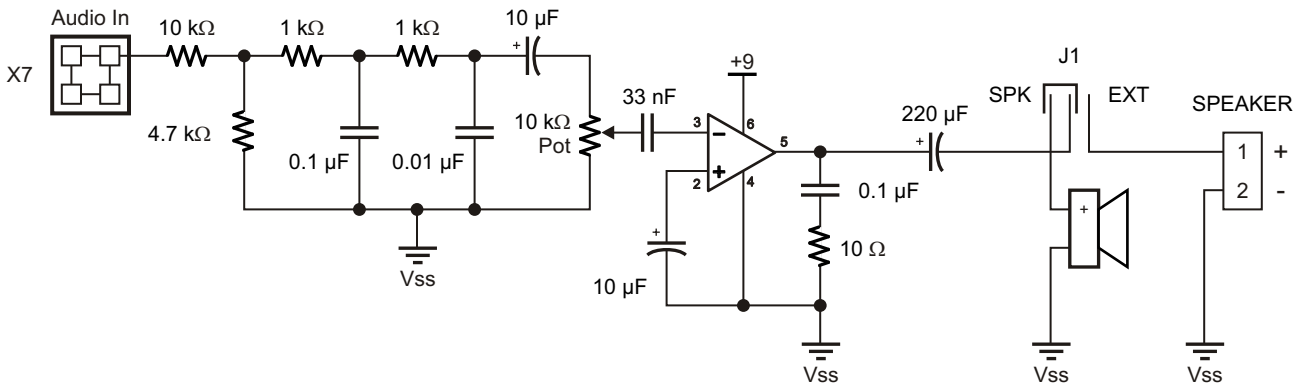
Updated 5-23-05 © Parallax, Inc.



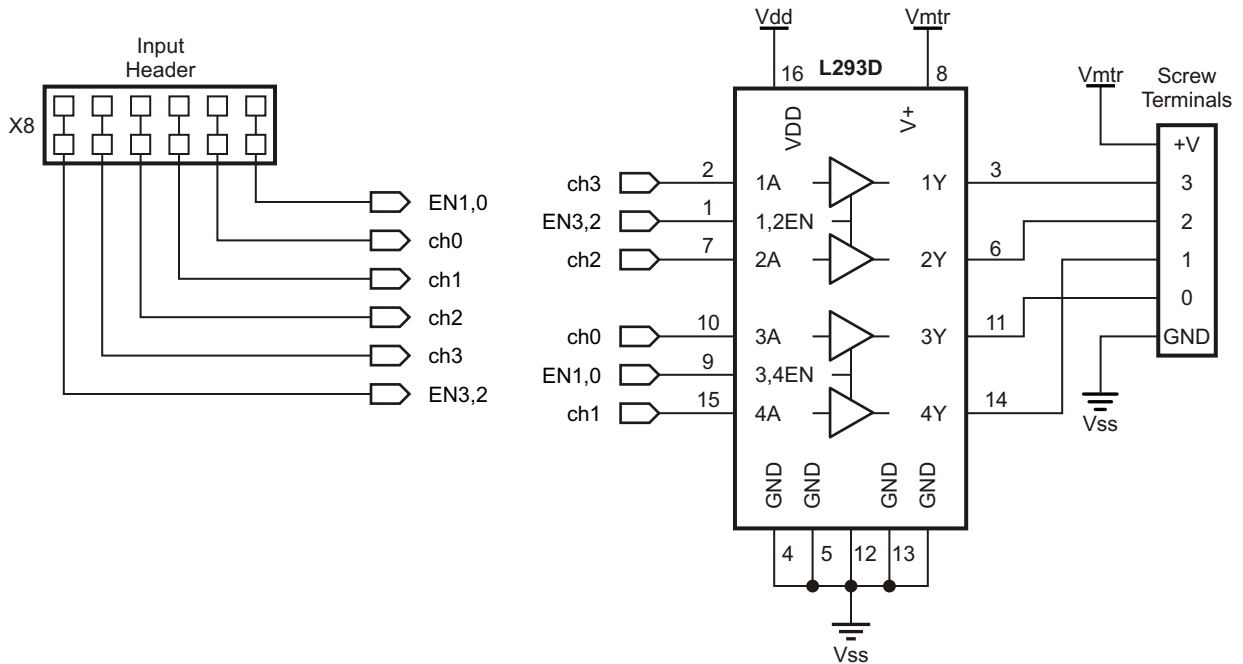
# Professional Development Board Schematic Rev. B

Updated 5-23-05 © Parallax, Inc.

## AUDIO AMPLIFIER



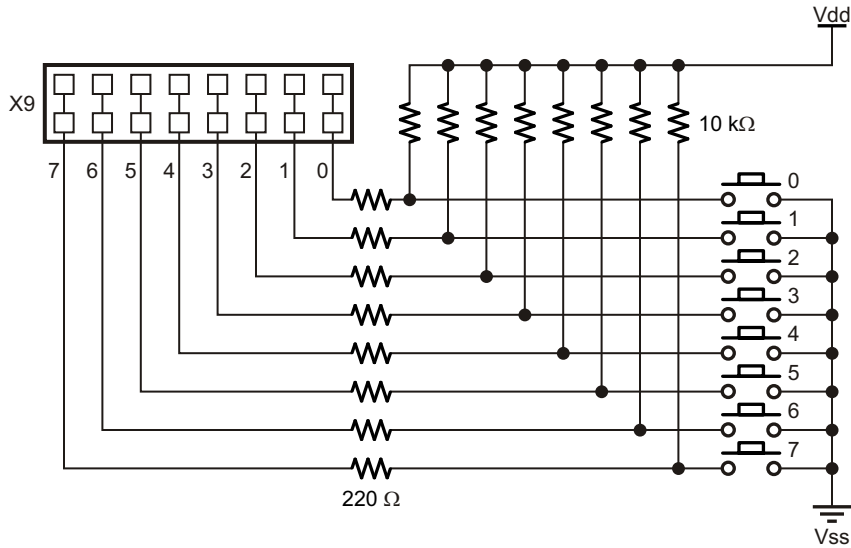
## 4-CH DRIVER



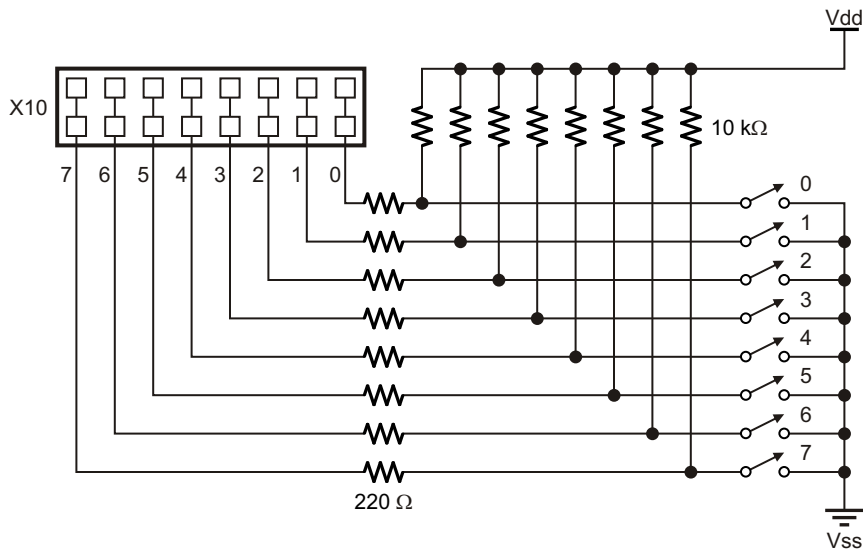
# Professional Development Board Schematic Rev. B

Updated 5-23-05 © Parallax, Inc.

### PUSH BUTTONS



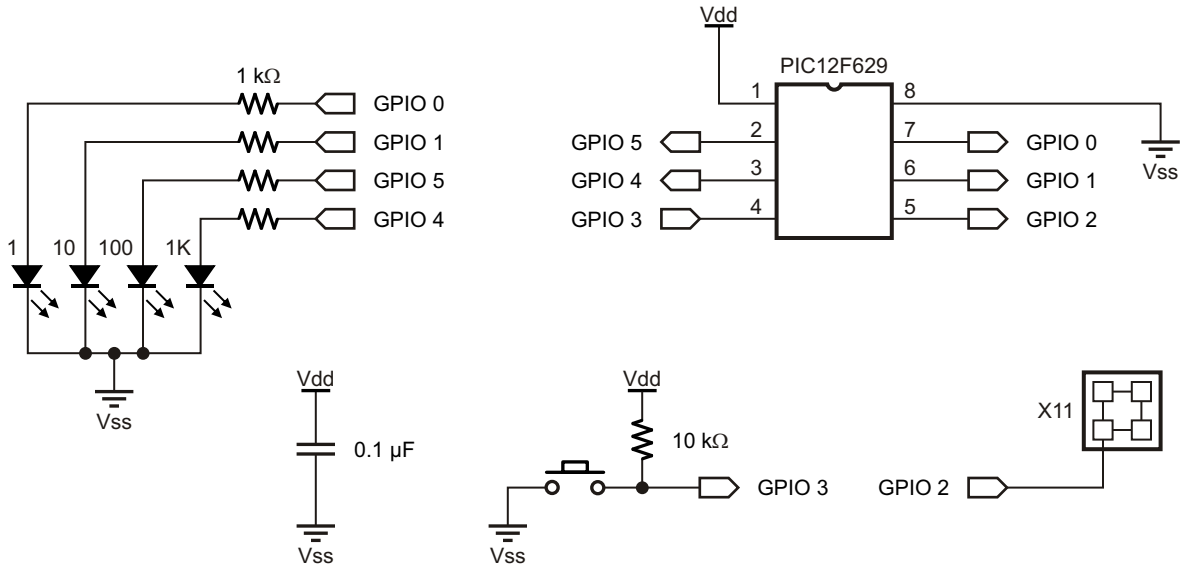
### DIP SWITCHES



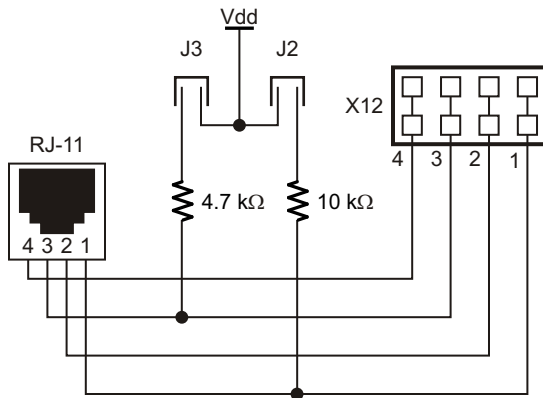
# Professional Development Board Schematic Rev. B

Updated 5-23-05 © Parallax, Inc.

### PULSE GENERATOR

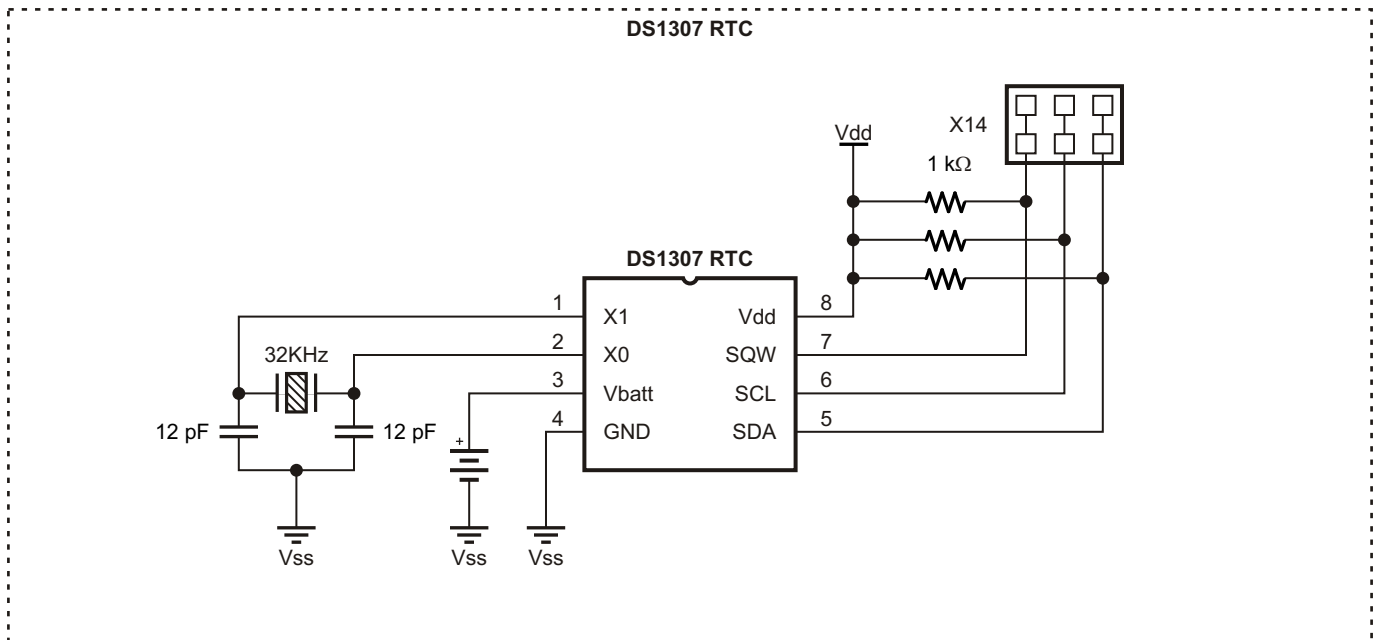
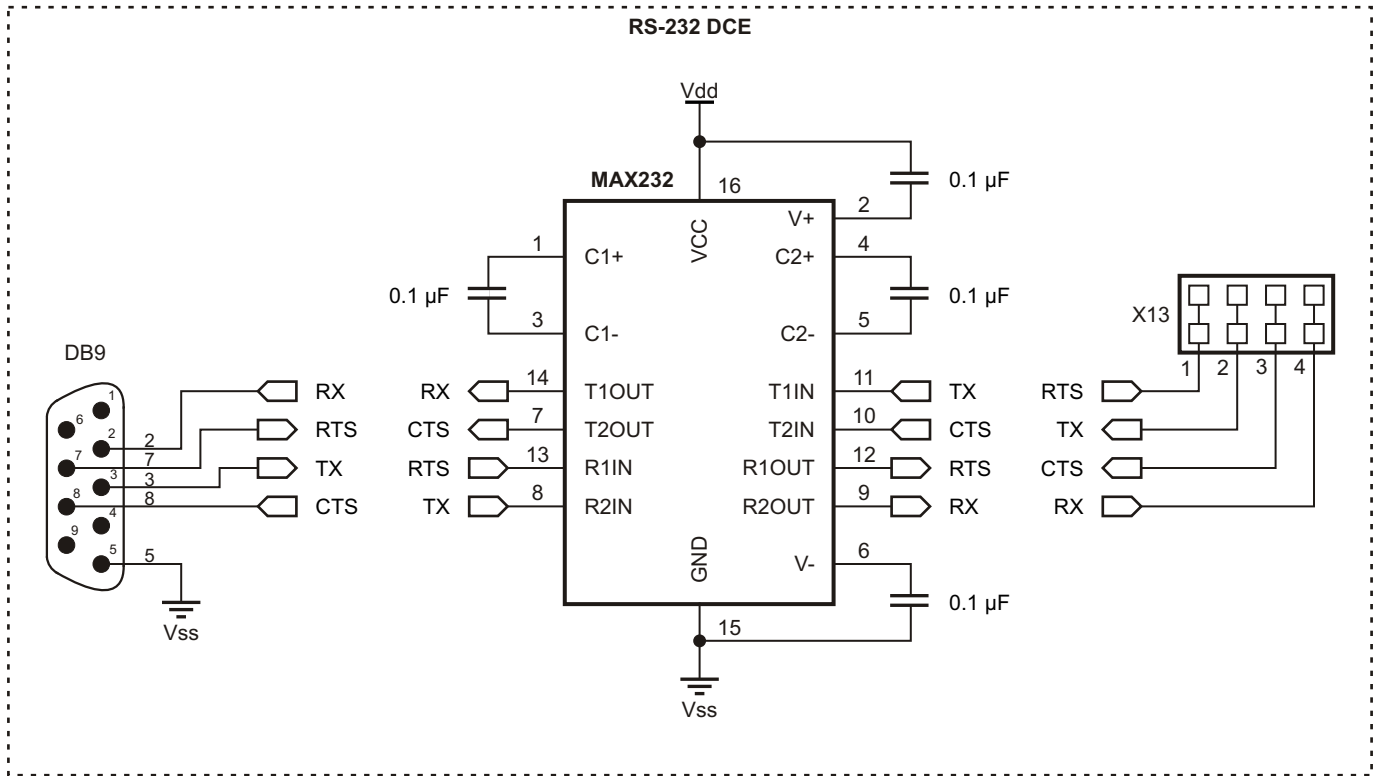


### RJ-11



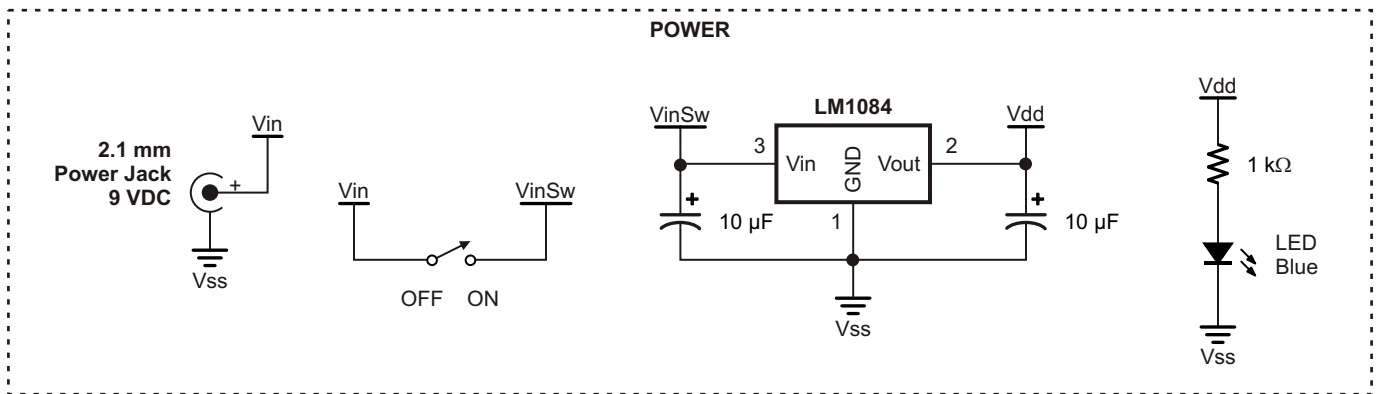
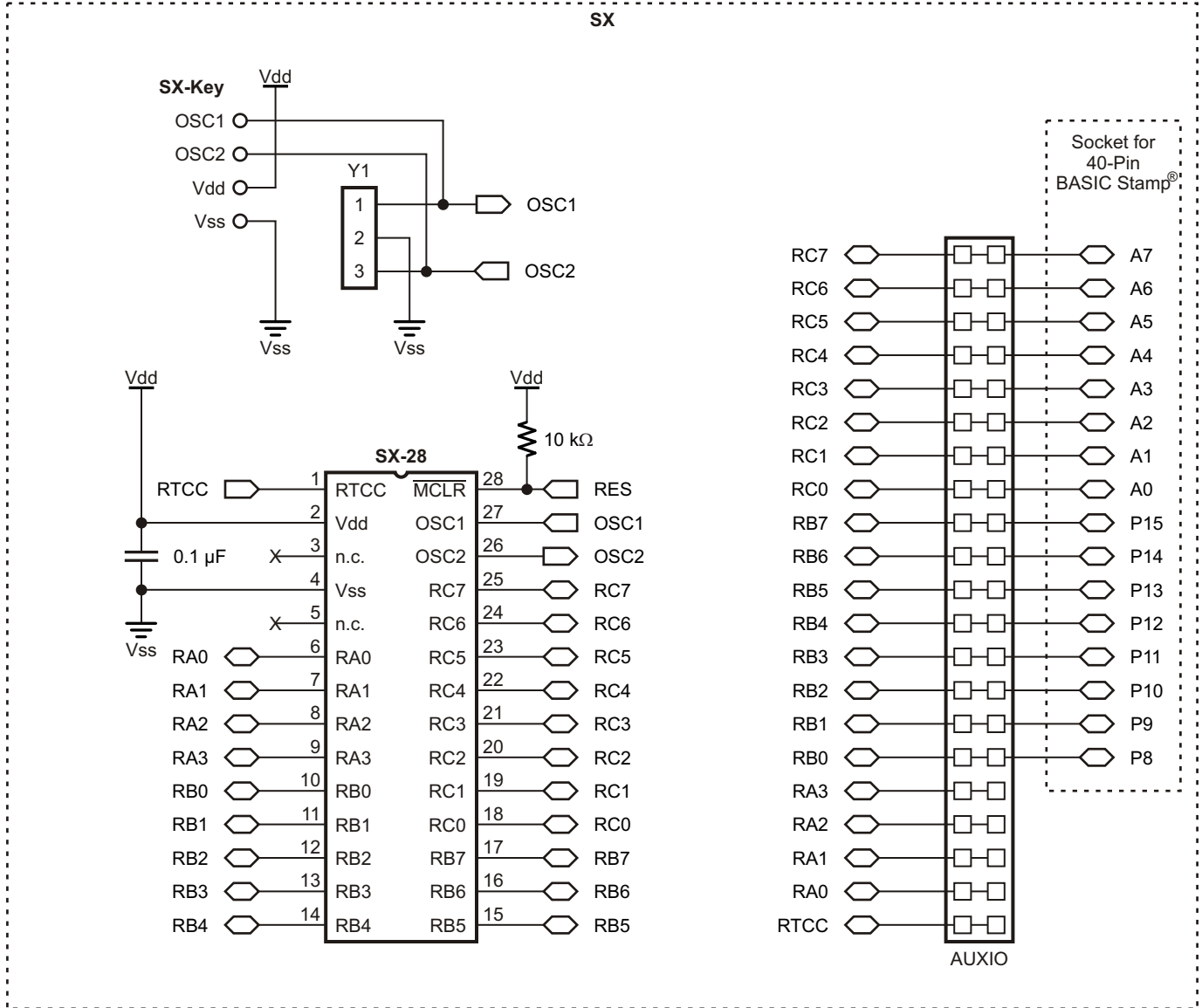
# Professional Development Board Schematic Rev. B

Updated 5-23-05 © Parallax, Inc.



## Professional Development Board Schematic Rev. B

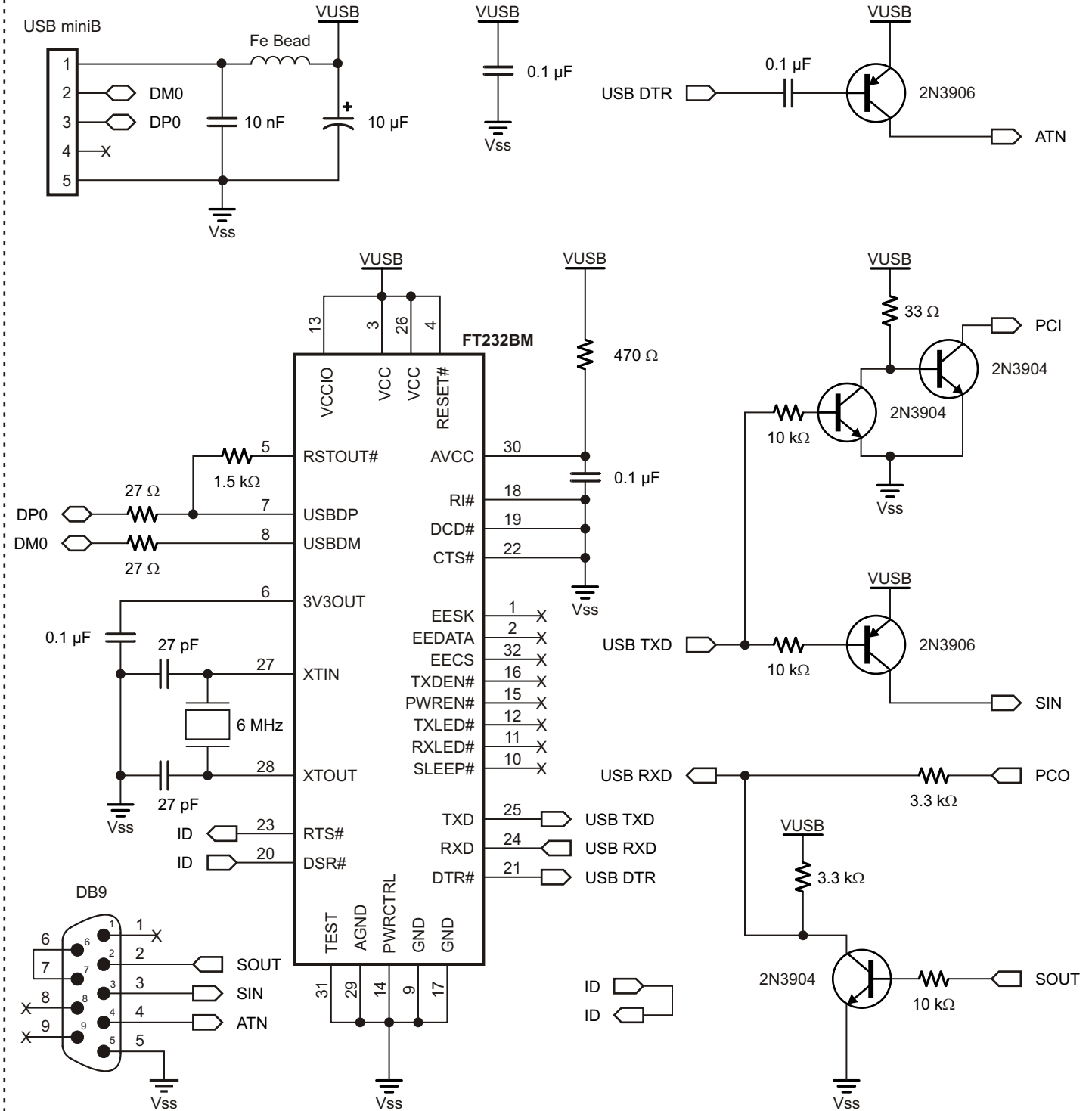
Updated 5-23-05 © Parallax, Inc.



## Professional Development Board Schematic Rev. B

Updated 5-23-05 © Parallax, Inc.

### USB

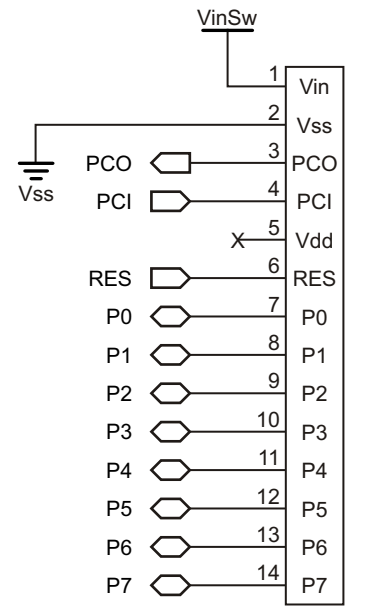
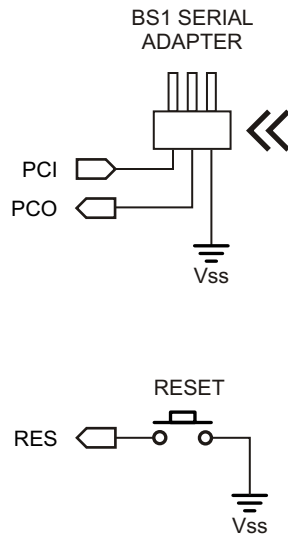
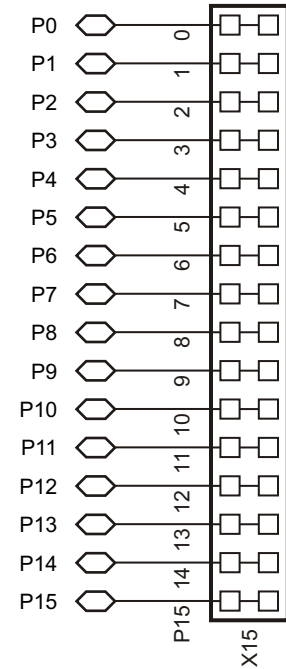
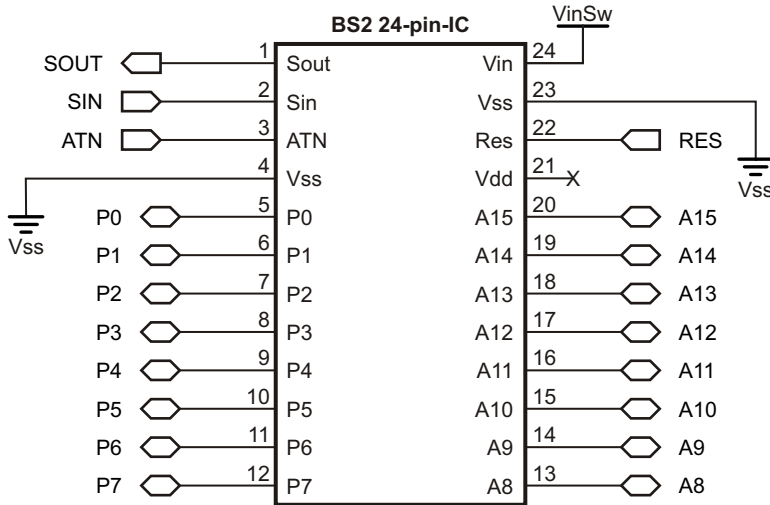




## Professional Development Board Schematic Rev. B

Updated 5-23-05 © Parallax, Inc.

### SOCKETS for BASIC STAMP®



# Professional Development Board Schematic Rev. B

Updated 5-23-05 © Parallax, Inc.

