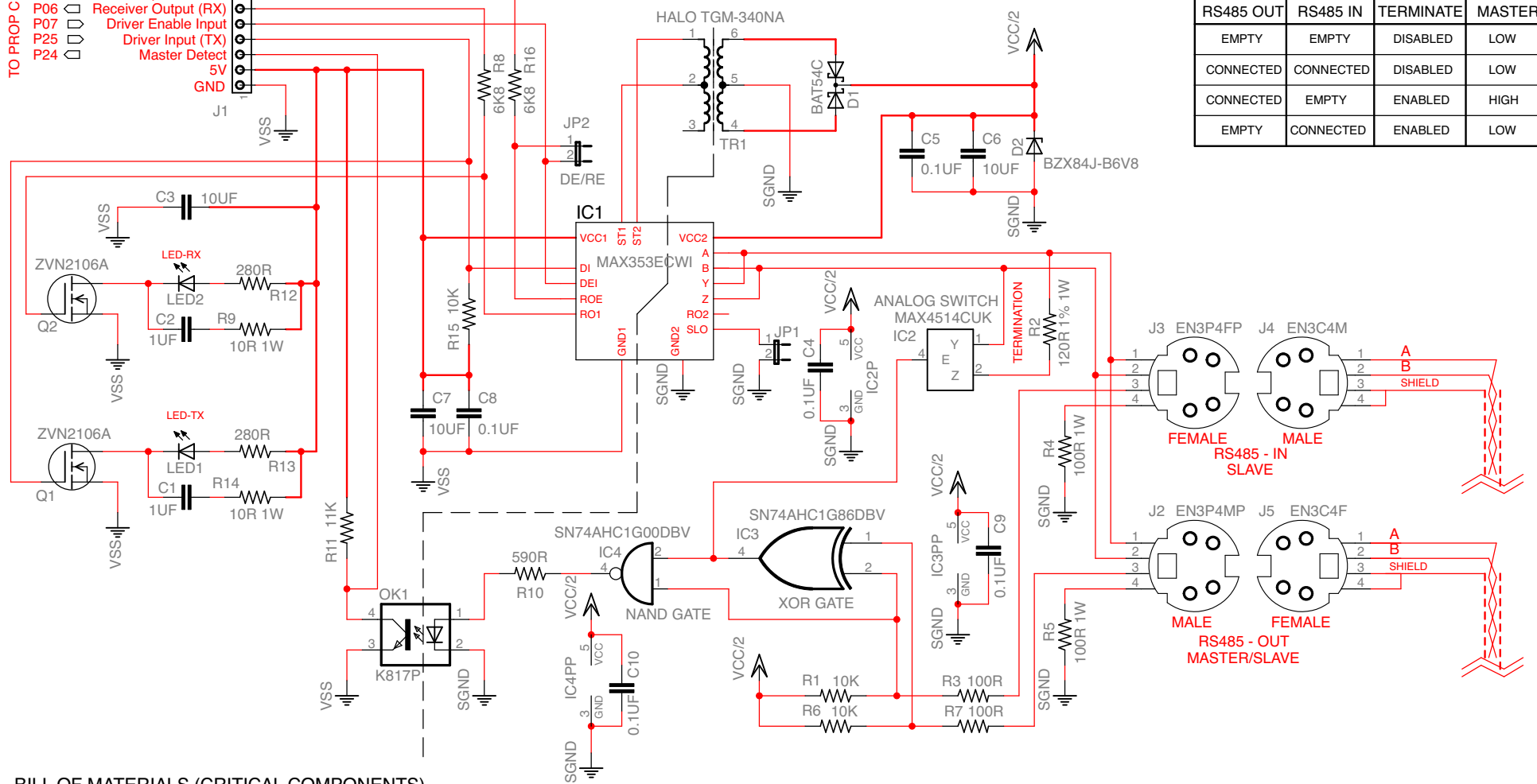


TO PROP CHIP
 P?? Recvr Output En/Fault
 P06 Receiver Output (RX)
 P07 Driver Enable Input
 P25 Driver Input (TX)
 P24 Master Detect
 5V
 GND



CABLE CONNECTION - LOGIC TABLE

| RS485 OUT | RS485 IN | TERMINATE | MASTER |
|-----------|-----------|-----------|--------|
| EMPTY | EMPTY | DISABLED | LOW |
| CONNECTED | CONNECTED | DISABLED | LOW |
| CONNECTED | EMPTY | ENABLED | HIGH |
| EMPTY | CONNECTED | ENABLED | LOW |

BILL OF MATERIALS (CRITICAL COMPONENTS)

| POSITION | ITEM CODE | DESCRIPTION |
|----------|----------------|---|
| IC1 | MAX3535ECWI | MAXIM - RS485 TRANSCEIVER IC 5V - GALVANIC ISOLATED |
| TR1 | TGM-340NA | ISOLATION TRANSFORMER 3KVRMS 1:1.3CT |
| IC2 | MAX4514CUK | MAXIM CMOS ANALOG SWITCH SPST SOT23-5 |
| IC3 | SN74AHC1G86DBV | TI - SINGLE 2-INPUT XOR GATE SOT23-5 |
| OK1 | K817P | OPTO COUPLER - SINGLE - LOGIC IN & OUT |
| Q1, Q2 | ZVN2106A | ZATEK - MOSFET N CHANNEL LOGIC LEVEL GATE 60V 400ma |
| D1 | BAT54C | FAIRCHILD - SCHOTTKY DIODE DUAL SOT-23 |
| IC4 | SN74AHC1G00DBV | TI - 2 INPUT SINGLE NAND GATE SOT-23-5 |

AUTO TERMINATION - GALVANIC ISOLATED - MASTER/SLAVE DETECT 5V
 THIS SCHEMATIC IS NOT TESTED!!!

TITLE: RS485-INTERFACE BOARD REV-K

Document Number: _____ REV: _____

Date: 11/03/09 Wed, 11 Mar 2009 5:41 AM 1/1