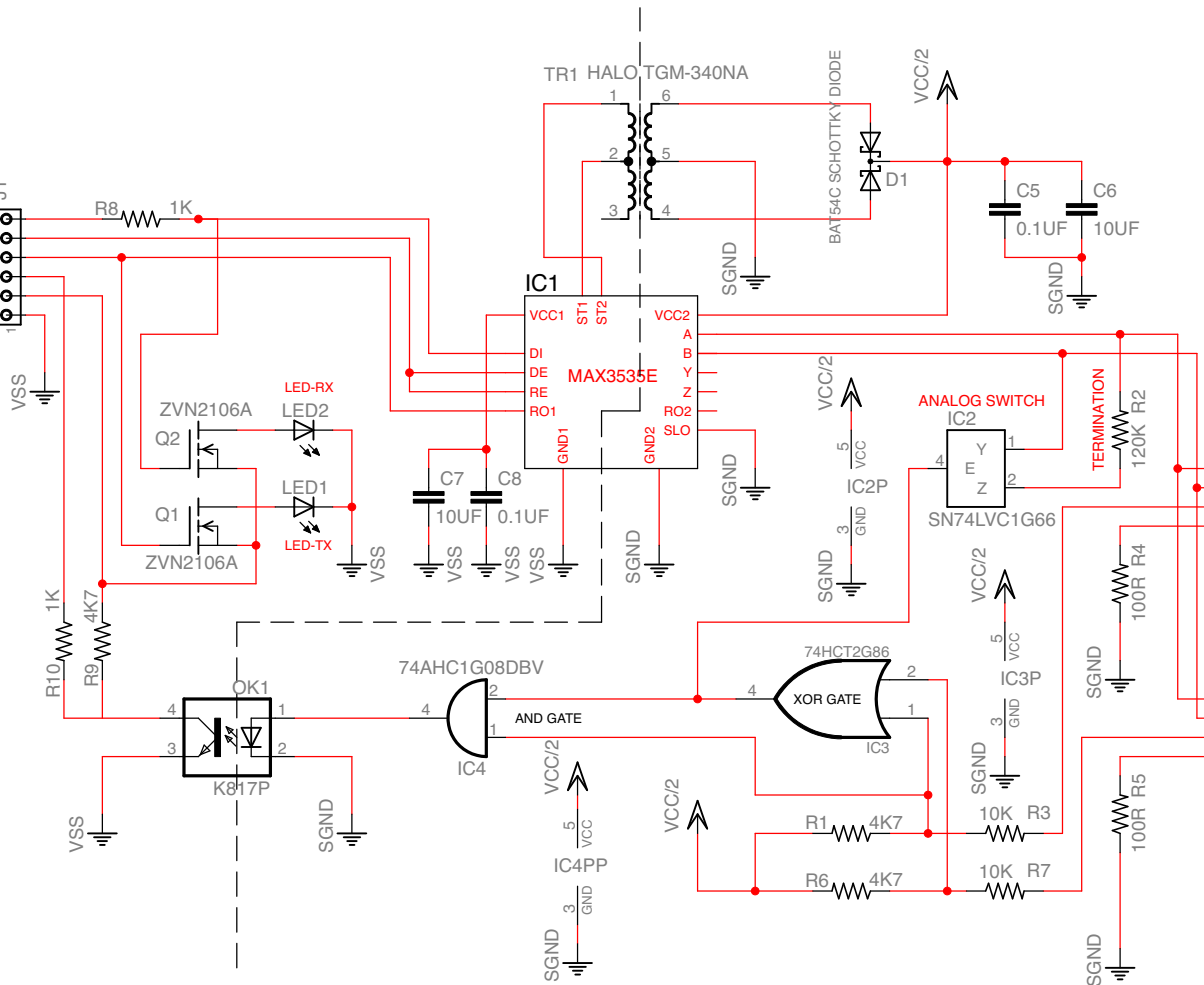


TO PROP CHIP

P06 RS485 RX  
P07 RXEnable  
P25 RS485 TX  
P24 Master Detect  
5V  
GND



**CABLE CONNECTION - LOGIC TABLE**

RS485 OUT	RS485 IN	TERMINATE	MASTER
EMPTY	EMPTY	DISABLED	LOW
CONNECTED	CONNECTED	DISABLED	LOW
CONNECTED	EMPTY	ENABLED	HIGH
EMPTY	CONNECTED	ENABLED	LOW

**BILL OF MATERIALS (CRITICAL COMPONENTS)**

POSITION	ITEM CODE	DESCRIPTION
IC1	MAX3535E	RS485 TRANSCEIVER IC 5V - GALVANIC ISOLATED
TR1	TGM-340NA	TRANSFORMER HALO
IC2	SN74LVC1G66	SINGLE ANALOG SWITCH - LOGIC INPUTS
IC3	74HCT2G86	DUAL 2-INPUT EXCLUSIVE OR GATE
OK1	K817P	OPTO COUPLER - SINGLE - LOGIC IN & OUT
Q1, Q2	ZVN2106A	MOSFET - N CHANNEL LOGIC LEVEL GATE
D1	BAT54C	SCHOTTKY DIODE DUAL
IC4	74AHC1G08DB	2 INPUT AND GATE

**AUTO TERMINATION - GALVANIC ISOLATED - MASTER/SLAVE DETECT 5V**  
**THIS SCHEMATIC IS NOT TESTED!!!**

TITLE: RS485-INTERFACE BOARD REV-C

Document Number: \_\_\_\_\_ REV: \_\_\_\_\_

Date: 1/03/09 Sun, 01 Mar 2009 12:58 PM 1/1