

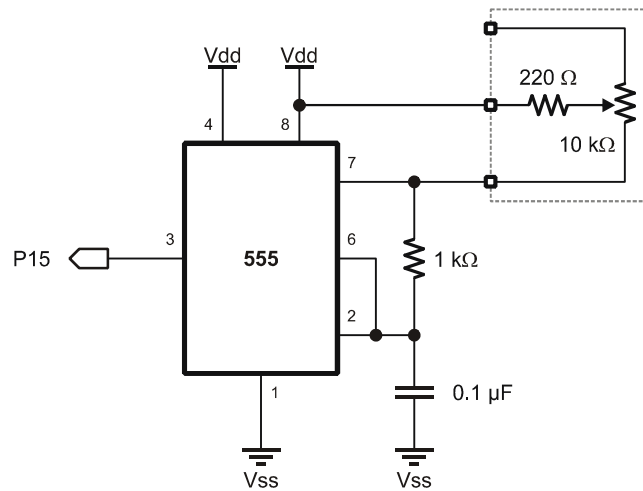
## EXPERIMENT #16: FREQUENCY MEASUREMENT

This experiment demonstrates how the BASIC Stamp can measure the frequency of an input signal by using the `COUNT` function.

### Look It Up: PBASIC Elements to Know

- `COUNT`
- `#SELECT-#CASE-#ENDSELECT`

### Building the Circuit



Note: The 1 kΩ resistor is marked: brown-black-red.