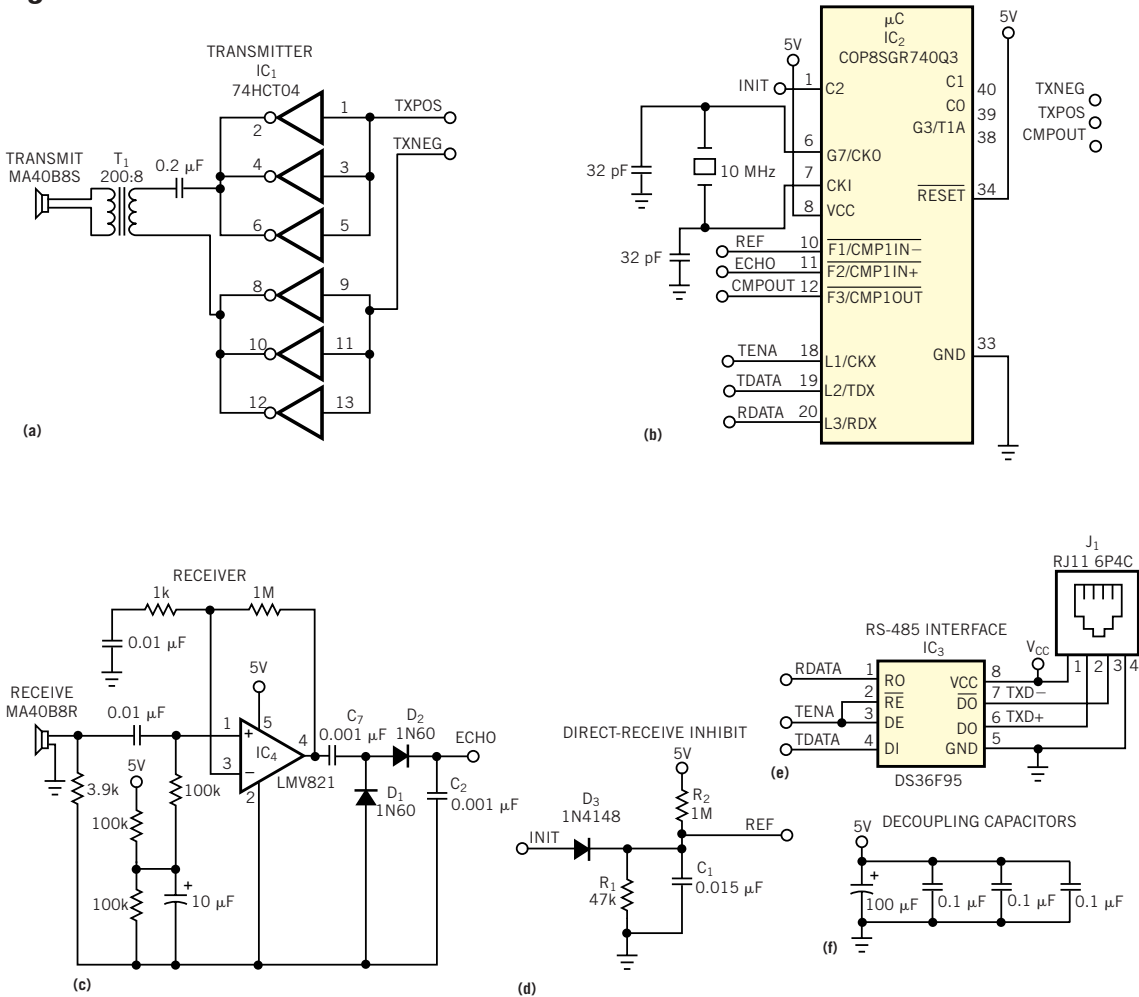


Figure 1



The range-finder module consists of five main subcircuits: a transmitter (a), a μC (b), a receiver (c), a direct-receive inhibit circuit (d), and an RS-485 interface (e), in addition to the requisite decoupling capacitors (f).