


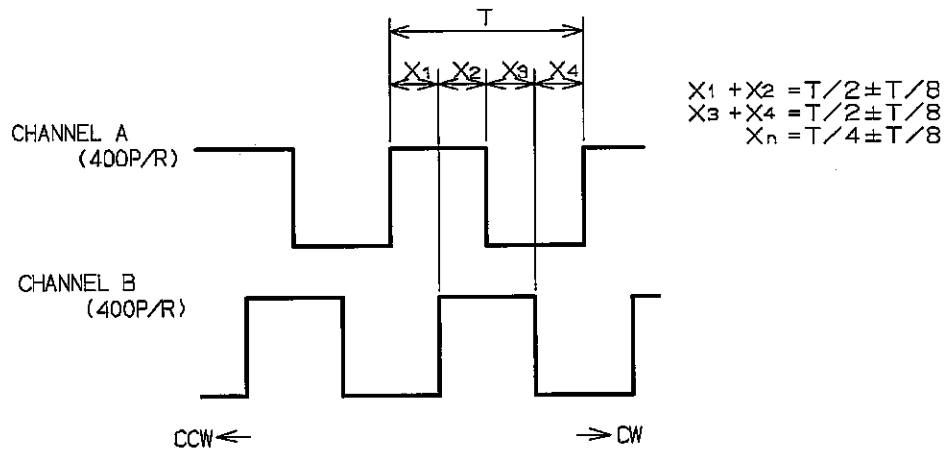
MODEL C 8 9 3 9 - 9 0 1 2 K E

1. Number of Phases	2 (Unipolar 4)	Phases	
2. Drive Sequence	Full Step      Half Step		
3. Step Angle	1.8°              0.9°		
4. Accuracy	±0.05°		
5. DC Volts	4	V	
6. Holding Torque	0.320 {45.4}	0.226 {32.0}	N·m {oz-in}
7. Amperes per Winding	1.2	A / Phase	
8. Ohms per Winding	3.3±10%	Ω / Phase	
9. Inductance per Winding	2.8±20%	mH/ Phase	
10. Rotor Inertia[J]	68 × 10 <sup>-7</sup> {0.372}	kg·m <sup>2</sup> {oz-in <sup>2</sup> }	
11. Insulation Resistance	100MΩ or more at a normal ambient temperature and humidity. (At DC 500V megger between the windings and the frame.)		
12. Dielectric Strength	No abnormality occurs when 0.5kV at 50 or 60Hz is applied between the windings and the frame for one minute after a period of continuous operation under normal ambient temperature and humidity.		
13. Temperature Rise	Temperature rise of the coil measured by the Change Resistance Method is 80°C{144° F} or less.(at standstill,two phases energized)		
14. Ambient Temperature	-10°C~+50°C {14° F~122° F}		
15. Insulation Class	IEC Standard:Class B		
16. Coating	Motor:Black(Except Endbell) Encoder:Black		

△			DESIGN	DES CHK	APPRO
△			NOV.27.2001	E.Matsuo	T.Morita
△			M.Morikawa		
 ORIENTAL MOTOR CO.,LTD.			SP-781583		△

## 17. ROTARY ENCODER

17-1. Type	Incremental	
17-2. Resolution	400	P/R
17-3. Output	2 CHANNEL A.B	
17-4. Input Voltage	5±10%	V
17-5. Input Current	17(TYP.)	mA
17-6. Output Type	TTL	
17-7. Response Frequency	100(max.)	KHZ
17-8. Operating Temperature	-40 ~ +100	°C
17-9. Output(provides CW rotation as viewed from mounting surface of motor.)		



18. Mass	0.38 kg (0.84 lbs.)
19. Dimensional Drawing	No. S-781078
20. Sequence	No. SEQ-7001A

△		DESIGN	DES CHK	APPRO
△		NOV.27.2001 M.Morikawa	E.Matsuo	T.Morita
△				
ORIENTAL MOTOR CO.,LTD.		SP-781583		△

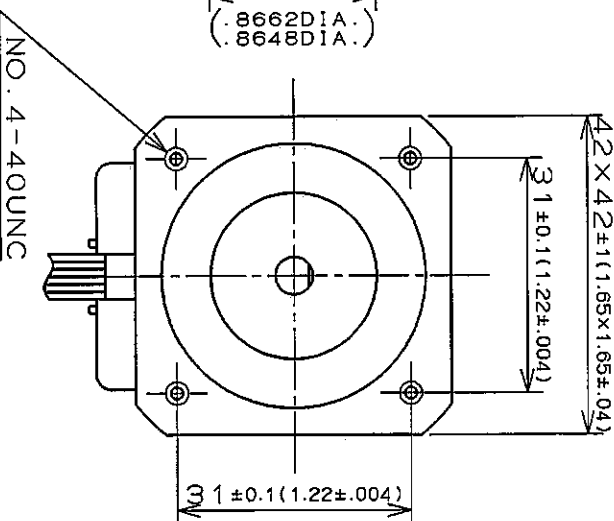
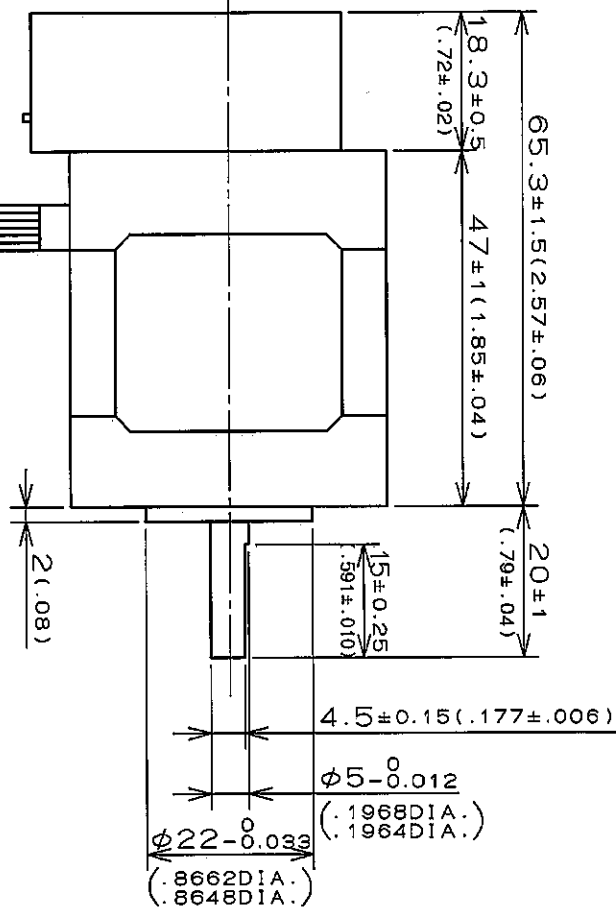
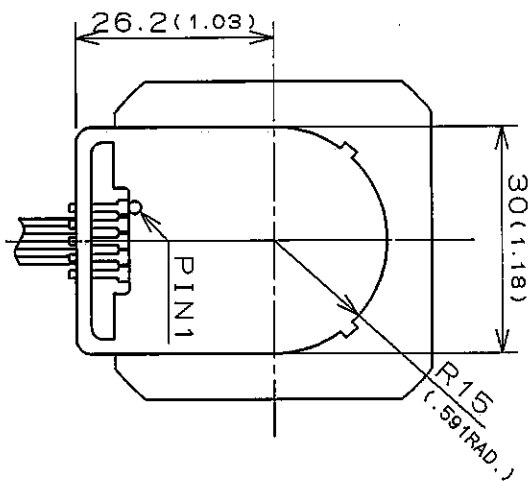
S- 781078

TITLE STEPPING MOTOR  
DIMENSIONAL DRAWING

MODEL  
C8939-9012KE

DIMENSIONS IN MILLIMETERS (INCHES)

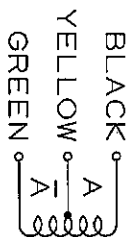
SCALE 1/1



6 LEADS 300 (12) LENGTH  
UL STYLE 3265, AWG 24

4.5 (.17) DEEP 4 PLACES

WIRING DIAGRAM



ROTARY ENCODER

PIN NO.	
1	GND
2	N.C.
3	CH.A
4	+5V
5	CH.B

DESIGN	DES CHK	APPRO
NOV. 27, 2001		
M. Morikawa	E. Matsuo	T. Morita
S- 781078		