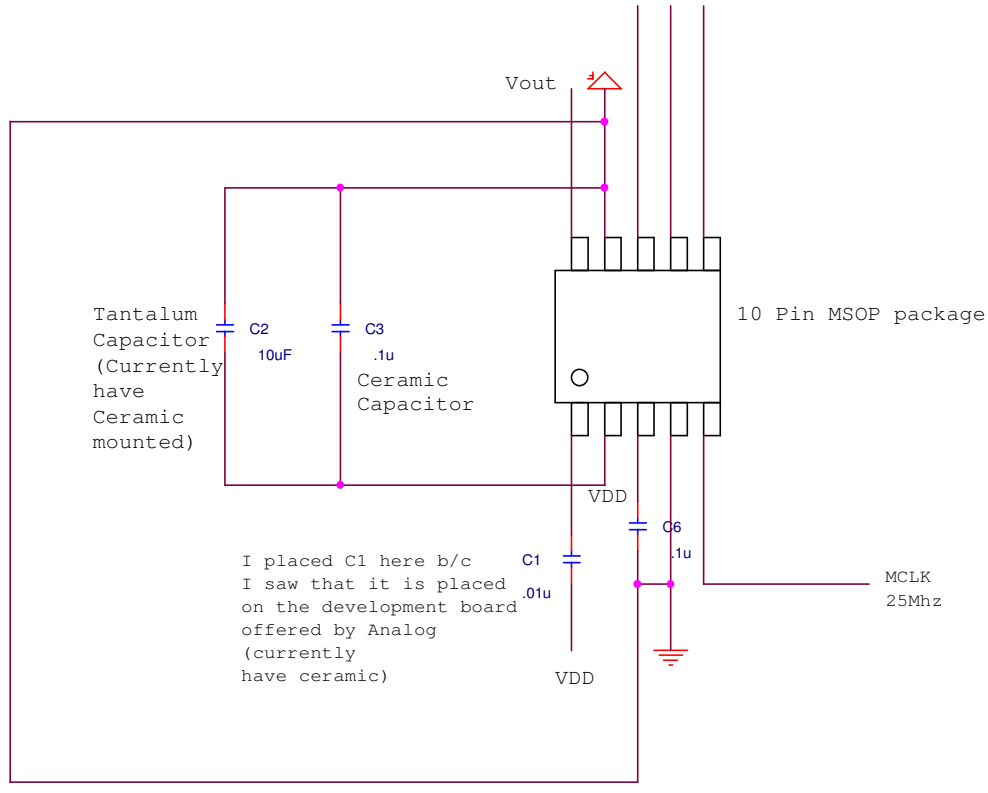


SPI interfacing



Tantalum Capacitor (Currently have Ceramic mounted)

C2 10uF

C3 .1u Ceramic Capacitor

I placed C1 here b/c I saw that it is placed on the development board offered by Analog (currently have ceramic)

C1 .01u

VDD

C6 .1u

VDD

MCLK 25Mhz

10 Pin MSOP package

- Pin
- 1 - COMP
 - 2 - VDD (+5 Volts)
 - 3 - CAP/2.5 V
 - 4 - Digital Ground
 - 5 - MCLK input
 - 6 - SDATA
 - 7 - SCLK
 - 8 - FSYNC
 - 9 - Analog Ground
 - 10 - Vout

Title		
<Title>		
Size	Document Number	Rev
A	<Doc>	<Rev Code>
Date:	Thursday, April 03, 2008	Sheet 1 of 1