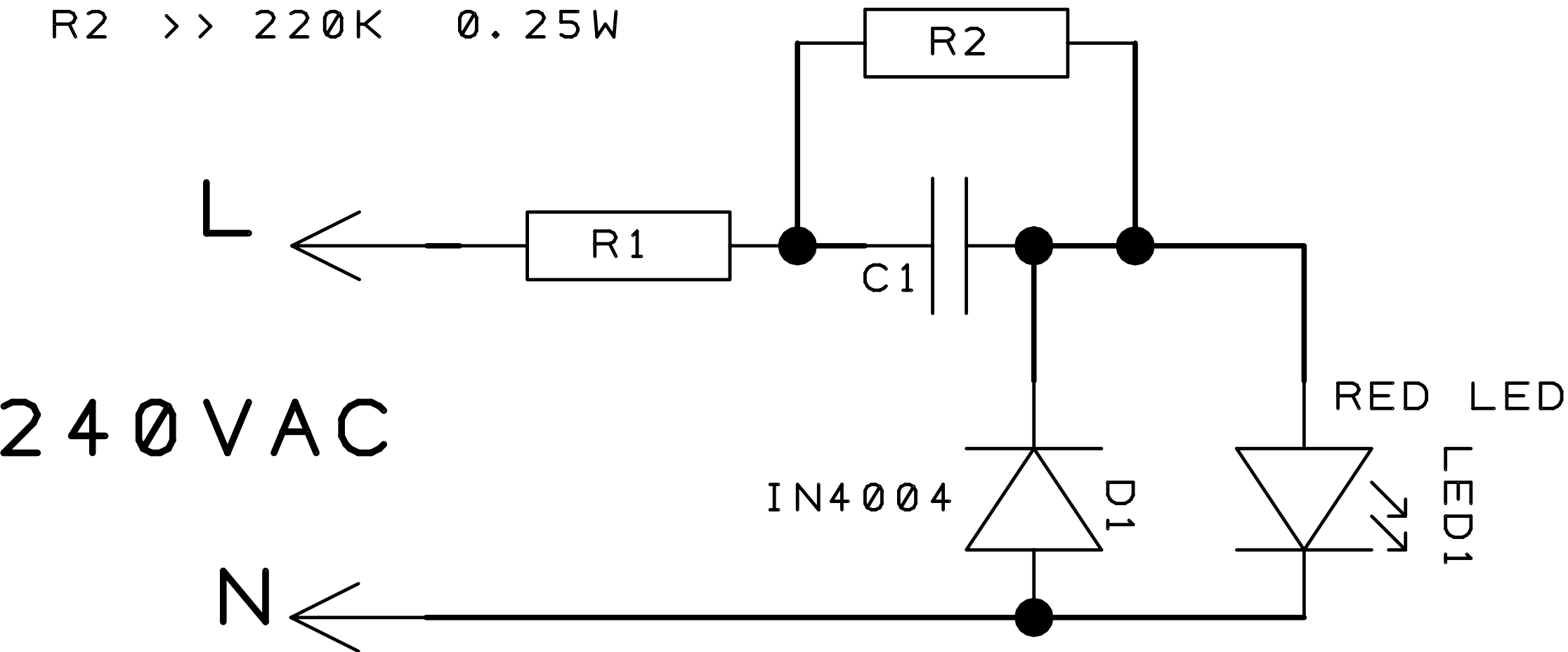


C1 >> 0.33 UF 400..630 VAC  
 R1 >> 270 0.50W  
 R2 >> 220K 0.25W

RTN



240 VAC

RED LED

1N4004

D1

LED1

N

$$X_C = \frac{1}{(2\pi f * C)}$$