

# DATA SHEET



## **LM75A**

Digital temperature sensor and  
thermal watchdog

Product data sheet  
Supersedes data of 2004 Oct 05

2006 Jun 27

# Digital temperature sensor and thermal watchdog

## LM75A

### GENERAL DESCRIPTION

The LM75A is a temperature-to-digital converter using an on-chip band-gap temperature sensor and Sigma-delta A-to-D conversion technique. The device is also a thermal detector providing an over-temp detection output. The LM75A contains a number of data registers: Configuration register (Conf) to store the device settings such as device operation mode, OS operation mode, OS polarity and OS fault queue as described in the functional description section; temperature register (Temp) to store the digital temp reading, and set-point registers (Tos & Thyst) to store programmable overtemp shutdown and hysteresis limits, that can be communicated by a controller via the 2-wire serial I<sup>2</sup>C-bus interface. The device also includes an open-drain output (OS) which becomes active when the temperature exceeds the programmed limits. There are three selectable logic address pins so that eight devices can be connected on the same bus without address conflict.

The LM75A can be configured for different operation conditions. It can be set in normal mode to periodically monitor the ambient temperature, or in shutdown mode to minimize power consumption. The OS output operates in either of two selectable modes: OS comparator mode and OS interrupt mode. Its active state can be selected as either HIGH or LOW. The fault queue that defines the number of consecutive faults in order to activate the OS output is programmable as well as the set-point limits.

The temperature register always stores an 11-bit 2's complement data giving a temperature resolution of 0.125 °C. This high temperature resolution is particularly useful in applications of measuring precisely the thermal drift or runaway.

The device is powered-up in normal operation mode with the OS in comparator mode, temperature threshold of 80 °C and hysteresis of 75 °C, so that it can be used as a stand-alone thermostat with those pre-defined temperature set points.

### FEATURES

- Pin-for-pin replacement for industry standard LM75 and offers improved temperature resolution of 0.125 °C and specification of a single part over power supply range from 2.8 V to 5.5 V.
- Small 8-pin package types: SO8 and TSSOP8
- I<sup>2</sup>C-bus interface with up to 8 devices on the same bus
- Power supply range from 2.8 V to 5.5 V
- Temperatures range from –55 °C to +125 °C
- 11-bit ADC that offers a temperature resolution of 0.125 °C
- Temperature accuracy of:
  - ±2 °C from –25 °C to +100 °C
  - ±3 °C from –55 °C to +125 °C
- Programmable temperature threshold and hysteresis set points
- Supply current of 3.5 µA in shut-down mode for power conservation
- Stand-alone operation as thermostat at power-up.
- ESD protection exceeds 2000 V HBM per JESD22-A114, 200 V MM per JESD22-A115 and 1000 V CDM per JESD22-C101
- Latch-up testing is done to JESDEC Standard JESD78 which exceeds 100 mA

### APPLICATIONS

- System thermal management
- Personal computers
- Electronics equipment
- Industrial controllers.

### ORDERING INFORMATION

$T_{amb} = -55\text{ °C to }+125\text{ °C}$

TYPE NUMBER	Topside mark	PACKAGE		
		NAME	DESCRIPTION	VERSION
LM75AD	LM75A	SO8	plastic small outline package; 8 leads; body width 3.9 mm	SOT96-1
LM75ADP	L75A	TSSOP8	plastic thin shrink small outline package; 8 leads; body width 3 mm	SOT505-1

# Digital temperature sensor and thermal watchdog

LM75A

## PINNING

### Pin configuration

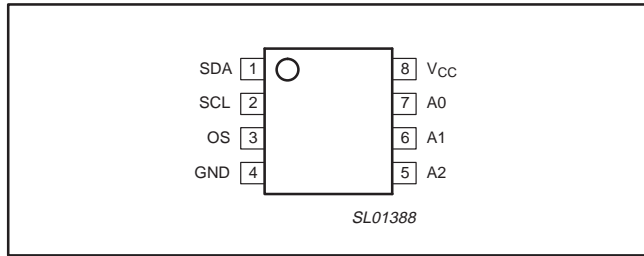


Figure 1. SO8 and TSSOP8 pin configurations

### Pin description

PIN	SYMBOL	DESCRIPTION
1	SDA	Digital I/O. I <sup>2</sup> C serial bi-directional data line. Open Drain.
2	SCL	Digital input. I <sup>2</sup> C serial clock input.
3	OS	Overtemp Shutdown output. Open Drain.
4	GND	Ground. To be connected to the system ground.
5	A2	Digital input. User-defined address bit2.
6	A1	Digital input. User-defined address bit1.
7	A0	Digital input. User-defined address bit0.
8	V <sub>CC</sub>	Power supply.

## SIMPLIFIED BLOCK DIAGRAM

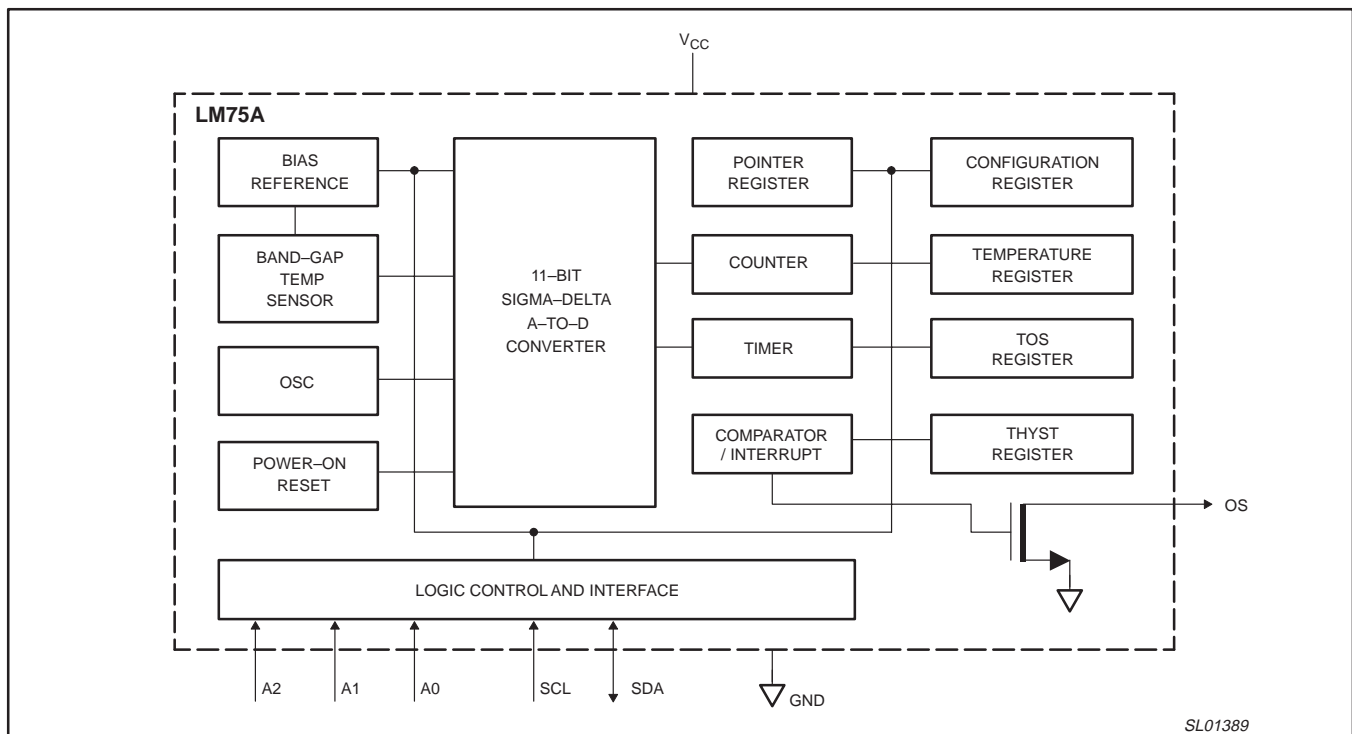


Figure 2. Simplified block diagram

# Digital temperature sensor and thermal watchdog

# LM75A

## TYPICAL APPLICATION

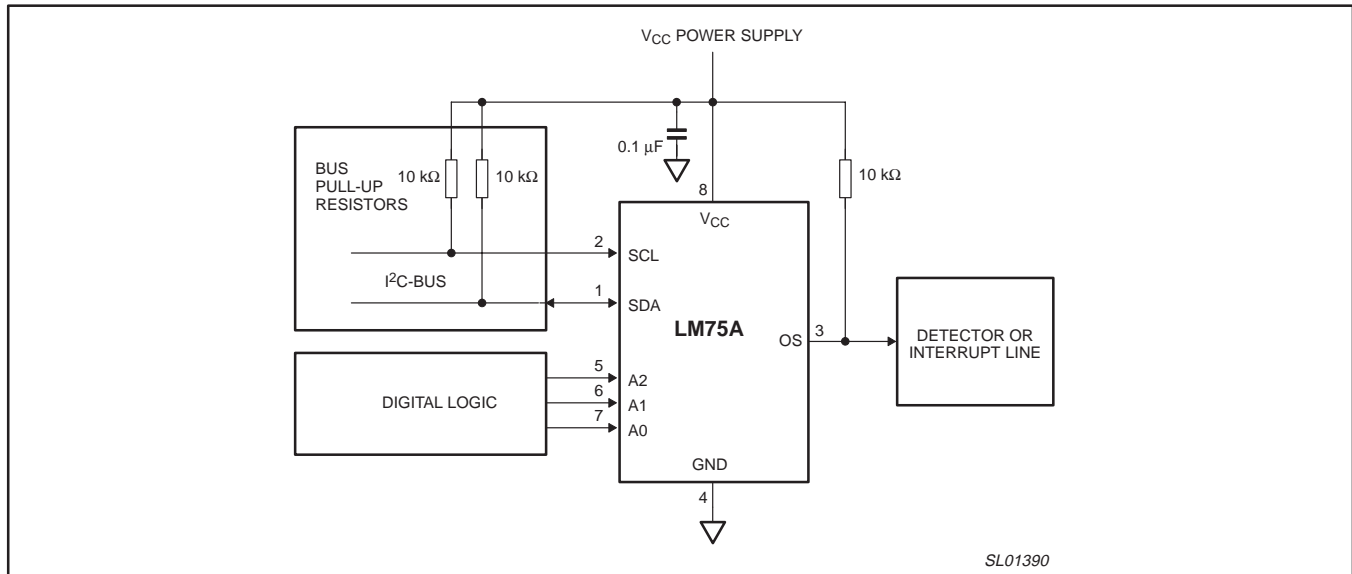


Figure 3. Typical application

## ABSOLUTE MAXIMUM RATINGS<sup>1</sup>

SYMBOL	PARAMETER	MIN.	MAX.	UNIT
	V <sub>CC</sub> to GND	-0.3	+6.0	V
	Voltage at input pins	-0.3	+6.0	V
	Current at input pins	-5.0	+5.0	mA
	OS output sink current	-	10.0	mA
	OS output voltage	-0.3	+6.0	V
ESD	Human Body Model	-	2000	V
	Machine Model	-	200	V
T <sub>stg</sub>	Storage temperature range	-65	+150	°C
T <sub>j</sub>	Junction temperature	-	150	°C

**NOTE:**

- This is a stress rating only. Functional operation of the device as indicated in the operational section is not applied to this absolute maximum rating. Stresses above those listed in 'Absolute Maximum Ratings' may cause permanent damage to the device and exposure to any of these rating conditions for extended periods may affect device reliability.

## OPERATING RATINGS

SYMBOL	PARAMETER	MIN.	MAX.	UNIT
V <sub>CC</sub>	Supply voltage	2.8	5.5	V
T <sub>amb</sub>	Operating ambient temperature range	-55	+125	°C

## Digital temperature sensor and thermal watchdog

LM75A

**DC ELECTRICAL CHARACTERISTICS** $V_{CC} = 2.8\text{ V to }5.5\text{ V}$ ,  $T_{amb} = -55\text{ °C to }+125\text{ °C}$  unless otherwise noted.

SYMBOL	PARAMETER	CONDITIONS	MIN.	TYP. <sup>1</sup>	MAX.	UNIT
T <sub>ACC</sub>	Temperature accuracy	T <sub>amb</sub> = -25 °C to +100 °C	-2	-	+2	°C
		T <sub>amb</sub> = -55 °C to +125 °C	-3	-	+3	°C
T <sub>RES</sub>	Temperature resolution	11-bit digital temp data	-	0.125	-	°C
T <sub>CON</sub>	Temperature conversion	Normal mode	-	100	-	ms
I <sub>DD</sub>	Supply quiescent current	Normal mode: I <sup>2</sup> C inactive	-	100	-	μA
		Normal mode: I <sup>2</sup> C active	-	-	1.0	mA
		Shut-down mode	-	3.5	-	μA
V <sub>IH</sub>	HIGH-level input voltage	Digital pins (SCL, SDA, A2-A0)	0.7 × V <sub>CC</sub>	-	V <sub>CC</sub> + 0.3	V
V <sub>IL</sub>	LOW-level input voltage	Digital pins	-0.3	-	0.3 × V <sub>CC</sub>	V
V <sub>IHYS</sub>	Input voltage hysteresis	SCL and SDA pins	-	300	-	mV
		A2-A0 pins	-	150	-	mV
I <sub>IH</sub>	HIGH-level input current	Digital pins; V <sub>IN</sub> = V <sub>CC</sub>	-1.0	-	+1.0	μA
I <sub>IL</sub>	LOW-level input current	Digital pins; V <sub>IN</sub> = 0 V	-1.0	-	+1.0	μA
V <sub>OL</sub>	LOW-level output voltage	SDA and OS pins; I <sub>OL</sub> = 3 mA	-	-	0.4	V
		I <sub>OL</sub> = 4 mA	-	-	0.8	V
I <sub>LO</sub>	Output leakage current	SDA and OS pins; V <sub>OH</sub> = V <sub>CC</sub>	-	-	10	μA
OSQ	OS fault queue	Programmable	1	-	6	Conv <sup>2</sup>
T <sub>os</sub>	Overtemp shutdown	Default value	-	80	-	°C
Thyst	Hysteresis	Default value	-	75	-	°C
C <sub>IN</sub>	Input capacitance	Digital pins	-	20	-	pF

**NOTE:**

- Typical values are at V<sub>CC</sub> = 3.3 V and T<sub>amb</sub> = 25 °C.
- Conv: device A-to-D conversion.

# Digital temperature sensor and thermal watchdog

LM75A

## I<sup>2</sup>C INTERFACE AC CHARACTERISTICS<sup>1</sup>

V<sub>CC</sub> = 2.8 V to 5.5 V, T<sub>amb</sub> = -55 °C to +125 °C unless otherwise noted.

SYMBOL	PARAMETER	CONDITIONS	MIN.	TYP.	MAX.	UNIT
t <sub>CLK</sub>	SCL clock period	See timing diagram (Figure 4)	2.5	–	–	μs
t <sub>HIGH</sub>	SCL HIGH pulse width		0.6	–	–	μs
t <sub>LOW</sub>	SCL LOW pulse width		1.3	–	–	μs
t <sub>HD:STA</sub>	START hold time		100	–	–	ns
t <sub>SU:DAT</sub>	data set-up time		100	–	–	ns
t <sub>HD:DAT</sub>	data hold time		0	–	–	ns
t <sub>SU:STO</sub>	STOP set-up time		100	–	–	ns
t <sub>F</sub>	fall time (SDA and OS outputs)	C <sub>L</sub> = 400 pF; I <sub>OL</sub> = 3 mA	–	250	–	ns

**NOTE:**

1. These specifications are guaranteed by design and not tested in production.

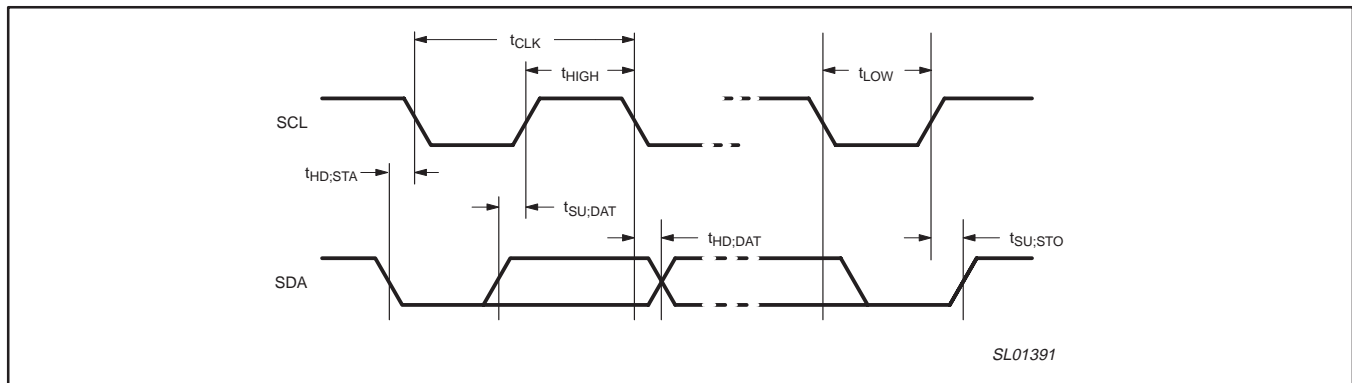


Figure 4. Timing diagram

# Digital temperature sensor and thermal watchdog

# LM75A

## FUNCTIONAL DESCRIPTION

### General operation

The LM75A uses the on-chip band-gap sensor to measure the device temperature with the resolution of 0.125 °C and stores the 11-bit 2's complement digital data, resulted from 11-bit A-to-D conversion, into the device Temp register. This Temp register can be read at any time by a controller on the I<sup>2</sup>C-bus. Reading temperature data does not affect the conversion in progress during the read operation.

The device can be set to operate in either mode: normal or shut-down. In normal operation mode, the temp-to-digital conversion is executed every 100 ms and the Temp register is updated at the end of each conversion. In shut-down mode, the device becomes idle, data conversion is disabled and the Temp register holds the latest result; however, the device I<sup>2</sup>C interface is still active and register write/ read operation can be performed. The device operation mode is controllable by programming bit B0 of the configuration register. The temperature conversion is initiated when the device is powered-up or put back into normal mode from shut-down.

In addition, at the end of each conversion in normal mode, the temperature data (or Temp) in the Temp register is automatically compared with the over-temp shut-down threshold data (or Tos) stored in the Tos register, and the hysteresis data (or Thyst) stored in the Thyst register, in order to set the state of the device OS output accordingly. The device Tos and Thyst registers are write/read capable, and both operate with 9-bit 2's complement digital data. To match with this 9-bit operation, the temp register uses only the 9 MSB bits of its 11-bit data for the comparison.

The way that the OS output responds to the comparison operation depends upon the OS operation mode selected by configuration

bit B1, and the user-defined fault queue defined by configuration bits B3 and B4.

In OS comparator mode, the OS output behaves like a thermostat. It becomes active when the Temp exceeds the Tos, and is reset when the Temp drops below the Thyst. Reading the device registers or putting the device into shut-down does not change the state of the OS output. The OS output in this case can be used to control cooling fans or thermal switches.

In OS interrupt mode, the OS output is used for thermal interruption. When the device is powered-up, the OS output is first activated only when the Temp exceeds the Tos; then it remains active indefinitely until being reset by a read of any register. Once the OS output has been activated by crossing Tos and then reset, it can be activated again only when the Temp drops below the Thyst; then again, it remains active indefinitely until being reset by a read of any register. The OS interrupt operation would be continued in this sequence: Tos trip, Reset, Thyst trip, Reset, Tos trip, Reset, Thyst trip, Reset, etc.

In both cases, comparator mode and interrupt mode, the OS output is activated only if a number of consecutive faults, defined by the device fault queue, has been met. The fault queue is programmable and stored in the two bits, B3 and B4, of the Configuration register. Also, the OS output active state is selectable as HIGH or LOW by setting accordingly the configuration register bit B2.

At power-up, the device is put into normal operation mode, the Tos is set to 80 °C, the Thyst is set to 75 °C, the OS active state is selected LOW and the fault queue is equal to 1. The temp reading data is not available until the first conversion is completed in about 100 ms.

The OS response to the temperature is illustrated in Figure 5.

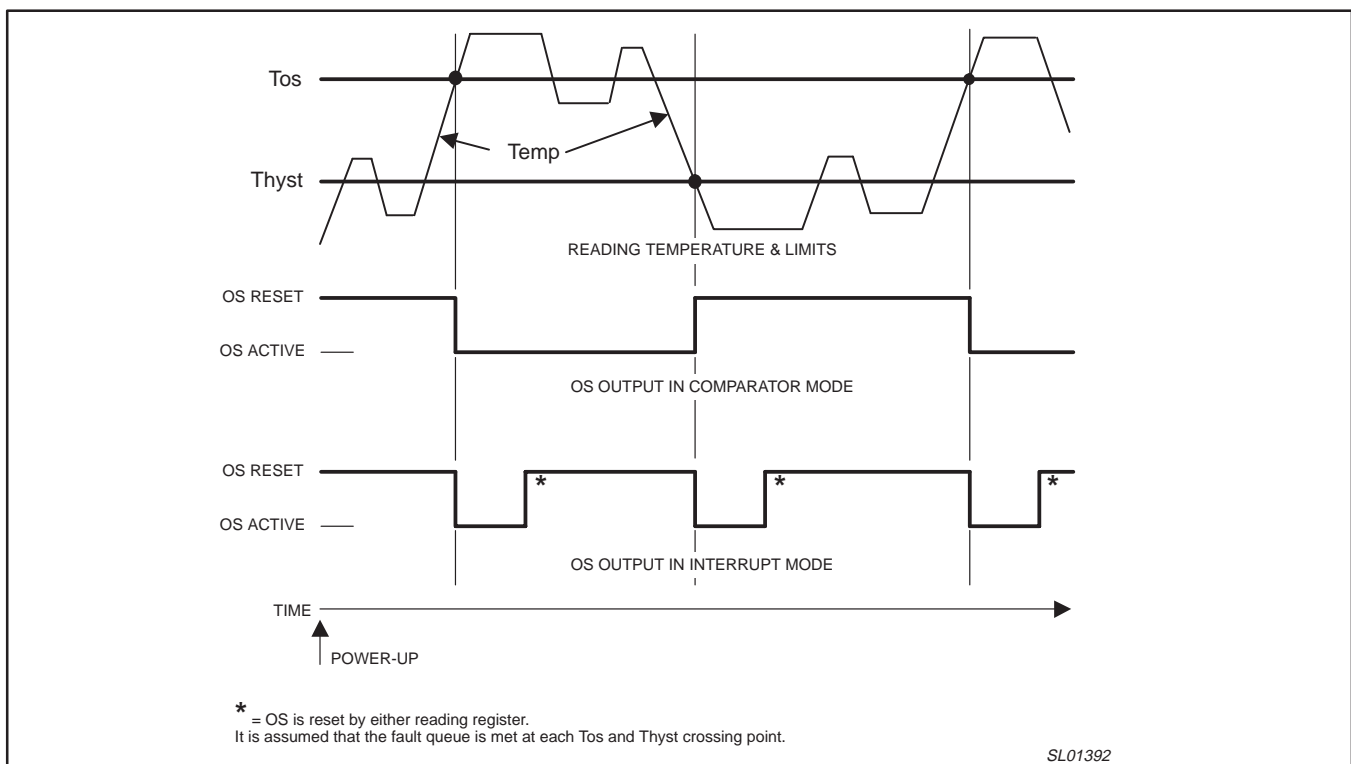


Figure 5. OS response to temperature

# Digital temperature sensor and thermal watchdog

# LM75A

## I<sup>2</sup>C serial interface

The LM75A can be connected to a compatible 2-wire serial interface I<sup>2</sup>C-bus as a slave device under the control of a controller or master device, using two device terminals, SCL and SDA. The controller must provide the SCL clock signal and write/read data to/from the device through the SDA terminal. Notice that if the I<sup>2</sup>C common pull-up resistors have not been installed as required for I<sup>2</sup>C-bus, then an external pull-up resistor, about 10 kΩ, is needed for each of these two terminals. The bus communication protocols are described in the data communication section.

## Slave address

The LM75A slave address on the I<sup>2</sup>C-bus is partially defined by the logic applied to the device address pins A2, A1 and A0. Each of them is typically connected either to GND for logic 0, or to V<sub>CC</sub> for logic 1. These pins represent the three LSB bits of the device 7-bit address. The other four MSB bits of the address data are preset to '1001' by hard wiring inside the LM75A. Table 1 shows the device's

complete address and indicates that up to 8 devices can be connected to the same bus without address conflict. Because the input pins, SCL, SDA, A2–A0, are not internally biased, it is important that they should not be left floating in any application.

**Table 1. Address table**

1 = HIGH, 0 = LOW

MSB						LSB
1	0	0	1	A2	A1	A0

## Register list

The LM75A contains four data registers beside the pointer register as listed in Table 2. The pointer value, read/write capability and default content at power up of the registers are also shown in the Register table.

**Table 2. Register table**

Register name	Pointer value	R/W	POR state	Description
Conf	01H	R/W	00H	<b>Configuration Register.</b> Contains a single 8-bit data byte. To set the device operating condition. Default = 0.
Temp	00H	Read only	N/A	<b>Temperature Register.</b> Contains two 8-bit data bytes. To store the measured Temp data.
Tos	03H	R/W	50 00H	<b>Over-temp Shutdown threshold Register.</b> Contains two 8-bit data bytes. To store the over-temp shut-down Tos limit. Default = 80 °C.
Thyst	02H	R/W	4B 00H	<b>Hysteresis Register.</b> Contains two 8-bit data bytes. To store the hysteresis Thyst limit. Default = 75 °C.

## Pointer register

The pointer register contains an 8-bit data byte of which the two LSB bits represent the pointer value of the other four registers, and the other 6 MSB bits are equal to 0, as shown in the Pointer register table (Table 3) and the Pointer value table (Table 4). The pointer register is not accessible to the user, but is used to select the data register for write/read operation by including the pointer data byte in the bus command.

Because the Pointer value is latched into the Pointer register when the bus command, which includes the pointer byte, is executed, a read from the LM75A may or may not include the pointer byte in the statement. To read again a register, which has been recently read and the pointer has been preset, the pointer byte does not have to be included. To read a register, which is different with the one that has been recently read, the pointer byte must be included. However, a write to the LM75A must always include the pointer byte in the statement. The bus communication protocols are described in detail in the data communication section.

**Table 3. Pointer register table**

B7	B6	B5	B4	B3	B2	B1	B0
0	0	0	0	0	0	Pointer value	

At power-up, the Pointer value is equal to 0 and the Temp register is selected; users can then read the Temp data without specifying the pointer byte.

**Table 4. Pointer value**

B1	B0	Selected register
0	0	Temperature register (Temp)
0	1	Configuration register (Conf)
1	0	Hysteresis register (Thyst)
1	1	Overtemp shut-down register (Tos)



## Digital temperature sensor and thermal watchdog

LM75A

**Configuration register**

The Configuration register is a write/read register and contains an 8-bit non-complement data byte that is used to configure the device for different operation conditions. The Configuration register table (Table 5) shows the bit assignments of this register.

**Table 5. Configuration register table**

Bit	Name	R/W	POR	Description
B7–B5	Reserved	R/W	000	Reserved for manufacturer use. These bits should be kept as zeroes for normal operation.
B4–B3	OS Fault queue	R/W	00	For OS Fault Queue programming. Programmable queue data = 0, 1, 2, 3 for queue value = 1, 2, 4, 6 respectively. Default = 0.
B2	OS Polarity	R/W	0	For OS Polarity selection. 1 = OS active HIGH, 0 = OS active LOW (default).
B1	OS Comp/Interrupt	R/W	0	For OS operation Mode selection. 1 = OS interrupt, 0 = OS comparator (default).
B0	Shut-down	R/W	0	For Device Operation Mode selection. 1 = Shut-down, 0 = Normal (default).

**Temperature register (Temp)**

The Temp register holds the digital result of temperature measurement or monitor at the end each A-to-D conversion. This register is read only and contains two 8-bit data bytes consisting of one most significant (MS) data byte and one least significant (LS) data byte. However, only 11 bits of those two bytes are used to store the Temp data in 2's complement format with the resolution of 0.125 °C. The Temp register table (Table 6) shows the bit arrangement of the Temp data in the data bytes.

**Table 6. Temp register table**

Temp MS byte								Temp LS byte							
MSB							LSB	MSB							LSB
B7	B6	B5	B4	B3	B2	B1	B0	B7	B6	B5	B4	B3	B2	B1	B0
Temp data (11 bits)											Not used				
MSB										LSB					
D10	D9	D8	D7	D6	D5	D4	D3	D2	D1	D0	X	X	X	X	X

Notice that when the Temp register is read, all 16 bits are provided to the bus and must be all collected by the controller to complete the bus operation. However, only the 11 significant bits should be used, and the 5 LSB bits of the LS byte are zero and should be ignored. One of the ways to calculate the Temp value in °C from the 11-bit Temp data is:

1. If the Temp data MSB bit D10 = 0 then the temperature is positive and  $\text{Temp value (}^\circ\text{C)} = + (\text{Temp data}) * 0.125 \text{ }^\circ\text{C}$
2. If the Temp data MSB bit D10 = 1 then the temperature is negative and  $\text{Temp value (}^\circ\text{C)} = - (2\text{'s complement of Temp data}) * 0.125 \text{ }^\circ\text{C}$

The Temp table (Table 7) shows examples of the Temp data and value.

**Table 7. Temp table**

11-bit Binary (2's complement)	Temp data		Temp value
	3-bit Hex	Decimal value	°C
0111 1111 000	3F8h	1016	+127.000 °C
0111 1110 111	3F7h	1015	+126.875 °C
0111 1110 001	3F1h	1009	+126.125 °C
0111 1101 000	3E8h	1000	+125.000 °C
0001 1001 000	0C8h	200	+25.000 °C
0000 0000 001	001h	1	+0.125 °C
0000 0000 000	000h	0	0.000 °C
1111 1111 111	7FFh	-1	-0.125 °C
1110 0111 000	738h	-200	-25.000 °C
11001001 001	649h	-439	-54.875 °C
1100 1001 000	648h	-440	-55.000 °C

Obviously, for 9-bit Temp data application in replacing the industry standard LM75, just use only 9 MSB bits of the two bytes and disregard 7 LSB bits of the LS byte. The 9-bit temp data with 0.5 °C resolution of the LM75A is defined exactly in the same way as for the standard LM75 and it is here similar to the Tos and Thyst that is described next.

# Digital temperature sensor and thermal watchdog

# LM75A

## Overtemp shut-down threshold (Tos) and hysteresis (Thyst) registers

These two registers are write/read registers, and also called set-point registers. They are used to store the user-defined temperature limits, called overtemp shut-down threshold (Tos) and hysteresis (Thyst), for the device watchdog operation. At the end of each conversion the Temp data will be compared with the data stored in these two registers in order to set the state of the device OS output accordingly as described in the “General operation” section.

Each of the set-point registers contains two 8-bit data bytes consisting of one MS data byte and one LS data byte the same as the Temp register. However, only 9 bits of the two bytes are used to store the set-point data in 2’s complement format with the resolution of 0.5 °C. The Tos register table (Table 8) and Thyst register table (Table 9) show the bit arrangement of the Tos data and Thyst data in the data bytes.

Notice that because only 9-bit data are used in the set-point registers, the device uses only the 9 MSB bits of the Temp data for data comparison.

**Table 8. Tos register table**

Tos MS byte								Tos LS byte							
MSB							LSB	MSB							LSB
B7	B6	B5	B4	B3	B2	B1	B0	B7	B6	B5	B4	B3	B2	B1	B0
Tos data (9 bits)								Not used							
MSB							LSB								
D8	D7	D6	D5	D4	D3	D2	D1	D0	X	X	X	X	X	X	X

**Table 9. Thyst register table**

Thyst MS byte								Thyst LS byte							
MSB							LSB	MSB							LSB
B7	B6	B5	B4	B3	B2	B1	B0	B7	B6	B5	B4	B3	B2	B1	B0
Thyst data (9 bits)								Not used							
MSB							LSB								
D8	D7	D6	D5	D4	D3	D2	D1	D0	X	X	X	X	X	X	X

When a set-point register is read, all 16 bits are provided to the bus and must be collected by the controller to complete the bus operation. However, only the 9 significant bits should be used and the 7 LSB bits of the LS byte are equal to zero and should be ignored.

The Tos and Thyst table (Table 10) shows examples of the limit data and value.

**Table 10. Tos and Thyst table**

Limit data			Limit temp value
11-bit Binary (2’s complement)	3-bit Hex	Decimal value	°C
0111 1101 0	0FAh	250	+125.0 °C
0001 1001 0	032h	50	+25.0 °C
0000 0000 1	001h	1	+0.5 °C
0000 0000 0	000h	0	0.0 °C
1111 1111 1	1FFh	-1	-0.5 °C
1110 0111 0	1CEh	-50	-25.0 °C
1100 1001 0	192h	-110	-55.0 °C

## Digital temperature sensor and thermal watchdog

LM75A

**OS output and polarity**

The OS output is an open-drain output and its state represents results of the device watchdog operation as described in the “General operation” section. In order to observe this output state, an external pull-up resistor is needed. The resistor should be as large as possible, up to 200 k $\Omega$ , to minimize the temp reading error due to internal heating by the high OS sinking current.

The OS output active state can be selected as HIGH or LOW by programming bit B2 of the Configuration register: setting B2 to 1 selects OS active HIGH and setting B2 to 0 sets OS active LOW. At power-up, this bit is equal to 0 and the OS active state is LOW.

**OS comparator and interrupt modes**

As described in the “General operation” section, the device OS output responds to the result of the comparison between the Temp data and the programmed limits, Tos and Thyst, in different ways depending on the selected OS mode: OS comparator or OS interrupt. The OS mode is selected by programming bit B1 of the configuration register: setting B1 to 1 selects the OS interrupt mode, and setting B1 to 0 selects the OS comparator mode. At power up, this bit is equal to 0 and the OS comparator is selected.

The main difference between the two modes is that in OS comparator mode, the OS output becomes active when the Temp has exceeded the Tos and reset when the Temp has dropped below the Thyst, reading a register or putting the device into shut-down does not change the state of the OS output; while in OS interrupt mode, once it has been activated either by exceeding the Tos or dropping below the Thyst, the OS output will remain active indefinitely until reading a register, then the OS output is reset.

The Tos & Thyst limits must be selected so that Tos temp value > Thyst temp value. Otherwise, the OS output state will be undefined.

**OS fault queue**

Fault queue is defined as the number of faults that must occur consecutively to activate the OS output. It is provided to avoid false tripping due to noise. Because faults are determined at the end of data conversions, fault queue is also defined as the number of consecutive conversions returning a temperature trip. The value of fault queue is selectable by programming the two bits B4 and B3 of

the configuration register. Notice that the programmed data and the fault queue value are not the same. The Fault queue table (Table 11) shows the one-to-one relationship between them. At power-up, fault queue data = 0 and fault queue value = 1.

**Table 11. Fault queue table**

Fault queue data		Fault queue value
B4	B3	Decimal
0	0	1
0	1	2
1	0	4
1	1	6

**Shutdown mode**

The device operation mode is selected by programming bit B0 of the Configuration register: Setting B0 to 1 will put the device into shut-down mode. Resetting B0 to 0 for the device normal mode.

In shut-down mode, the device draws a small current of about 3.5  $\mu$ A and the power dissipation is minimized; the temperature conversion stops, but the I<sup>2</sup>C interface remains active and register write/read operation can be performed. The OS output remains unchanged.

**Power-up default and Power-on Reset**

The LM75A always powers-up in its default state with:

- Normal operation mode
- OS comparator mode
- Tos = 80 °C
- Thyst = 75 °C
- OS output active state = LOW
- Pointer value = 0.

When the power supply voltage is dropped below the device power-on reset level of about 1.9 V (POR) and then rises up again, the device will be reset to its default condition as listed above.

# Digital temperature sensor and thermal watchdog

LM75A

## Data communication

The communication between the host and the LM75A must strictly follow the rules as defined by the I<sup>2</sup>C-bus management. The protocols for LM75A register read/write operations are illustrated by the Figures as follows with these definitions:

1. Before a communication, the I<sup>2</sup>C-bus must be free or not busy. It means that the SCL and SDA lines must be both released by all devices on the bus, and they become HIGH by the bus pull-up resistors.
2. The host must provide SCL clock pulses necessary for the communication. Data is transferred in sequence of 9 SCL clock pulses for every 8-bit data byte followed by 1-bit status of the acknowledgement.
3. During data transfer, except the Start and Stop signals, the SDA signal must be stable while the SCL signal is HIGH. It means that SDA signal can be changed only during the LOW duration of the SCL line.
4. **S**: Start signal, initiated by the host to start a communication, the SDA goes from HIGH-to-LOW while the SCL is HIGH.
5. **RS**: Re-start signal, same as the Start signal, to start a read command that follows a write command.
6. **P**: Stop signal, generated by the host to stop a communication, the SDA goes from LOW-to-HIGH while the SCL is HIGH. The bus becomes free thereafter.
7. **W**: Write bit, when the Write/Read bit = LOW in a write command.
8. **R**: Read bit, when the Write/Read bit = HIGH in a read command.
9. **A**: Device Acknowledge bit, returned by the LM75A. It is LOW if the device works properly and HIGH if not. The host must release the SDA line during this period in order to give the device the control on the SDA line.
10. **A'**: Master Acknowledge bit, not returned by the device, but set by the master or host in reading 2-byte data. During this clock period, the host must set the SDA line to LOW in order to notice the device that the first byte has been read for the device to provide the second byte onto the bus.
11. **NA**: Not-Acknowledge bit. During this clock period, both the device and host release the SDA line at the end of a data transfer, the host is then enabled to generate the Stop signal.
12. In a write protocol, data is sent from the host to the device and the host controls the SDA line, except during the clock period when the device sends to the bus the device acknowledgement signal.
13. In a read protocol, data is sent to the bus by the device and the host must release the SDA line during the time that the device is providing data onto the bus and controlling the SDA line, except during the clock period when the master sends to the bus the master acknowledgement signal.

# Digital temperature sensor and thermal watchdog

LM75A

## Protocols for writing and reading the registers

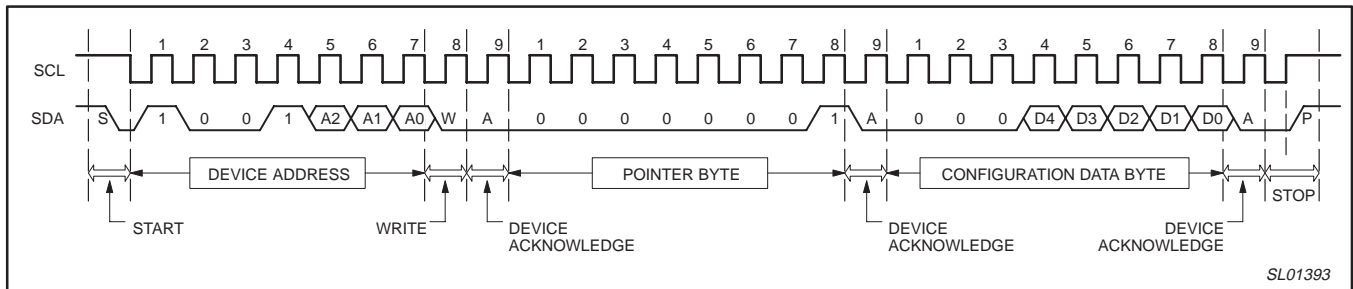


Figure 6. Write configuration register (1-byte data).

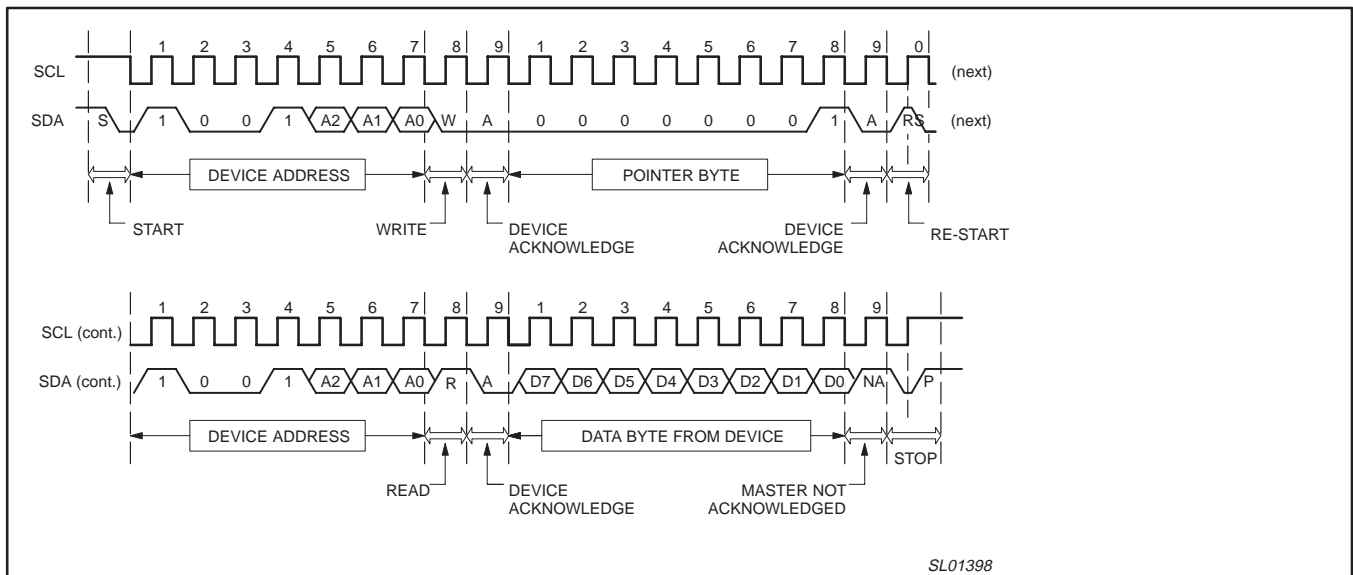


Figure 7. Read configuration register including Pointer byte (1-byte data).

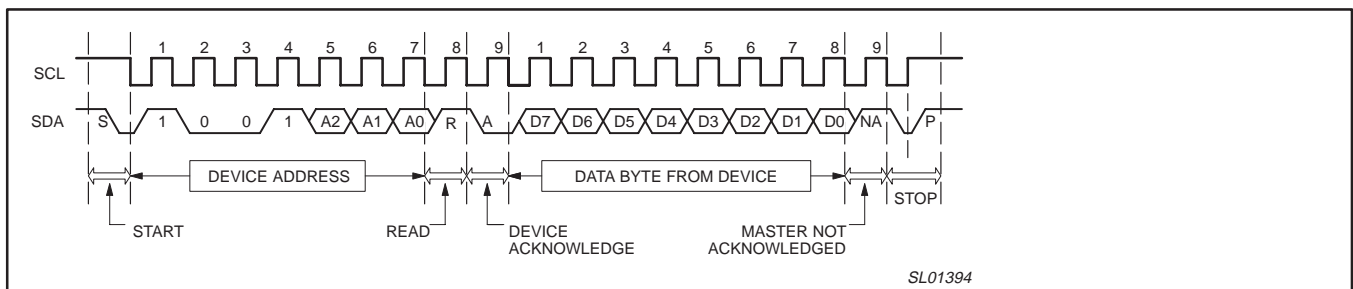


Figure 8. Read configuration register with preset Pointer (1-byte data).

# Digital temperature sensor and thermal watchdog

# LM75A

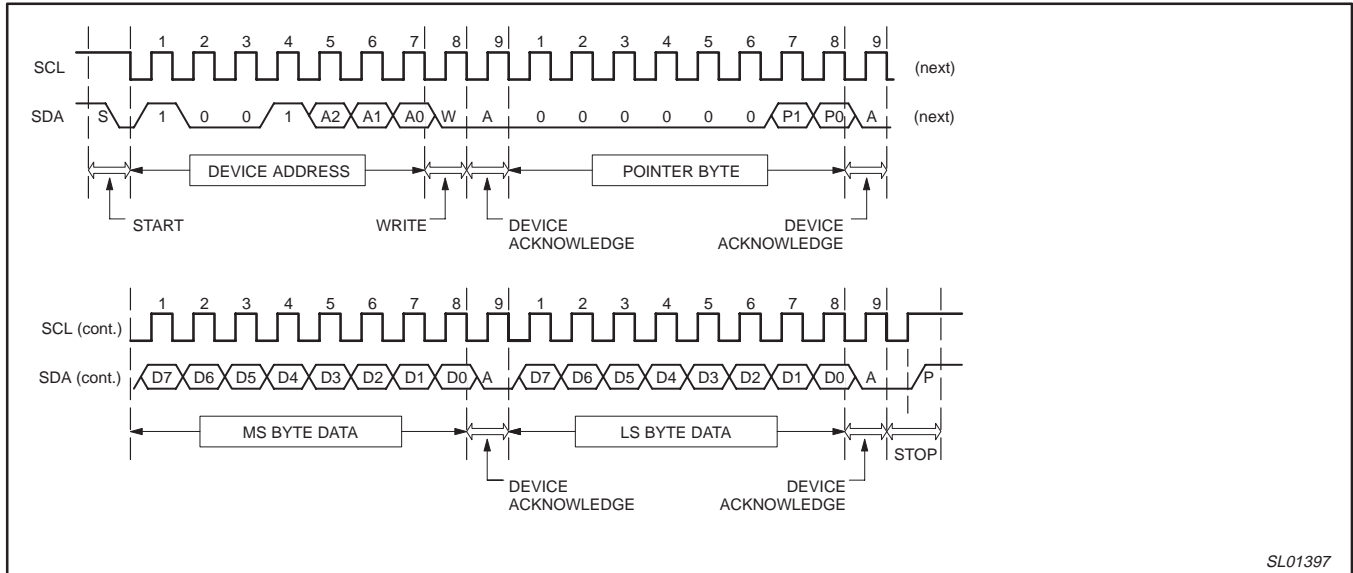


Figure 9. Write Tos or Thyst register (2-byte data).

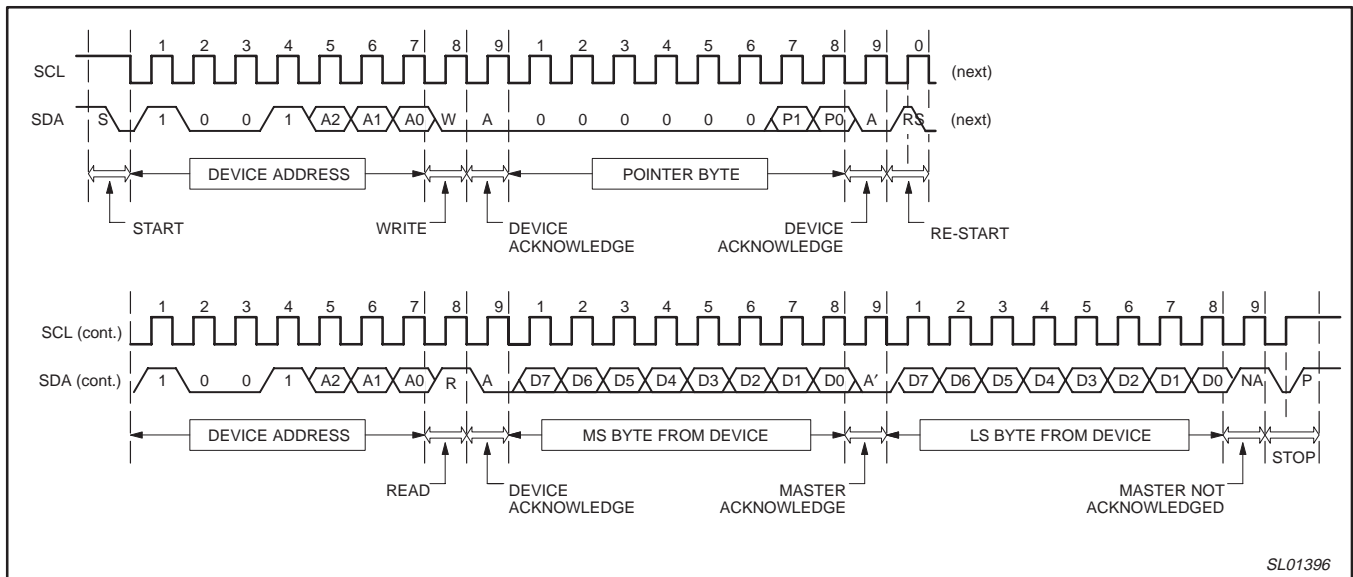


Figure 10. Read Temp or Tos or Thyst register including Pointer byte (2-byte data).

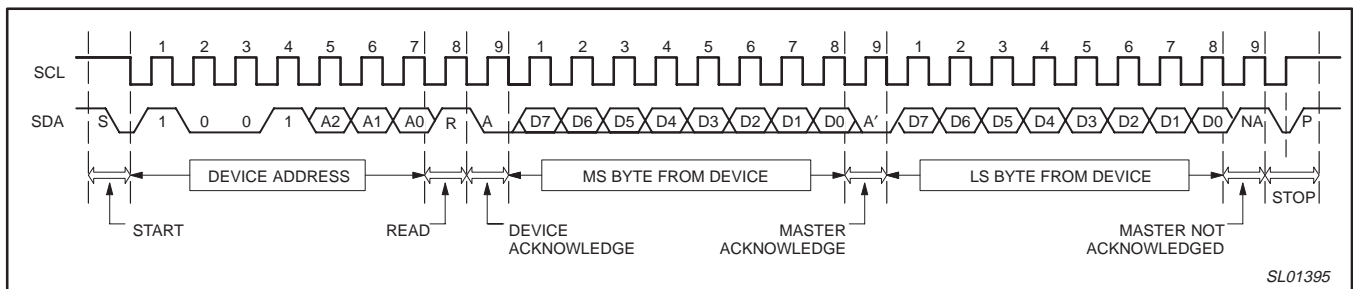


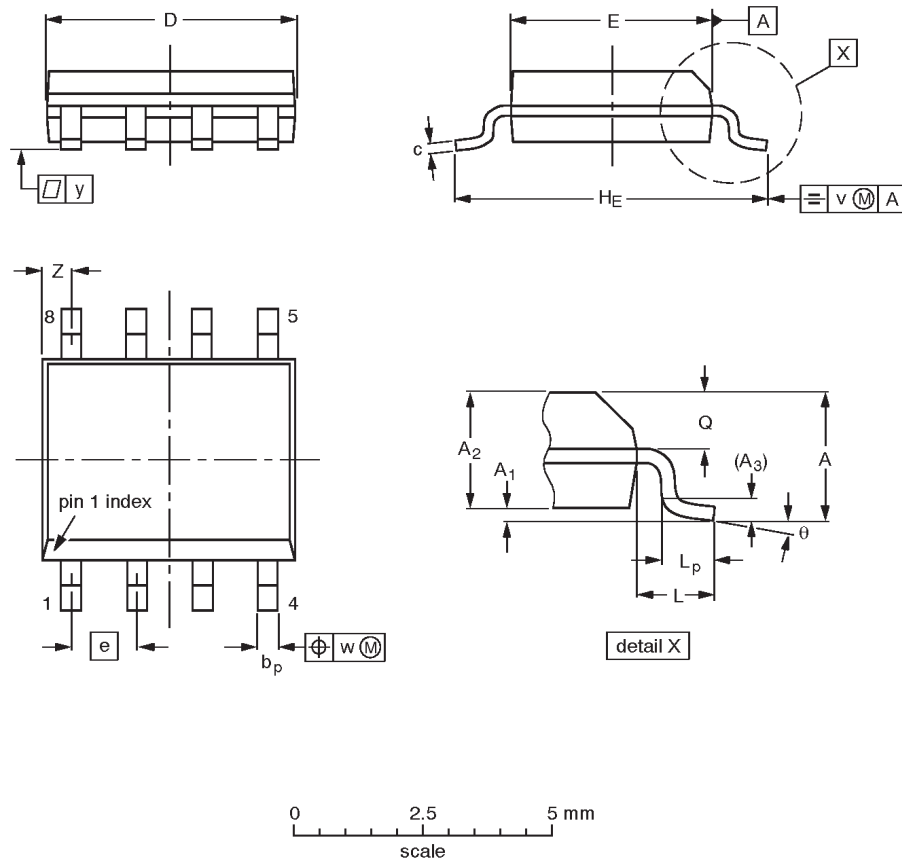
Figure 11. Read Temp or Tos or Thyst register with preset Pointer (2-byte data).

# Digital temperature sensor and thermal watchdog

# LM75A

**SO8: plastic small outline package; 8 leads; body width 3.9 mm**

**SOT96-1**



**DIMENSIONS (inch dimensions are derived from the original mm dimensions)**

UNIT	A max.	A <sub>1</sub>	A <sub>2</sub>	A <sub>3</sub>	b <sub>p</sub>	c	D <sup>(1)</sup>	E <sup>(2)</sup>	e	H <sub>E</sub>	L	L <sub>p</sub>	Q	v	w	y	Z <sup>(1)</sup>	θ
mm	1.75	0.25 0.10	1.45 1.25	0.25	0.49 0.36	0.25 0.19	5.0 4.8	4.0 3.8	1.27	6.2 5.8	1.05	1.0 0.4	0.7 0.6	0.25	0.25	0.1	0.7 0.3	8° 0°
inches	0.069	0.010 0.004	0.057 0.049	0.01	0.019 0.014	0.0100 0.0075	0.20 0.19	0.16 0.15	0.05	0.244 0.228	0.041	0.039 0.016	0.028 0.024	0.01	0.01	0.004	0.028 0.012	

**Notes**

1. Plastic or metal protrusions of 0.15 mm (0.006 inch) maximum per side are not included.
2. Plastic or metal protrusions of 0.25 mm (0.01 inch) maximum per side are not included.

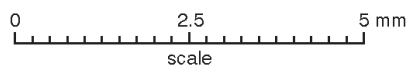
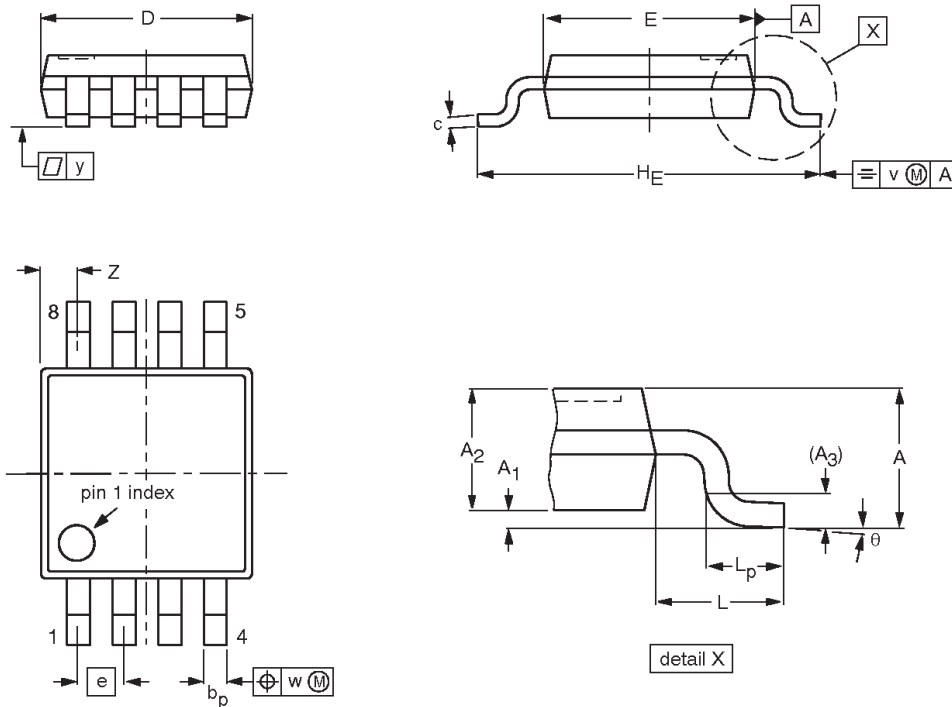
OUTLINE VERSION	REFERENCES				EUROPEAN PROJECTION	ISSUE DATE
	IEC	JEDEC	JEITA			
SOT96-1	076E03	MS-012				99-12-27 03-02-18

# Digital temperature sensor and thermal watchdog

LM75A

**TSSOP8:** plastic thin shrink small outline package; 8 leads; body width 3 mm

**SOT505-1**



**DIMENSIONS (mm are the original dimensions)**

UNIT	A max.	A <sub>1</sub>	A <sub>2</sub>	A <sub>3</sub>	b <sub>p</sub>	c	D <sup>(1)</sup>	E <sup>(2)</sup>	e	H <sub>E</sub>	L	L <sub>p</sub>	v	w	y	Z <sup>(1)</sup>	θ
mm	1.1	0.15 0.05	0.95 0.80	0.25	0.45 0.25	0.28 0.15	3.1 2.9	3.1 2.9	0.65	5.1 4.7	0.94	0.7 0.4	0.1	0.1	0.1	0.70 0.35	6° 0°

**Notes**

1. Plastic or metal protrusions of 0.15 mm maximum per side are not included.
2. Plastic or metal protrusions of 0.25 mm maximum per side are not included.

OUTLINE VERSION	REFERENCES				EUROPEAN PROJECTION	ISSUE DATE
	IEC	JEDEC	JEITA			
SOT505-1						<del>99-04-09</del> 03-02-18



## Digital temperature sensor and thermal watchdog

LM75A

## REVISION HISTORY

Rev	Date	Description
_3	20060627	<p><b>Product data sheet. Supersedes data of 2004 Oct 05 (9397 750 14174).</b></p> <p>Modifications:</p> <ul style="list-style-type: none"> <li>● ORDERING INFORMATION table (on page 2): changed Topside mark for LM75ADP from “LM75A” to “L75A”</li> <li>● FUNCTIONAL DESCRIPTION, General operation (on page 7): <ul style="list-style-type: none"> <li>– 6th paragraph: deleted last sentence (“Putting the device into shut–down mode also resets the OS output.”)</li> <li>– Figure 5: deleted “or putting the device in shutdown” from figure note.</li> </ul> </li> <li>● Table 5, Configuration register table (on page 9): description for bits B[7:5] modified (appended “These bits should be kept as zeroes for normal operation.”)</li> <li>● OS comparator and interrupt modes (on page 11): <ul style="list-style-type: none"> <li>– 2nd paragraph (8th line): deleted “or putting the device into shut–down occurs”</li> </ul> </li> <li>● Shutdown mode (on page 11): <ul style="list-style-type: none"> <li>– 2nd paragraph, 2nd sentence: changed from “If the OS output is in comparato mode, then it remains unchanged.” to “The OS output remains unchanged.”</li> <li>– 2nd paragraph: deleted last sentence (“Otherwise, the OS output is reset in interrupt mode.”)</li> </ul> </li> </ul>
_2	20041005	<b>Product data sheet (9397 750 14174). Supersedes data of 2001 Jul 16 (9397 750 08571).</b>
_1	20010716	<b>Product data (9397 750 08571). ECN 853-2266 26719 of 16 July 2001.</b>

# Digital temperature sensor and thermal watchdog

LM75A

## Legal Information

### Data sheet status

Document status <sup>[1][2]</sup>	Product status <sup>[3]</sup>	Definition
Objective [short] data sheet	Development	This document contains data from the objective specification for product development.
Preliminary [short] data sheet	Qualification	This document contains data from the preliminary specification.
Product [short] data sheet	Production	This document contains the product specification.

[1] Please consult the most recently issued document before initiating or completing a design.

[2] The term 'short data sheet' is explained in section "Definitions".

[3] The product status of device(s) described in this document may have changed since this data sheet was published and may differ in case of multiple devices. The latest product status information is available on the Internet at URL <http://www.semiconductors.philips.com>.

### Definitions

**Draft** — The document is a draft version only. The content is still under internal review and subject to formal approval, which may result in modifications or additions. Philips Semiconductors does not give any representations or warranties as to the accuracy or completeness of information included herein and shall have no liability for the consequences of use of such information.

**Short data sheet** — A short data sheet is an extract from a full data sheet with the same product type number(s) and title. A short data sheet is intended for quick reference only and should not be relied upon to contain detailed and full information. For detailed and full information see the relevant full data sheet, which is available on request via the local Philips Semiconductors sales office. In case of any inconsistency or conflict with the short data sheet, the full data sheet shall prevail.

### Disclaimers

**General** — Information in this document is believed to be accurate and reliable. However, Philips Semiconductors does not give any representations or warranties, expressed or implied, as to the accuracy or completeness of such information and shall have no liability for the consequences of use of such information.

**Right to make changes** — Philips Semiconductors reserves the right to make changes to information published in this document, including without limitation specifications and product descriptions, at any time and without notice. This document supersedes and replaces all information supplied prior to the publication hereof.

**Suitability for use** — Philips Semiconductors products are not designed, authorized or warranted to be suitable for use in medical, military, aircraft, space or life support equipment, nor in applications where failure or malfunction of a Philips Semiconductors product can reasonably be expected to result in personal injury, death or severe property or environmental damage. Philips Semiconductors accepts no liability for

inclusion and/or use of Philips Semiconductors products in such equipment or applications and therefore such inclusion and/or use is at the customer's own risk.

**Applications** — Applications that are described herein for any of these products are for illustrative purposes only. Philips Semiconductors makes no representation or warranty that such applications will be suitable for the specified use without further testing or modification.

**Limiting values** — Stress above one or more limiting values (as defined in the Absolute Maximum Ratings System of IEC 60134) may cause permanent damage to the device. Limiting values are stress ratings only and operation of the device at these or any other conditions above those given in the Characteristics sections of this document is not implied. Exposure to limiting values for extended periods may affect device reliability.

**Terms and conditions of sale** — Philips Semiconductors products are sold subject to the general terms and conditions of commercial sale, as published at <http://www.semiconductors.philips.com/profile/terms>, including those pertaining to warranty, intellectual property rights infringement and limitation of liability, unless explicitly otherwise agreed to in writing by Philips Semiconductors. In case of any inconsistency or conflict between information in this document and such terms and conditions, the latter will prevail.

**No offer to sell or license** — Nothing in this document may be interpreted or construed as an offer to sell products that is open for acceptance or the grant, conveyance or implication of any license under any copyrights, patents or other industrial or intellectual property rights.

### Trademarks

Notice: All referenced brands, product names, service names and trademarks are the property of their respective owners.

**I<sup>2</sup>C-bus** — logo is a trademark of Koninklijke Philips Electronics N.V.

## Contact information

For additional information please visit: <http://www.semiconductors.philips.com>

For sales office addresses, send an e-mail to: [sales.addresses@www.semiconductors.philips.com](mailto:sales.addresses@www.semiconductors.philips.com)

Please be aware that important notices concerning this document and the product(s) described herein, have been included in section "Legal information".



© Koninklijke Philips Electronics N.V. 2006. All rights reserved.  
For more information, please visit <http://www.semiconductors.philips.com>.  
For sales office addresses, email to: [sales.addresses@www.semiconductors.philips.com](mailto:sales.addresses@www.semiconductors.philips.com).

Date of release: 20060627

Document identifier: LM75A\_3