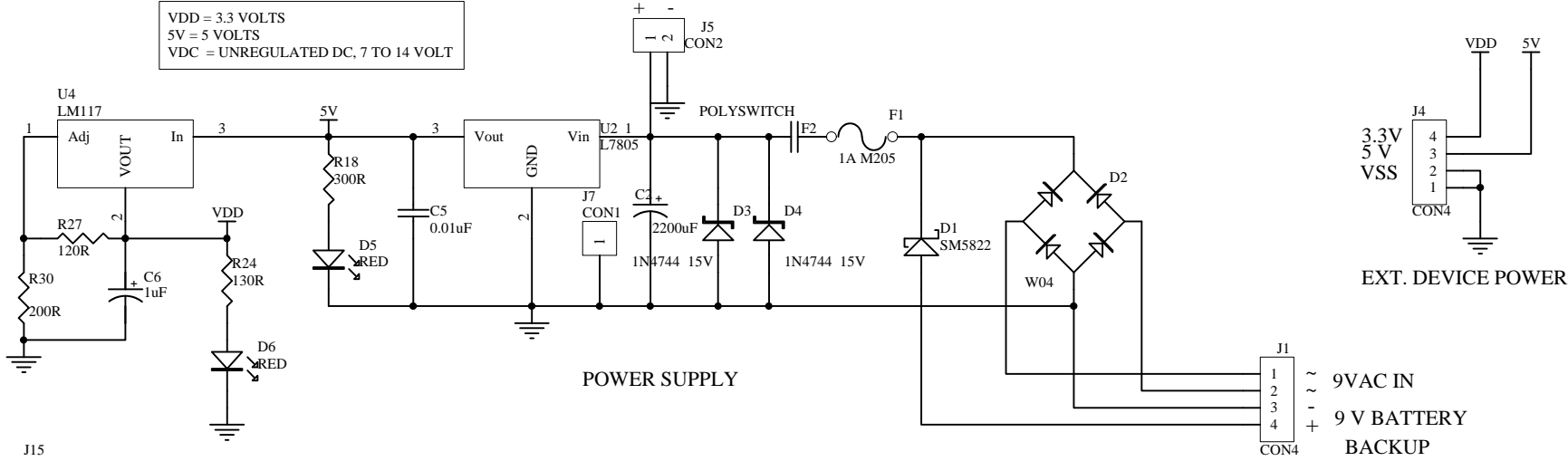


Title			GP LOGGER		
Size	Number	Revision		A	
A4					
Date:	30-Jun-2007	Sheet	1 of 2		
File:	C:\My Documents\...\prop1.Sch	Drawn By:	TIM		

UNREGULATED SUPPLY

VDD = 3.3 VOLTS
 5V = 5 VOLTS
 VDC = UNREGULATED DC, 7 TO 14 VOLT

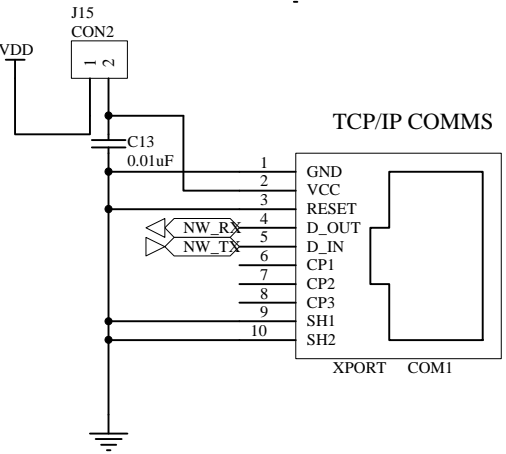


POWER SUPPLY

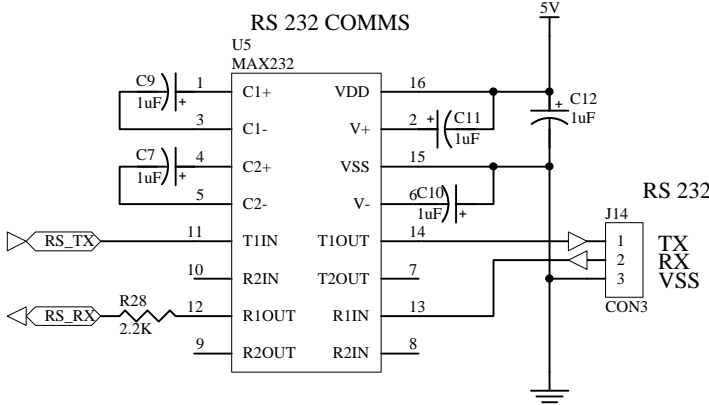
EXT. DEVICE POWER

J1
 CON4
 1 ~ 9VAC IN
 2 ~
 3 ~ 9 V BATTERY
 4 + BACKUP

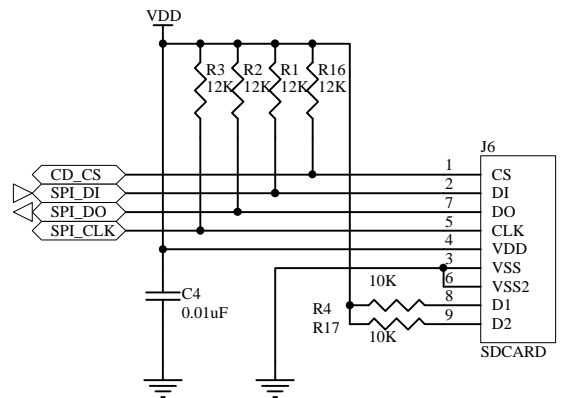
TCP/IP COMMS



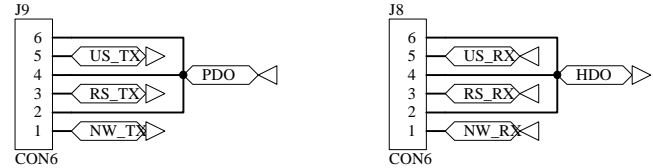
RS 232 COMMS



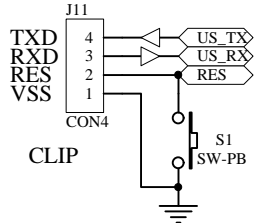
MEMORY CARD



USB, RS232, TCP/IP COMMS
 CHANGE OVER JUMPERS



CLIP



Title			GP LOGGER		
Size	Number			Revision	A
A4					
Date:	30-Jun-2007	Sheet 2 of 2			
File:	C:\My Documents\...\prop2.Sch	Drawn By:		TIM	