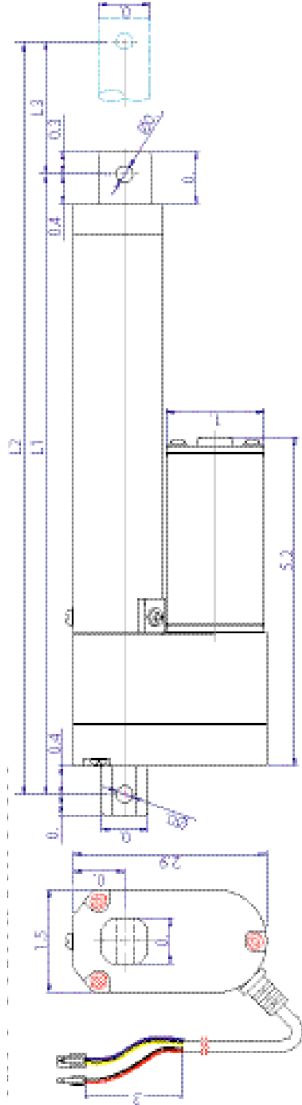


IMD3 Series Linear Actuators

Part Number	LACT2P	LACT4P	LACT6P	LACT8P	LACT10P	LACT12P
Input Voltage	12 VDC	12 VDC	12 VDC	12 VDC	12 VDC	12 VDC
Load Capacity	110 pounds					
Static Load	550 pounds					
Stroke Length*	2 inches	4 inches	6 inches	8 inches	10 inches	12 inches
Speed @max load	0.50 in/sec					
Retracted Length	7.47 inches	9.45 inches	11.49 inches	13.49 inches	15.50 inches	17.51 inches
Extended Length	9.47 inches	13.48 inches	17.49 inches	21.49 inches	25.50 inches	29.51 inches
Recommended Fuse	10 Amp					
IP Grade	IP 63-total dust protection, water resistant					

www.spalusa.com

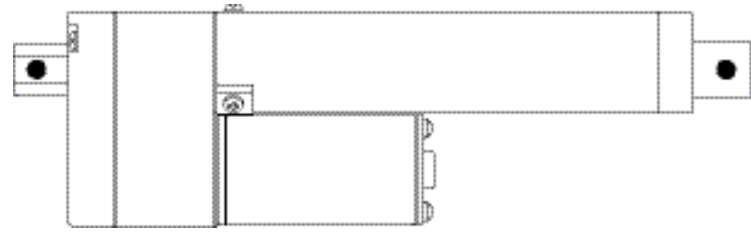
*Advertised Stroke Length may not reflect Actual Stroke Length
Other Linear Actuators are available from SPAL USA. Please call 800-345-0327 to request information.



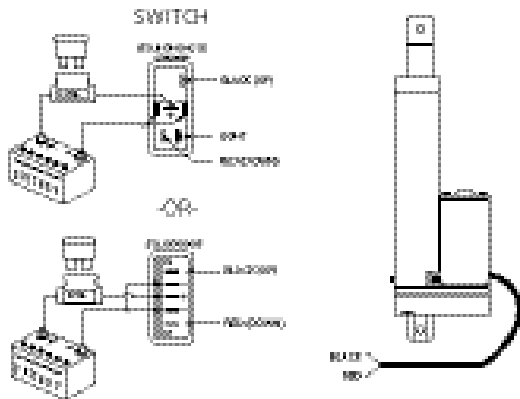
Dimension (inches):

L3 - Stroke Length	2	4	6	8	10	12
L1 - Retracted Length	7.47	9.45	11.49	13.49	15.50	17.51
L2 - Extended Length	9.47	13.48	17.49	21.49	25.50	29.51

IMD3-SERIES LINEAR ACTUATORS WITH POTENTIOMETER

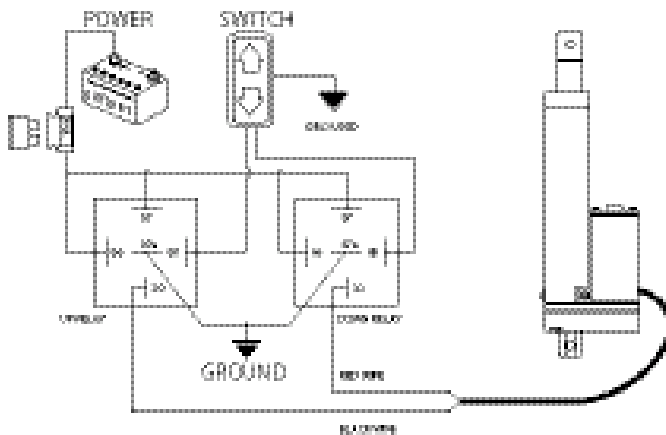


1731 SE Oralabor Road • Ankeny IA, 50021
info@spalusa.com • www.spalusa.com
Main/Sales: 800-345-0327 • Technical: 800-454-7725

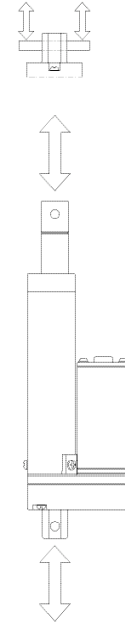


Wiring Installation Instructions:

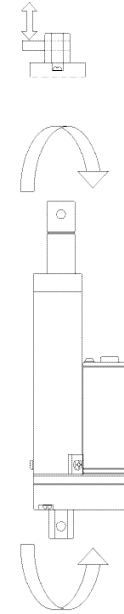
- If using SPAL switches (such as part #'s 1740.0007, 1740.0068, 1740.0095) the actuator can be connected without relays. (see diagram above)
- Connect the red wire from the actuator to the retraction (down) side of a switch.
- Connect the black wire to the extension (up) side of the switch.
- Place a 10 Amp fuse on the +12VDC wire, no further than 18 inches from the battery.
- One SPAL switch can control up to 2 actuators on a single circuit with a 20 Amp fuse.
- If using Non-SPAL switches, please incorporate two standard automotive relays. (see diagram below)



CORRECT



INCORRECT



Mounting Installation Instructions:

(SPAL brackets are available.
Part # LA-Bracket-110A)

- To prevent premature failure the actuator should be mounted so that the load does not bend or rotate the actuator.
- The load should be centered on the actuator.
- Use only solid pins or bolts that can be fixed on both ends with minimal play on the actuator shaft.

SPAL USA

LIMITED WARRANTY STATEMENT

SPAL USA warrants this product to be free from defects in material and workmanship for a period of eighteen (18) months from the date of sale to the original purchaser. SPAL USA will repair this product free of charge if, in the judgment of SPAL USA, it has been proven defective within the warranty period. The product should be returned, at the customer expense, to the location of original purchase. This warranty does not cover any expenses incurred in the removal and/or reinstallation of the product.

This warranty does not apply to any product damaged by improper installation, accidental misuse, abuse, improper line voltage, fire, flood, lightning, or other acts of God, or a product altered or repaired by anyone other than SPAL USA. This warranty is in lieu of other warranties, expressed or implied, including any implied warranty of merchantability. No person is authorized to assume for SPAL USA any other liability concerning the sale of this product.

IMPORTANT-KEEP YOUR INVOICE WITH THIS WARRANTY STATEMENT!