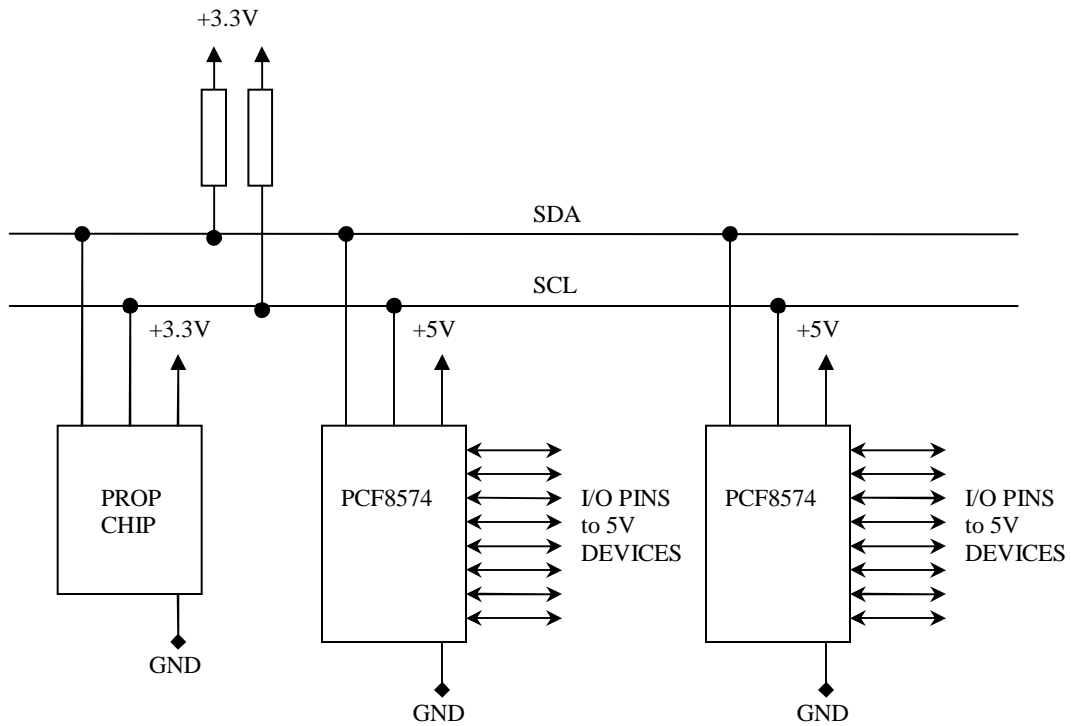


Interface Propeller to 5V devices through PCF8574 – I/O Expander:



Block diagram from PCF8574 datasheet showing open drain SDA output drive:

