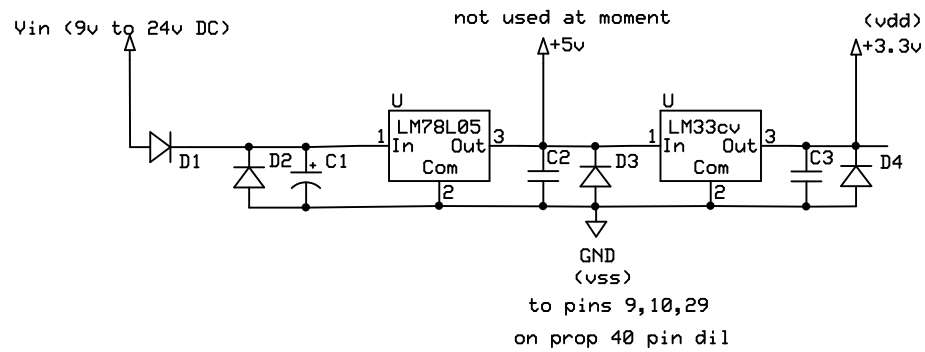


currently using 8v DC supply  
same as the one with Demo Board

to pins 32,12  
on prop 40 pin dil



C1 = 50v 470uF electrolytic

D1, D2, D3 & D4 = 1N4007

C2, C3 = 50v 0.1uF ceramic

D1, D2, D3 & D4 = 1N4007

the 7805 vReg is used to supply the 3.3v reg because  
the 3.3v reg allows a max Vin of 16v and I want to  
have it possible to use a 24v PSU in the future

The diode count is overkill - implemented after  
death of first prop. When it happened again I was stumped