



# MICROCHIP 24AA32A/24LC32A

## 32K I<sup>2</sup>C™ Serial EEPROM

### Device Selection Table

| Part Number | V <sub>CC</sub> Range | Max. Clock Frequency   | Temp. Ranges |
|-------------|-----------------------|------------------------|--------------|
| 24AA32A     | 1.8-5.5               | 400 kHz <sup>(1)</sup> | I            |
| 24LC32A     | 2.5-5.5               | 400 kHz                | I, E         |

**Note 1:** 100 kHz for V<sub>CC</sub> < 2.5V

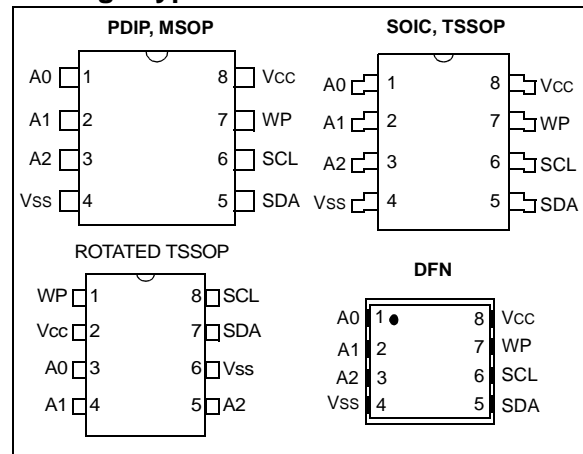
### Features:

- Single supply with operation down to 1.8V
- Low-power CMOS technology:
  - 1 mA active current, typical
  - 1 μA standby current (max.) (I-temp)
- Organized as a single block of 4K bytes (32 Kbit)
- 2-wire serial interface bus, I<sup>2</sup>C™ compatible
- Cascadable for up to eight devices
- Schmitt Trigger inputs for noise suppression
- Output slope control to eliminate ground bounce
- 100 kHz (<2.5V) and 400 kHz (≥2.5V) compatibility
- Self-timed write cycle (including auto-erase)
- Page write buffer for up to 32 bytes
- Hardware write-protect for entire memory
- Can be operated as a serial ROM
- Factory programming (QTP) available
- ESD protection > 4,000V
- 1,000,000 erase/write cycles
- Data retention > 200 years
- 8-lead PDIP, SOIC, TSSOP, DFN and MSOP packages
- Pb-free finish available
- Available temperature ranges:
  - Industrial (I): -40°C to +85°C
  - Automotive (E): -40°C to +125°C

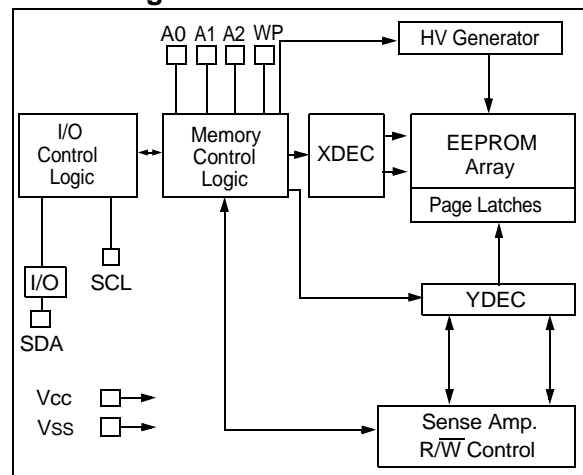
### Description:

The Microchip Technology Inc. 24AA32A/24LC32A (24XX32A\*) is a 32 Kbit Electrically Erasable PROM. The device is organized as a single block of 4K x 8-bit memory with a 2-wire serial interface. Low-voltage design permits operation down to 1.8V, with standby and active currents of only 1 μA and 1 mA, respectively. It has been developed for advanced, low-power applications such as personal communications or data acquisition. The 24XX32A also has a page write capability for up to 32 bytes of data. Functional address lines allow up to eight devices on the same bus, for up to 256 Kbits address space. The 24XX32A is available in the standard 8-pin PDIP, surface mount SOIC, TSSOP, 2x3 DFN and MSOP packages.

### Package Types



### Block Diagram



\*24XX32A is used in this document as a generic part number for the 24AA32A/24LC32A devices.

# 24AA32A/24LC32A

## 1.0 ELECTRICAL CHARACTERISTICS

### Absolute Maximum Ratings (†)

|                                                     |                                |
|-----------------------------------------------------|--------------------------------|
| V <sub>CC</sub> .....                               | 6.5V                           |
| All inputs and outputs w.r.t. V <sub>SS</sub> ..... | -0.3V to V <sub>CC</sub> +1.0V |
| Storage temperature .....                           | -65°C to +150°C                |
| Ambient temperature with power applied.....         | -40°C to +125°C                |
| ESD protection on all pins .....                    | ≥ 4 kV                         |

† NOTICE: Stresses above those listed under “Absolute Maximum Ratings” may cause permanent damage to the device. This is a stress rating only and functional operation of the device at those or any other conditions above those indicated in the operational listings of this specification is not implied. Exposure to maximum rating conditions for extended periods may affect device reliability.

**TABLE 1-1: DC CHARACTERISTICS**

| DC CHARACTERISTICS |                                       |                                                      | Industrial (I): TA = -40°C to +85°C, V <sub>CC</sub> = +1.8V to +5.5V<br>Automotive (E): TA = -40°C to +125°C, V <sub>CC</sub> = +2.5V to +5.5V |      |                                            |        |                                                                                                                                                            |
|--------------------|---------------------------------------|------------------------------------------------------|-------------------------------------------------------------------------------------------------------------------------------------------------|------|--------------------------------------------|--------|------------------------------------------------------------------------------------------------------------------------------------------------------------|
| Param. No.         | Symbol                                | Characteristic                                       | Min.                                                                                                                                            | Typ. | Max.                                       | Units  | Conditions                                                                                                                                                 |
| D1                 | —                                     | <b>A0, A1, A2, WP, SCL and SDA pins</b>              | —                                                                                                                                               | —    | —                                          | —      | —                                                                                                                                                          |
| D2                 | V <sub>IH</sub>                       | High-level input voltage                             | 0.7 V <sub>CC</sub>                                                                                                                             | —    | —                                          | V      | —                                                                                                                                                          |
| D3                 | V <sub>IL</sub>                       | Low-level input voltage                              | —                                                                                                                                               | —    | 0.3 V <sub>CC</sub><br>0.2 V <sub>CC</sub> | V<br>V | V <sub>CC</sub> ≥ 2.5V<br>V <sub>CC</sub> < 2.5V                                                                                                           |
| D4                 | V <sub>HYS</sub>                      | Hysteresis of Schmitt Trigger inputs (SDA, SCL pins) | 0.05 V <sub>CC</sub>                                                                                                                            | —    | —                                          | V      | V <sub>CC</sub> ≥ 2.5V ( <b>Note 1</b> )                                                                                                                   |
| D5                 | V <sub>OL</sub>                       | Low-level output voltage                             | —                                                                                                                                               | —    | 0.40                                       | V      | I <sub>OL</sub> = 3.0 mA, V <sub>CC</sub> = 4.5V<br>I <sub>OL</sub> = 2.1 mA, V <sub>CC</sub> = 2.5V                                                       |
| D6                 | I <sub>LI</sub>                       | <b>Input leakage current</b>                         | —                                                                                                                                               | —    | ±1                                         | μA     | V <sub>IN</sub> = V <sub>SS</sub> or V <sub>CC</sub> , WP = V <sub>SS</sub><br>V <sub>IN</sub> = V <sub>SS</sub> or V <sub>CC</sub> , WP = V <sub>CC</sub> |
| D7                 | I <sub>LO</sub>                       | <b>Output leakage current</b>                        | —                                                                                                                                               | —    | ±1                                         | μA     | V <sub>OUT</sub> = V <sub>SS</sub> or V <sub>CC</sub>                                                                                                      |
| D8                 | C <sub>IN</sub> ,<br>C <sub>OUT</sub> | Pin capacitance (all inputs/outputs)                 | —                                                                                                                                               | —    | 10                                         | pF     | V <sub>CC</sub> = 5.0V ( <b>Note 1</b> )<br>TA = 25°C, F <sub>CLK</sub> = 1 MHz                                                                            |
| D9                 | I <sub>CC</sub> write                 | <b>Operating current</b>                             | —                                                                                                                                               | 0.1  | 3                                          | mA     | V <sub>CC</sub> = 5.5V, SCL = 400 kHz                                                                                                                      |
| D10                | I <sub>CC</sub> read                  |                                                      | —                                                                                                                                               | 0.05 | 400                                        | μA     |                                                                                                                                                            |
| D11                | I <sub>CCS</sub>                      | <b>Standby current</b>                               | —                                                                                                                                               | 0.01 | 1                                          | μA     | Industrial<br>Automotive<br>SDA = SCL = V <sub>CC</sub> = 5.5V<br>A0, A1, A2, WP = V <sub>SS</sub>                                                         |
|                    |                                       |                                                      | —                                                                                                                                               | —    | 5                                          | μA     |                                                                                                                                                            |

**Note 1:** This parameter is periodically sampled and not 100% tested.

**2:** Typical measurements taken at room temperature.

# 24AA32A/24LC32A

**TABLE 1-2: AC CHARACTERISTICS**

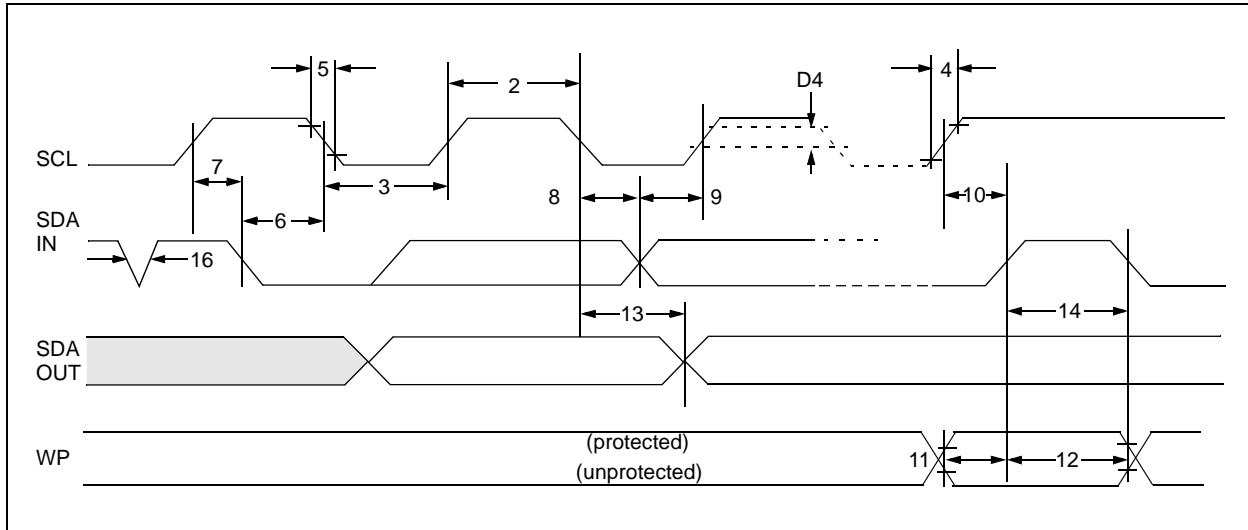
| AC CHARACTERISTICS |         |                                                                              | Industrial (I): TA = -40°C to +85°C, VCC = +1.8V to +5.5V<br>Automotive (E): TA = -40°C to +125°C, VCC = +2.5V to +5.5V |             |        |                                                  |
|--------------------|---------|------------------------------------------------------------------------------|-------------------------------------------------------------------------------------------------------------------------|-------------|--------|--------------------------------------------------|
| Param. No.         | Symbol  | Characteristic                                                               | Min.                                                                                                                    | Max.        | Units  | Conditions                                       |
| 1                  | FCLK    | Clock Frequency                                                              | —<br>—                                                                                                                  | 400<br>100  | kHz    | 2.5V ≤ VCC ≤ 5.5V<br>1.8V ≤ VCC < 2.5V (24AA32A) |
| 2                  | THIGH   | Clock High Time                                                              | 600<br>4000                                                                                                             | —<br>—      | ns     | 2.5V ≤ VCC ≤ 5.5V<br>1.8V ≤ VCC < 2.5V (24AA32A) |
| 3                  | TLOW    | Clock Low Time                                                               | 1300<br>4700                                                                                                            | —<br>—      | ns     | 2.5V ≤ VCC ≤ 5.5V<br>1.8V ≤ VCC < 2.5V (24AA32A) |
| 4                  | TR      | SDA and SCL Rise Time<br>(Note 1)                                            | —<br>—                                                                                                                  | 300<br>1000 | ns     | 2.5V ≤ VCC ≤ 5.5V<br>1.8V ≤ VCC < 2.5V (24AA32A) |
| 5                  | TF      | SDA and SCL Fall Time                                                        | —                                                                                                                       | 300         | ns     | (Note 1)                                         |
| 6                  | THD:STA | Start Condition Hold Time                                                    | 600<br>4000                                                                                                             | —<br>—      | ns     | 2.5V ≤ VCC ≤ 5.5V<br>1.8V ≤ VCC < 2.5V (24AA32A) |
| 7                  | TSU:STA | Start Condition Setup Time                                                   | 600<br>4700                                                                                                             | —<br>—      | ns     | 2.5V ≤ VCC ≤ 5.5V<br>1.8V ≤ VCC < 2.5V (24AA32A) |
| 8                  | THD:DAT | Data Input Hold Time                                                         | 0                                                                                                                       | —           | ns     | (Note 2)                                         |
| 9                  | TSU:DAT | Data Input Setup Time                                                        | 100<br>250                                                                                                              | —<br>—      | ns     | 2.5V ≤ VCC ≤ 5.5V<br>1.8V ≤ VCC < 2.5V (24AA32A) |
| 10                 | TSU:STO | Stop Condition Setup Time                                                    | 600<br>4000                                                                                                             | —<br>—      | ns     | 2.5V ≤ VCC ≤ 5.5V<br>1.8V ≤ VCC < 2.5V (24AA32A) |
| 11                 | TSU:WP  | WP Setup Time                                                                | 600<br>4000                                                                                                             | —<br>—      | ns     | 2.5V ≤ VCC ≤ 5.5V<br>1.8V ≤ VCC < 2.5V (24AA32A) |
| 12                 | THD:WP  | WP Hold Time                                                                 | 1300<br>4700                                                                                                            | —<br>—      | ns     | 2.5V ≤ VCC ≤ 5.5V<br>1.8V ≤ VCC < 2.5V (24AA32A) |
| 13                 | TAA     | Output Valid from Clock<br>(Note 2)                                          | —<br>—                                                                                                                  | 900<br>3500 | ns     | 2.5V ≤ VCC ≤ 5.5V<br>1.8V ≤ VCC < 2.5V (24AA32A) |
| 14                 | TBUF    | Bus free time: Time the bus must be free before a new transmission can start | 1300<br>4700                                                                                                            | —<br>—      | ns     | 2.5V ≤ VCC ≤ 5.5V<br>1.8V ≤ VCC < 2.5V (24AA32A) |
| 15                 | TOF     | Output Fall Time from VIH Minimum to VIL Maximum                             | 20+0.1CB<br>—                                                                                                           | 250<br>250  | ns     | 2.5V ≤ VCC ≤ 5.5V<br>1.8V ≤ VCC < 2.5V (24AA32A) |
| 16                 | TSP     | Input Filter Spike Suppression (SDA and SCL pins)                            | —                                                                                                                       | 50          | ns     | (Notes 1 and 3)                                  |
| 17                 | TWC     | Write Cycle Time (byte or page)                                              | —                                                                                                                       | 5           | ms     | —                                                |
| 18                 | —       | Endurance                                                                    | 1M                                                                                                                      | —           | cycles | 25°C, (Note 4)                                   |

**Note 1:** Not 100% tested. CB = total capacitance of one bus line in pF.

- 2:** As a transmitter the device must provide an internal minimum delay time to bridge the undefined region (minimum 300 ns) of the falling edge of SCL to avoid unintended generation of Start or Stop conditions.
- 3:** The combined TSP and VHYS specifications are due to new Schmitt Trigger inputs which provide improved noise spike suppression. This eliminates the need for a TI specification for standard operation.
- 4:** This parameter is not tested but ensured by characterization. For endurance estimates in a specific application, please consult the Total Endurance™ Model which can be obtained on Microchip's web site at [www.microchip.com](http://www.microchip.com).

# 24AA32A/24LC32A

FIGURE 1-1: BUS TIMING DATA



## 2.0 FUNCTIONAL DESCRIPTION

The 24XX32A supports a bidirectional, 2-wire bus and data transmission protocol. A device that sends data onto the bus is defined as transmitter, while a device receiving data is defined as a receiver. The bus has to be controlled by a master device which generates the Serial Clock (SCL), controls the bus access and generates the Start and Stop conditions, while the 24XX32A works as slave. Both master and slave can operate as transmitter or receiver, but the master device determines which mode is activated.

## 3.0 BUS CHARACTERISTICS

The following **bus protocol** has been defined:

- Data transfer may be initiated only when the bus is not busy.
- During data transfer, the data line must remain stable whenever the clock line is high. Changes in the data line while the clock line is high will be interpreted as a Start or Stop condition.

Accordingly, the following bus conditions have been defined (Figure 3-1).

### 3.1 Bus Not Busy (A)

Both data and clock lines remain high.

### 3.2 Start Data Transfer (B)

A high-to-low transition of the SDA line while the clock (SCL) is high determines a Start condition. All commands must be preceded by a Start condition.

### 3.3 Stop Data Transfer (C)

A low-to-high transition of the SDA line while the clock (SCL) is high determines a Stop condition. All operations must be ended with a Stop condition.

### 3.4 Data Valid (D)

The state of the data line represents valid data when, after a Start condition, the data line is stable for the duration of the high period of the clock signal.

The data on the line must be changed during the low period of the clock signal. There is one clock pulse per bit of data.

Each data transfer is initiated with a Start condition and terminated with a Stop condition. The number of data bytes transferred between Start and Stop conditions is determined by the master device and is, theoretically, unlimited (although only the last thirty-two bytes will be stored when doing a write operation). When an overwrite does occur, it will replace data in a first-in first-out (FIFO) fashion.

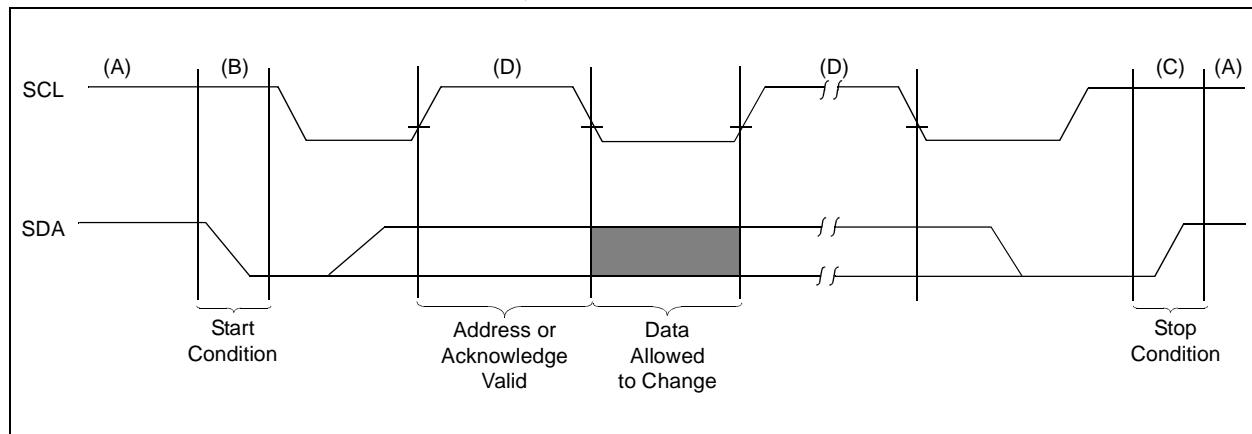
### 3.5 Acknowledge

Each receiving device, when addressed, is obliged to generate an acknowledge after the reception of each byte. The master device must generate an extra clock pulse which is associated with this Acknowledge bit.

**Note:** The 24XX32A does not generate any Acknowledge bits if an internal programming cycle is in progress.

The device that acknowledges, has to pull down the SDA line during the Acknowledge clock pulse in such a way that the SDA line is stable low during the high period of the acknowledge related clock pulse. Of course, setup and hold times must be taken into account. During reads, a master must signal an end of data to the slave by not generating an Acknowledge bit on the last byte that has been clocked out of the slave. In this case, the slave (24XX32A) will leave the data line high to enable the master to generate the Stop condition.

**FIGURE 3-1: DATA TRANSFER SEQUENCE ON THE SERIAL BUS**



# 24AA32A/24LC32A

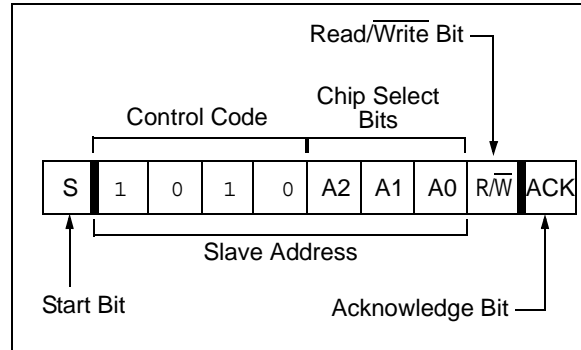
## 3.6 Device Addressing

A control byte is the first byte received following the Start condition from the master device (Figure 3-2). The control byte consists of a four-bit control code. For the 24XX32A, this is set as '1010' binary for read and write operations. The next three bits of the control byte are the Chip Select bits (A2, A1, A0). The Chip Select bits allow the use of up to eight 24XX32A devices on the same bus and are used to select which device is accessed. The Chip Select bits in the control byte must correspond to the logic levels on the corresponding A2, A1 and A0 pins for the device to respond. These bits are in effect the three Most Significant bits of the word address.

The last bit of the control byte defines the operation to be performed. When set to a '1', a read operation is selected. When set to a zero, a write operation is selected. The next two bytes received define the address of the first data byte (Figure 3-3). Because only A11 to A0 are used, the upper four address bits are "don't care" bits. The upper address bits are transferred first, followed by the Less Significant bits.

Following the Start condition, the 24XX32A monitors the SDA bus checking the device type identifier being transmitted and, upon receiving a '1010' code and appropriate device select bits, the slave device outputs an Acknowledge signal on the SDA line. Depending on the state of the R/W bit, the 24XX32A will select a read or write operation.

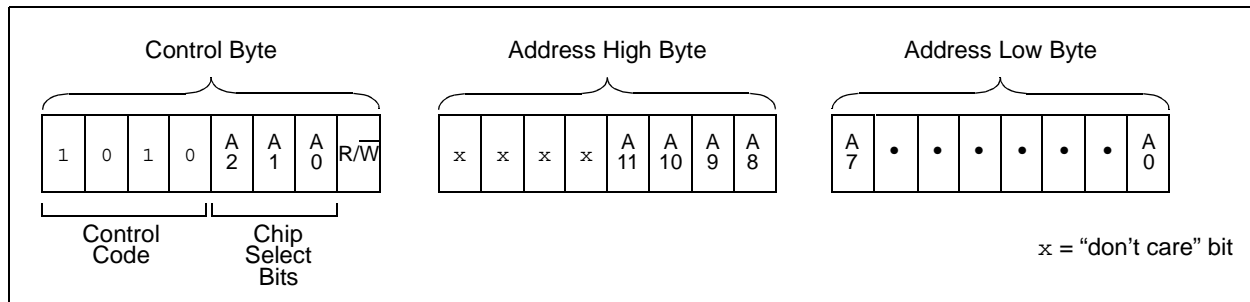
FIGURE 3-2: CONTROL BYTE FORMAT



## 3.7 Contiguous Addressing Across Multiple Devices

The Chip Select bits A2, A1 and A0 can be used to expand the contiguous address space for up to 256K bits by adding up to eight 24XX32A devices on the same bus. In this case, software can use A0 of the control byte as address bit A12; A1 as address bit A13; and A2 as address bit A14. It is not possible to sequentially read across device boundaries.

FIGURE 3-3: ADDRESS SEQUENCE BIT ASSIGNMENTS



## 4.0 WRITE OPERATIONS

### 4.1 Byte Write

Following the Start condition from the master, the control code (4 bits), the Chip Select (3 bits), and the  $\overline{R/\overline{W}}$  bit (which is a logic low) are clocked onto the bus by the master transmitter. This indicates to the addressed slave receiver that the address high byte will follow once it has generated an Acknowledge bit during the ninth clock cycle. Therefore, the next byte transmitted by the master is the high-order byte of the word address and will be written into the Address Pointer of the 24XX32A. The next byte is the Least Significant Address Byte. After receiving another Acknowledge signal from the 24XX32A, the master device will transmit the data word to be written into the addressed memory location. The 24XX32A acknowledges again and the master generates a Stop condition. This initiates the internal write cycle and, during this time, the 24XX32A will not generate Acknowledge signals (Figure 4-1). If an attempt is made to write to the array with the WP pin held high, the device will acknowledge the command, but no write cycle will occur. No data will be written and the device will immediately accept a new command. After a byte Write command, the internal address counter will point to the address location following the one that was just written.

### 4.2 Page Write

The write control byte, word address and the first data byte are transmitted to the 24XX32A in the same way as in a byte write. However, instead of generating a Stop condition, the master transmits up to 31 additional bytes which are temporarily stored in the on-chip page buffer and will be written into memory once the master has transmitted a Stop condition. Upon receipt of each word, the five lower Address Pointer bits are internally incremented by '1'. If the master should transmit more than 32 bytes prior to generating the Stop condition, the address counter will roll over and the previously received data will be overwritten. As with the byte write operation, once the Stop condition is received, an internal write cycle will begin (Figure 4-2). If an attempt is made to write to the array with the WP pin held high, the device will acknowledge the command, but no write cycle will occur, no data will be written, and the device will immediately accept a new command.

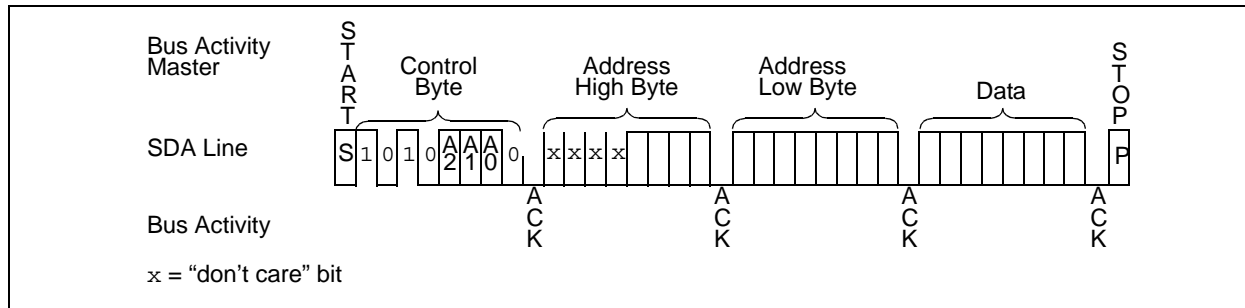
**Note:** Page write operations are limited to writing bytes within a single physical page, **regardless** of the number of bytes actually being written. Physical page boundaries start at addresses that are integer multiples of the page buffer size (or 'page size') and end at addresses that are integer multiples of [page size - 1]. If a Page Write command attempts to write across a physical page boundary, the result is that the data wraps around to the beginning of the current page (overwriting data previously stored there), instead of being written to the next page as might be expected. It is therefore necessary for the application software to prevent page write operations that would attempt to cross a page boundary.

### 4.3 Write Protection

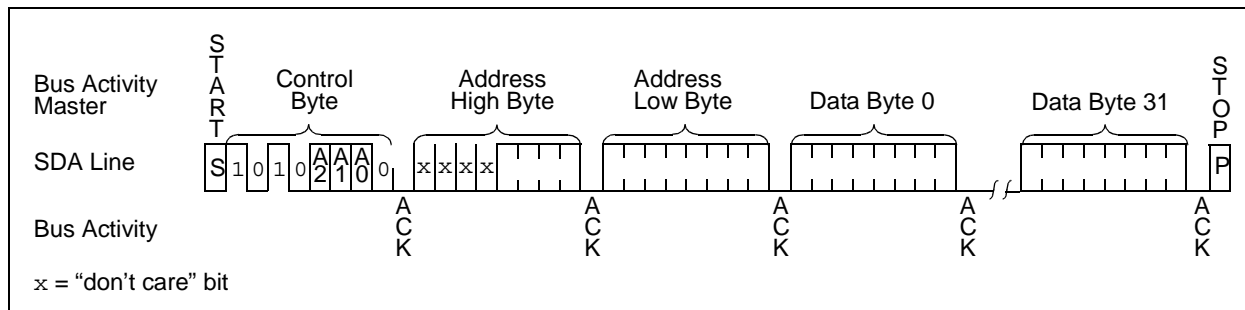
The WP pin allows the user to write-protect the entire array (000-FFF) when the pin is tied to VCC. If tied to VSS the write protection is disabled. The WP pin is sampled at the Stop bit for every Write command (Figure 3-1). Toggling the WP pin after the Stop bit will have no effect on the execution of the write cycle.

# 24AA32A/24LC32A

**FIGURE 4-1: BYTE WRITE**



**FIGURE 4-2: PAGE WRITE**

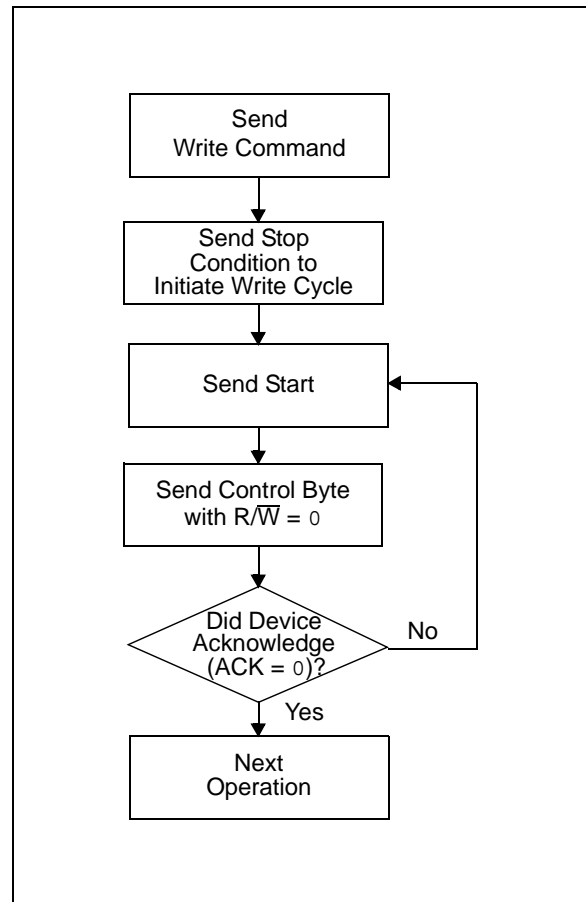




## 5.0 ACKNOWLEDGE POLLING

Since the device will not acknowledge during a write cycle, this can be used to determine when the cycle is complete (this feature can be used to maximize bus throughput). Once the Stop condition for a Write command has been issued from the master, the device initiates the internally-timed write cycle. ACK polling can then be initiated immediately. This involves the master sending a Start condition followed by the control byte for a Write command ( $R/\overline{W} = 0$ ). If the device is still busy with the write cycle, then no ACK will be returned. If no ACK is returned, the Start bit and control byte must be re-sent. If the cycle is complete, the device will return the ACK and the master can then proceed with the next Read or Write command. See Figure 5-1 for flow diagram of this operation.

FIGURE 5-1: ACKNOWLEDGE POLLING FLOW



# 24AA32A/24LC32A

## 6.0 READ OPERATION

Read operations are initiated in the same way as write operations, with the exception that the  $R/\overline{W}$  bit of the control byte is set to '1'. There are three basic types of read operations: current address read, random read and sequential read.

### 6.1 Current Address Read

The 24XX32A contains an address counter that maintains the address of the last word accessed, internally incremented by '1'. Therefore, if the previous read access was to address 'n' (n is any legal address), the next current address read operation would access data from address  $n + 1$ .

Upon receipt of the control byte with  $R/\overline{W}$  bit set to '1', the 24XX32A issues an acknowledge and transmits the 8-bit data word. The master will not acknowledge the transfer, but does generate a Stop condition and the 24XX32A discontinues transmission (Figure 6-1).

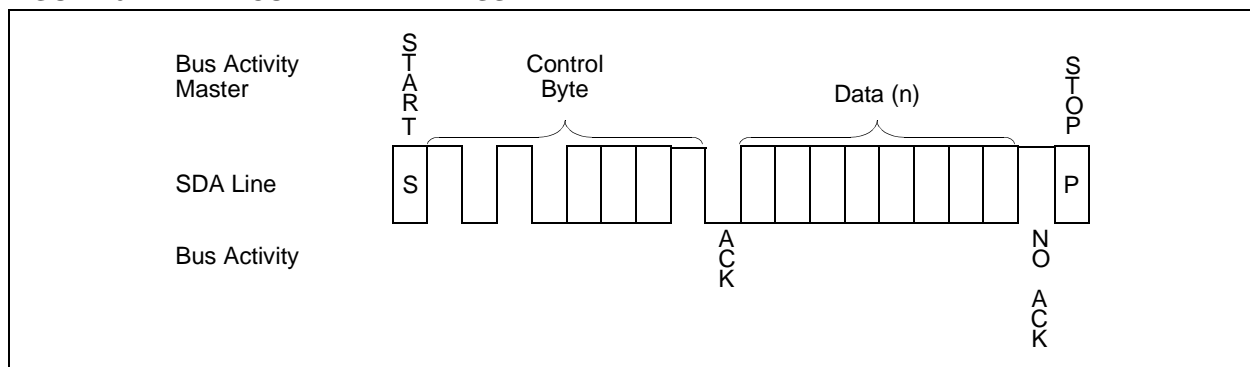
### 6.2 Random Read

Random read operations allow the master to access any memory location in a random manner. To perform this type of read operation, the word address must first be set. This is accomplished by sending the word address to the 24XX32A as part of a write operation ( $R/\overline{W}$  bit set to '0'). Once the word address is sent, the master generates a Start condition following the acknowledge. This terminates the write operation, but not before the internal Address Pointer is set. The master issues the control byte again, but with the  $R/\overline{W}$  bit set to a '1'. The 24XX32A will then issue an acknowledge and transmit the 8-bit data word. The master will not acknowledge the transfer, but does generate a Stop condition which causes the 24XX32A to discontinue transmission (Figure 6-2). After a random Read command, the internal address counter will point to the address location following the one that was just read.

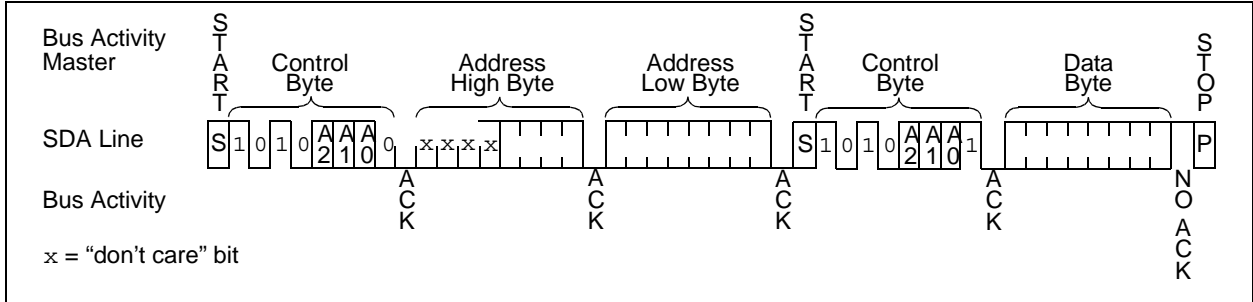
### 6.3 Sequential Read

Sequential reads are initiated in the same way as a random read, except that once the 24XX32A transmits the first data byte, the master issues an acknowledge as opposed to the Stop condition used in a random read. This acknowledge directs the 24XX32A to transmit the next sequentially addressed 8-bit word (Figure 6-3). Following the final byte transmitted to the master, the master will NOT generate an acknowledge, but will generate a Stop condition. To provide sequential reads, the 24XX32A contains an internal Address Pointer which is incremented by '1' upon completion of each operation. This Address Pointer allows the entire memory contents to be serially read during one operation. The internal Address Pointer will automatically roll over from address FFF to address 000 if the master acknowledges the byte received from the array address FFF.

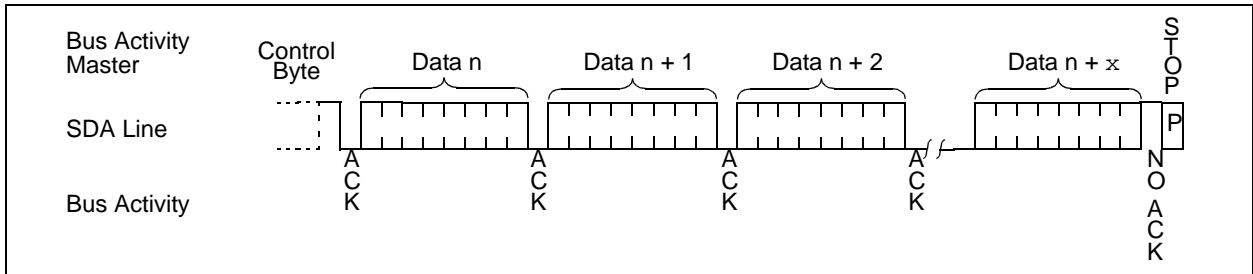
FIGURE 6-1: CURRENT ADDRESS READ



**FIGURE 6-2: RANDOM READ**



**FIGURE 6-3: SEQUENTIAL READ**



# 24AA32A/24LC32A

## 7.0 PIN DESCRIPTIONS

The descriptions of the pins are listed in Table 7-1.

**TABLE 7-1: PIN FUNCTION TABLE**

| Name | PDIP | SOIC | TSSOP | DFN | MSOP | ROTATED TSSOP | Description                |
|------|------|------|-------|-----|------|---------------|----------------------------|
| A0   | 1    | 1    | 1     | 1   | 1    | 3             | Chip Address Input         |
| A1   | 2    | 2    | 2     | 2   | 2    | 4             | Chip Address Input         |
| A2   | 3    | 3    | 3     | 3   | 3    | 5             | Chip Address Input         |
| VSS  | 4    | 4    | 4     | 4   | 4    | 6             | Ground                     |
| SDA  | 5    | 5    | 5     | 5   | 5    | 7             | Serial Address/Data I/O    |
| SCL  | 6    | 6    | 6     | 6   | 6    | 8             | Serial Clock               |
| WP   | 7    | 7    | 7     | 7   | 7    | 1             | Write-Protect Input        |
| VCC  | 8    | 8    | 8     | 8   | 8    | 2             | +1.8V to 5.5V Power Supply |

### 7.1 A0, A1, A2 Chip Address Inputs

The A0, A1 and A2 inputs are used by the 24XX32A for multiple device operation. The levels on these inputs are compared with the corresponding bits in the slave address. The chip is selected if the comparison is true.

Up to eight devices may be connected to the same bus by using different Chip Select bit combinations. These inputs must be connected to either VCC or VSS.

In most applications, the chip address inputs A0, A1 and A2 are hard-wired to logic '0' or logic '1'. For applications in which these pins are controlled by a microcontroller or other programmable device, the chip address pins must be driven to logic '0' or logic '1' before normal device operation can proceed.

### 7.2 Serial Data (SDA)

SDA is a bidirectional pin used to transfer addresses and data into and out of the device. It is an open-drain terminal, therefore, the SDA bus requires a pull-up resistor to VCC (typical 10 k $\Omega$  for 100 kHz, 2 k $\Omega$  for 400 kHz)

For normal data transfer, SDA is allowed to change only during SCL low. Changes during SCL high are reserved for indicating Start and Stop conditions.

### 7.3 Serial Clock (SCL)

The SCL input is used to synchronize the data transfer to and from the device.

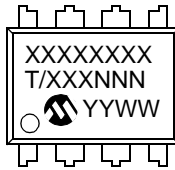
### 7.4 Write-Protect (WP)

This pin must be connected to either VSS or VCC. If tied to VSS, write operations are enabled. If tied to VCC, write operations are inhibited but read operations are not affected.

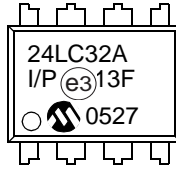
## 8.0 PACKAGING INFORMATION

### 8.1 Package Marking Information

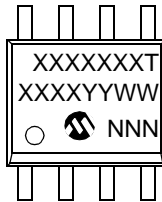
8-Lead PDIP (300 mil)



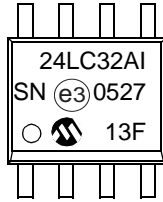
Example:



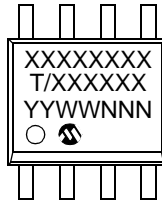
8-Lead SOIC (150 mil)



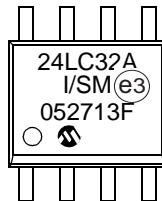
Example:



8-Lead SOIC (208 mil)



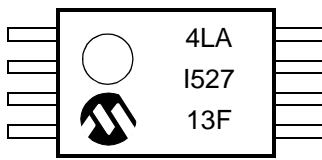
Example:



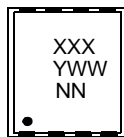
8-Lead TSSOP



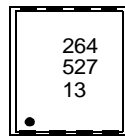
Example:



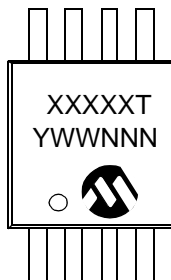
8-Lead 2x3 DFN



Example:



8-Lead MSOP



Example:



# 24AA32A/24LC32A

---

---

| Part Number | 1st Line Marking Codes |         |        |         |         |
|-------------|------------------------|---------|--------|---------|---------|
|             | TSSOP                  |         | MSOP   | DFN     |         |
|             | Standard               | Rotated |        | I Temp. | E Temp. |
| 24AA32A     | 4AA                    | 4AAX    | 4A32AT | 261     | 262     |
| 24LC32A     | 4LA                    | 4LAX    | 4L32AT | 264     | 265     |

**Note:** T = Temperature grade (I, E)

|                                                                                                                                                                                                                                                                                                                                                                     |
|---------------------------------------------------------------------------------------------------------------------------------------------------------------------------------------------------------------------------------------------------------------------------------------------------------------------------------------------------------------------|
| <p><b>Legend:</b> XX...X Part number or part number code<br/>T Temperature (I, E)<br/>Y Year code (last digit of calendar year)<br/>YY Year code (last 2 digits of calendar year)<br/>WW Week code (week of January 1 is week '01')<br/>NNN Alphanumeric traceability code (2 characters for small packages)<br/>Ⓔ3 Pb-free JEDEC designator for Matte Tin (Sn)</p> |
|---------------------------------------------------------------------------------------------------------------------------------------------------------------------------------------------------------------------------------------------------------------------------------------------------------------------------------------------------------------------|

|                                                                                                                                                               |
|---------------------------------------------------------------------------------------------------------------------------------------------------------------|
| <p><b>Note:</b> For very small packages with no room for the Pb-free JEDEC designator Ⓔ3, the marking will only appear on the outer carton or reel label.</p> |
|---------------------------------------------------------------------------------------------------------------------------------------------------------------|

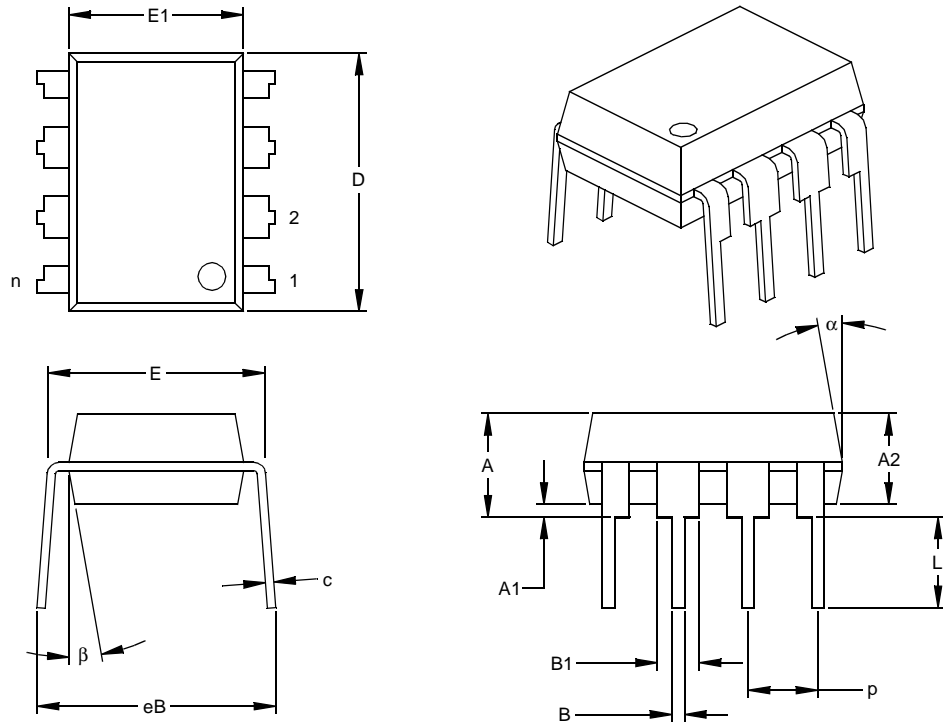
|                                                                                                                                                                                                                             |
|-----------------------------------------------------------------------------------------------------------------------------------------------------------------------------------------------------------------------------|
| <p><b>Note:</b> In the event the full Microchip part number cannot be marked on one line, it will be carried over to the next line, thus limiting the number of available characters for customer-specific information.</p> |
|-----------------------------------------------------------------------------------------------------------------------------------------------------------------------------------------------------------------------------|

**Note:** Please visit [www.microchip.com/Pbfree](http://www.microchip.com/Pbfree) for the latest information on Pb-free conversion.

\*Standard OTP marking consists of Microchip part number, year code, week code, and traceability code.

# 24AA32A/24LC32A

## 8-Lead Plastic Dual In-line (P) – 300 mil (PDIP)



| Dimension Limits           | Units | INCHES* |      |      | MILLIMETERS |      |       |
|----------------------------|-------|---------|------|------|-------------|------|-------|
|                            |       | MIN     | NOM  | MAX  | MIN         | NOM  | MAX   |
| Number of Pins             | n     |         | 8    |      |             | 8    |       |
| Pitch                      | p     |         | .100 |      |             | 2.54 |       |
| Top to Seating Plane       | A     | .140    | .155 | .170 | 3.56        | 3.94 | 4.32  |
| Molded Package Thickness   | A2    | .115    | .130 | .145 | 2.92        | 3.30 | 3.68  |
| Base to Seating Plane      | A1    | .015    |      |      | 0.38        |      |       |
| Shoulder to Shoulder Width | E     | .300    | .313 | .325 | 7.62        | 7.94 | 8.26  |
| Molded Package Width       | E1    | .240    | .250 | .260 | 6.10        | 6.35 | 6.60  |
| Overall Length             | D     | .360    | .373 | .385 | 9.14        | 9.46 | 9.78  |
| Tip to Seating Plane       | L     | .125    | .130 | .135 | 3.18        | 3.30 | 3.43  |
| Lead Thickness             | c     | .008    | .012 | .015 | 0.20        | 0.29 | 0.38  |
| Upper Lead Width           | B1    | .045    | .058 | .070 | 1.14        | 1.46 | 1.78  |
| Lower Lead Width           | B     | .014    | .018 | .022 | 0.36        | 0.46 | 0.56  |
| Overall Row Spacing        | § eB  | .310    | .370 | .430 | 7.87        | 9.40 | 10.92 |
| Mold Draft Angle Top       | α     | 5       | 10   | 15   | 5           | 10   | 15    |
| Mold Draft Angle Bottom    | β     | 5       | 10   | 15   | 5           | 10   | 15    |

\* Controlling Parameter

§ Significant Characteristic

### Notes:

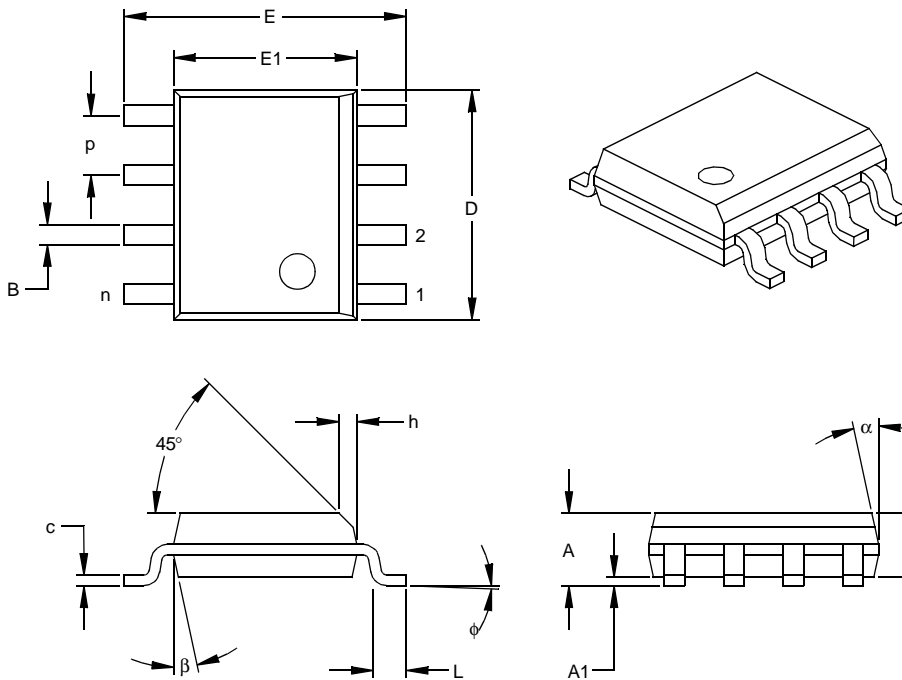
Dimensions D and E1 do not include mold flash or protrusions. Mold flash or protrusions shall not exceed .010" (0.254mm) per side.

JEDEC Equivalent: MS-001

Drawing No. C04-018

# 24AA32A/24LC32A

## 8-Lead Plastic Small Outline (SN) – Narrow, 150 mil (SOIC)



| Units                    |    | INCHES* |      |      | MILLIMETERS |      |      |
|--------------------------|----|---------|------|------|-------------|------|------|
| Dimension Limits         |    | MIN     | NOM  | MAX  | MIN         | NOM  | MAX  |
| Number of Pins           | n  |         | 8    |      |             | 8    |      |
| Pitch                    | p  |         | .050 |      |             | 1.27 |      |
| Overall Height           | A  | .053    | .061 | .069 | 1.35        | 1.55 | 1.75 |
| Molded Package Thickness | A2 | .052    | .056 | .061 | 1.32        | 1.42 | 1.55 |
| Standoff §               | A1 | .004    | .007 | .010 | 0.10        | 0.18 | 0.25 |
| Overall Width            | E  | .228    | .237 | .244 | 5.79        | 6.02 | 6.20 |
| Molded Package Width     | E1 | .146    | .154 | .157 | 3.71        | 3.91 | 3.99 |
| Overall Length           | D  | .189    | .193 | .197 | 4.80        | 4.90 | 5.00 |
| Chamfer Distance         | h  | .010    | .015 | .020 | 0.25        | 0.38 | 0.51 |
| Foot Length              | L  | .019    | .025 | .030 | 0.48        | 0.62 | 0.76 |
| Foot Angle               | φ  | 0       | 4    | 8    | 0           | 4    | 8    |
| Lead Thickness           | c  | .008    | .009 | .010 | 0.20        | 0.23 | 0.25 |
| Lead Width               | B  | .013    | .017 | .020 | 0.33        | 0.42 | 0.51 |
| Mold Draft Angle Top     | α  | 0       | 12   | 15   | 0           | 12   | 15   |
| Mold Draft Angle Bottom  | β  | 0       | 12   | 15   | 0           | 12   | 15   |

\* Controlling Parameter

§ Significant Characteristic

**Notes:**

Dimensions D and E1 do not include mold flash or protrusions. Mold flash or protrusions shall not exceed .010" (0.254mm) per side.

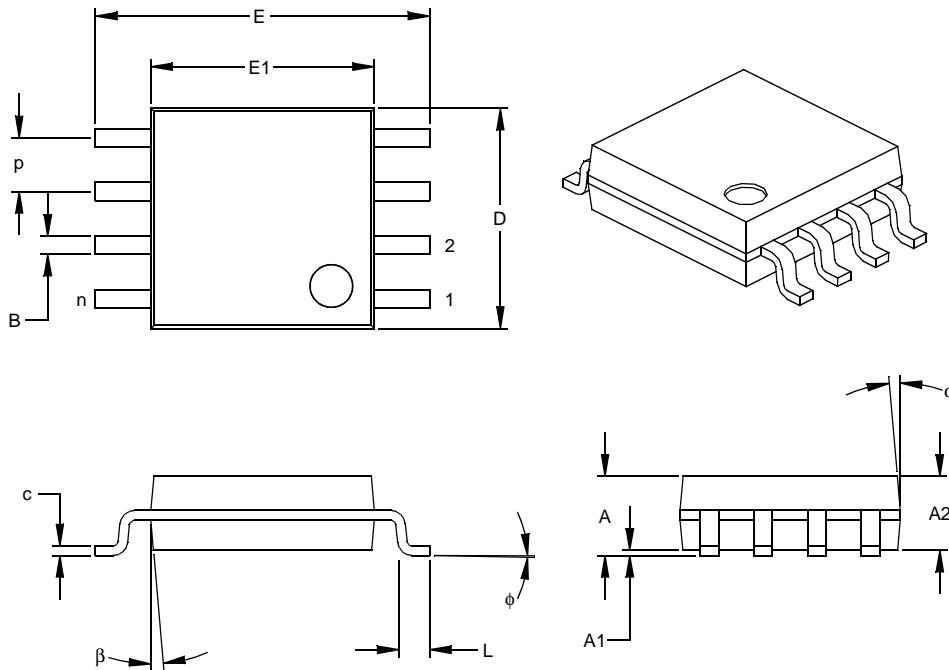
JEDEC Equivalent: MS-012

Drawing No. C04-057



# 24AA32A/24LC32A

## 8-Lead Plastic Small Outline (SM) – Medium, 208 mil (SOIC)



| Units                    |    | INCHES* |      |      | MILLIMETERS |      |      |
|--------------------------|----|---------|------|------|-------------|------|------|
| Dimension Limits         |    | MIN     | NOM  | MAX  | MIN         | NOM  | MAX  |
| Number of Pins           | n  |         | 8    |      |             | 8    |      |
| Pitch                    | p  |         | .050 |      |             | 1.27 |      |
| Overall Height           | A  | .070    | .075 | .080 | 1.78        | 1.97 | 2.03 |
| Molded Package Thickness | A2 | .069    | .074 | .078 | 1.75        | 1.88 | 1.98 |
| Standoff §               | A1 | .002    | .005 | .010 | 0.05        | 0.13 | 0.25 |
| Overall Width            | E  | .300    | .313 | .325 | 7.62        | 7.95 | 8.26 |
| Molded Package Width     | E1 | .201    | .208 | .212 | 5.11        | 5.28 | 5.38 |
| Overall Length           | D  | .202    | .205 | .210 | 5.13        | 5.21 | 5.33 |
| Foot Length              | L  | .020    | .025 | .030 | 0.51        | 0.64 | 0.76 |
| Foot Angle               | φ  | 0       | 4    | 8    | 0           | 4    | 8    |
| Lead Thickness           | c  | .008    | .009 | .010 | 0.20        | 0.23 | 0.25 |
| Lead Width               | B  | .014    | .017 | .020 | 0.36        | 0.43 | 0.51 |
| Mold Draft Angle Top     | α  | 0       | 12   | 15   | 0           | 12   | 15   |
| Mold Draft Angle Bottom  | β  | 0       | 12   | 15   | 0           | 12   | 15   |

\* Controlling Parameter  
 § Significant Characteristic

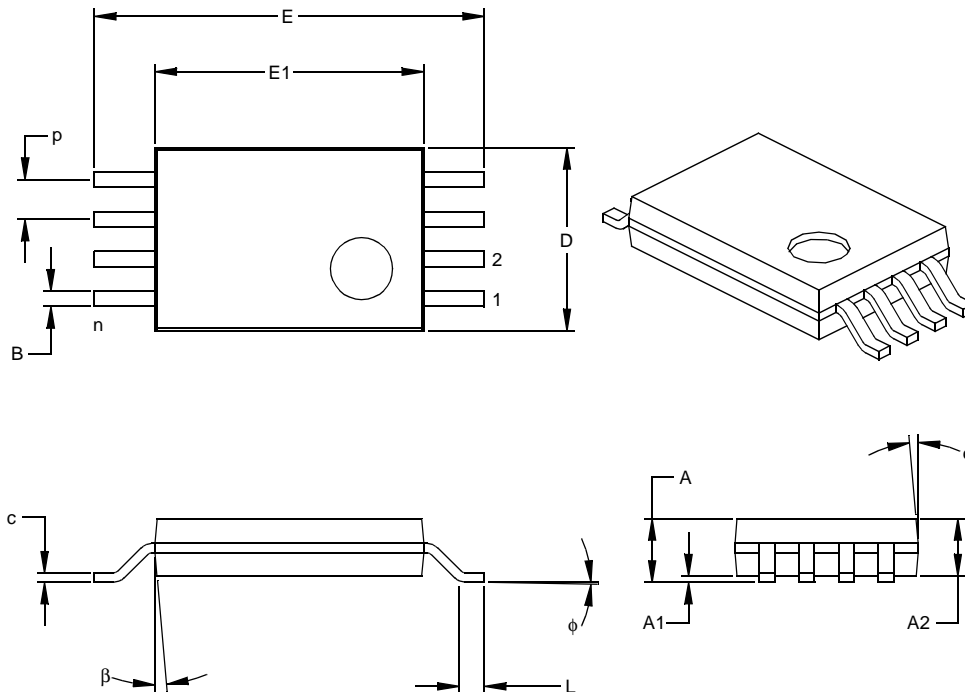
Notes:

Dimensions D and E1 do not include mold flash or protrusions. Mold flash or protrusions shall not exceed .010" (0.254mm) per side.

Drawing No. C04-056

# 24AA32A/24LC32A

## 8-Lead Plastic Thin Shrink Small Outline (ST) – 4.4 mm (TSSOP)



| Dimension Limits         | Units | INCHES |      |      | MILLIMETERS* |      |      |
|--------------------------|-------|--------|------|------|--------------|------|------|
|                          | n     | MIN    | NOM  | MAX  | MIN          | NOM  | MAX  |
| Number of Pins           | n     |        |      | 8    |              |      | 8    |
| Pitch                    | p     |        | .026 |      |              | 0.65 |      |
| Overall Height           | A     |        |      | .043 |              |      | 1.10 |
| Molded Package Thickness | A2    | .033   | .035 | .037 | 0.85         | 0.90 | 0.95 |
| Standoff §               | A1    | .002   | .004 | .006 | 0.05         | 0.10 | 0.15 |
| Overall Width            | E     | .246   | .251 | .256 | 6.25         | 6.38 | 6.50 |
| Molded Package Width     | E1    | .169   | .173 | .177 | 4.30         | 4.40 | 4.50 |
| Molded Package Length    | D     | .114   | .118 | .122 | 2.90         | 3.00 | 3.10 |
| Foot Length              | L     | .020   | .024 | .028 | 0.50         | 0.60 | 0.70 |
| Foot Angle               | φ     | 0      | 4    | 8    | 0            | 4    | 8    |
| Lead Thickness           | c     | .004   | .006 | .008 | 0.09         | 0.15 | 0.20 |
| Lead Width               | B     | .007   | .010 | .012 | 0.19         | 0.25 | 0.30 |
| Mold Draft Angle Top     | α     | 0      | 5    | 10   | 0            | 5    | 10   |
| Mold Draft Angle Bottom  | β     | 0      | 5    | 10   | 0            | 5    | 10   |

\* Controlling Parameter

§ Significant Characteristic

### Notes:

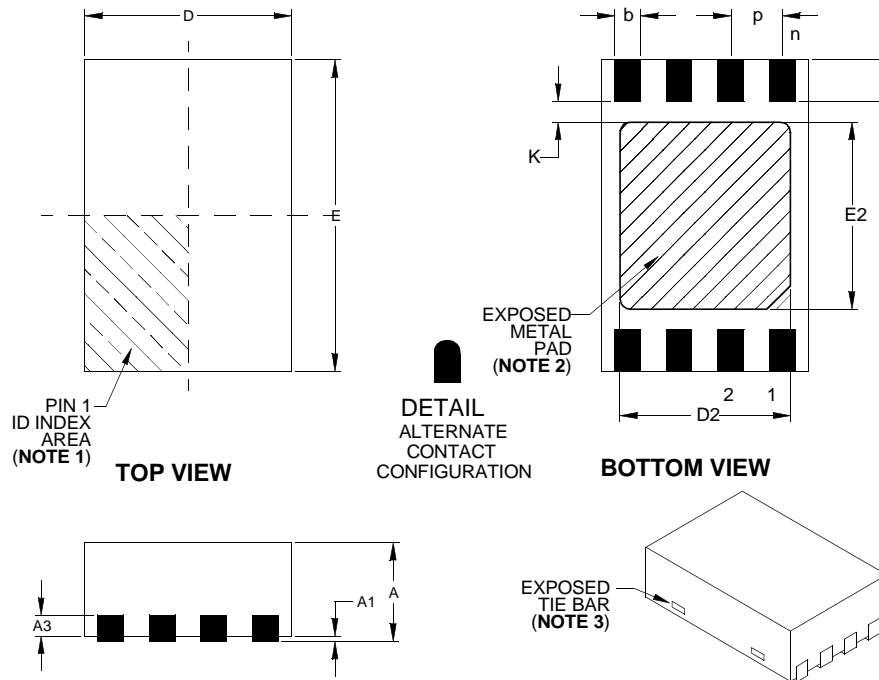
Dimensions D and E1 do not include mold flash or protrusions. Mold flash or protrusions shall not exceed .005" (0.127mm) per side.

JEDEC Equivalent: MO-153

Drawing No. C04-086

# 24AA32A/24LC32A

## 8-Lead Plastic Dual Flat No Lead Package (MC) 2x3x0.9 mm Body (DFN) – Saw Singulated



| Dimension Limits         | Units | INCHES    |      |      | MILLIMETERS* |      |      |
|--------------------------|-------|-----------|------|------|--------------|------|------|
|                          |       | MIN       | NOM  | MAX  | MIN          | NOM  | MAX  |
| Number of Pins           | n     |           | 8    |      |              | 8    |      |
| Pitch                    | e     | .020 BSC  |      |      | 0.50 BSC     |      |      |
| Overall Height           | A     | .031      | .035 | .039 | 0.80         | 0.90 | 1.00 |
| Standoff                 | A1    | .000      | .001 | .002 | 0.00         | 0.02 | 0.05 |
| Contact Thickness        | A3    | .008 REF. |      |      | 0.20 REF.    |      |      |
| Overall Length           | D     | .079 BSC  |      |      | 2.00 BSC     |      |      |
| Overall Width            | E     | .118 BSC  |      |      | 3.00 BSC     |      |      |
| Exposed Pad Length       | D2    | .051      | –    | .069 | 1.30**       | –    | 1.75 |
| Exposed Pad Width        | E2    | .059      | –    | .075 | 1.50**       | –    | 1.90 |
| Contact Length §         | L     | .012      | .016 | .020 | 0.30         | 0.40 | 0.50 |
| Contact-to-Exposed Pad § | K     | .008      | –    | –    | 0.20         | –    | –    |
| Contact Width            | b     | .008      | .010 | .012 | 0.20         | 0.25 | 0.30 |

\* Controlling Parameter

\*\* Not within JEDEC parameters

§ Significant Characteristic

**Notes:**

1. Pin 1 visual index feature may vary, but must be located within the hatched area.

2. Exposed pad may vary according to die attach paddle size.

3. Package may have one or more exposed tie bars at ends.

BSC: Basic Dimension. Theoretically exact value shown without tolerances.

See ASME Y14.5M

REF: Reference Dimension, usually without tolerance, for information purposes only.

See ASME Y14.5M

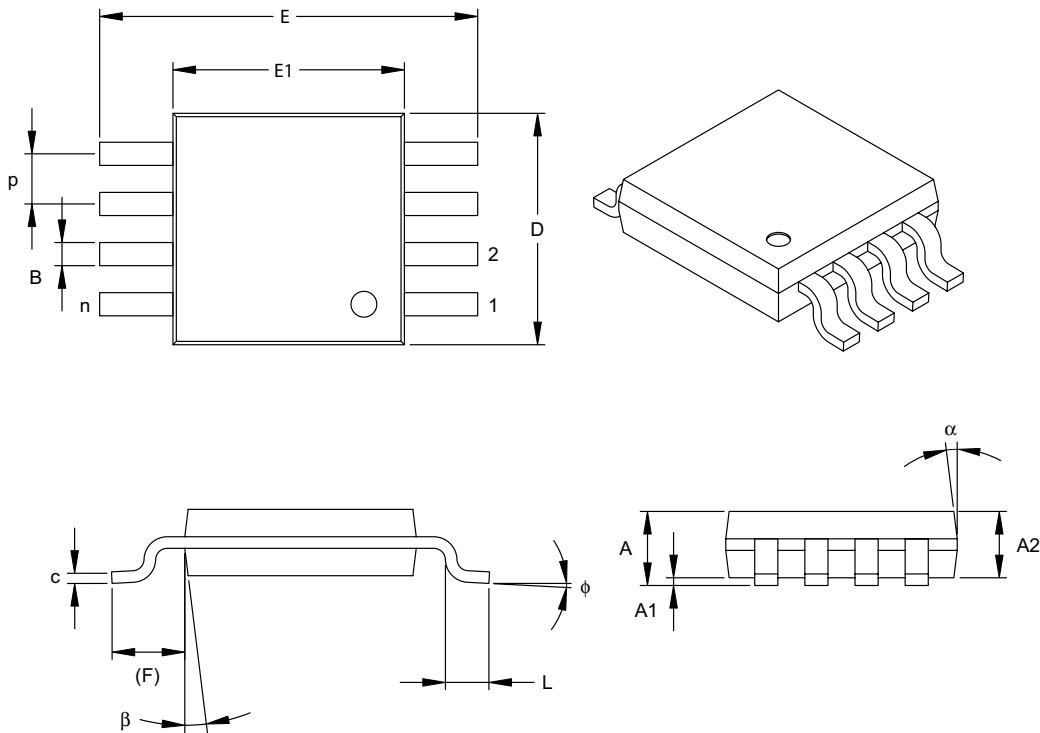
JEDEC Equivalent MO-229 VCED-2

DWG No. C04-123

Revised 09-12-05

# 24AA32A/24LC32A

## 8-Lead Plastic Micro Small Outline Package (MS) (MSOP)



| Units                    |          | INCHES    |      |      | MILLIMETERS* |      |      |
|--------------------------|----------|-----------|------|------|--------------|------|------|
| Dimension Limits         |          | MIN       | NOM  | MAX  | MIN          | NOM  | MAX  |
| Number of Pins           | n        | 8         |      |      | 8            |      |      |
| Pitch                    | p        | .026 BSC  |      |      | 0.65 BSC     |      |      |
| Overall Height           | A        | -         | -    | .043 | -            | -    | 1.10 |
| Molded Package Thickness | A2       | .030      | .033 | .037 | 0.75         | 0.85 | 0.95 |
| Standoff                 | A1       | .000      | -    | .006 | 0.00         | -    | 0.15 |
| Overall Width            | E        | .193 TYP. |      |      | 4.90 BSC     |      |      |
| Molded Package Width     | E1       | .118 BSC  |      |      | 3.00 BSC     |      |      |
| Overall Length           | D        | .118 BSC  |      |      | 3.00 BSC     |      |      |
| Foot Length              | L        | .016      | .024 | .031 | 0.40         | 0.60 | 0.80 |
| Footprint (Reference)    | F        | .037 REF  |      |      | 0.95 REF     |      |      |
| Foot Angle               | $\phi$   | 0°        | -    | 8°   | 0°           | -    | 8°   |
| Lead Thickness           | c        | .003      | .006 | .009 | 0.08         | -    | 0.23 |
| Lead Width               | B        | .009      | .012 | .016 | 0.22         | -    | 0.40 |
| Mold Draft Angle Top     | $\alpha$ | 5°        | -    | 15°  | 5°           | -    | 15°  |
| Mold Draft Angle Bottom  | $\beta$  | 5°        | -    | 15°  | 5°           | -    | 15°  |

\*Controlling Parameter

Notes:

Dimensions D and E1 do not include mold flash or protrusions. Mold flash or protrusions shall not exceed .010" (0.254mm) per side.

JEDEC Equivalent: MO-187

Drawing No. C04-111

## APPENDIX A: REVISION HISTORY

### Revision D

Corrections to Section 1.0, Electrical Characteristics.

### Revision E

Added DFN package.

### Revision F

Revised Sections 4.3, 7.2 and 7.4.

### Revision G

Replaced 2x3 DFN (MC) Package

# 24AA32A/24LC32A

---

NOTES:

## THE MICROCHIP WEB SITE

Microchip provides online support via our WWW site at [www.microchip.com](http://www.microchip.com). This web site is used as a means to make files and information easily available to customers. Accessible by using your favorite Internet browser, the web site contains the following information:

- **Product Support** – Data sheets and errata, application notes and sample programs, design resources, user's guides and hardware support documents, latest software releases and archived software
- **General Technical Support** – Frequently Asked Questions (FAQ), technical support requests, online discussion groups, Microchip consultant program member listing
- **Business of Microchip** – Product selector and ordering guides, latest Microchip press releases, listing of seminars and events, listings of Microchip sales offices, distributors and factory representatives

## CUSTOMER CHANGE NOTIFICATION SERVICE

Microchip's customer notification service helps keep customers current on Microchip products. Subscribers will receive e-mail notification whenever there are changes, updates, revisions or errata related to a specified product family or development tool of interest.

To register, access the Microchip web site at [www.microchip.com](http://www.microchip.com), click on Customer Change Notification and follow the registration instructions.

## CUSTOMER SUPPORT

Users of Microchip products can receive assistance through several channels:

- Distributor or Representative
- Local Sales Office
- Field Application Engineer (FAE)
- Technical Support
- Development Systems Information Line

Customers should contact their distributor, representative or field application engineer (FAE) for support. Local sales offices are also available to help customers. A listing of sales offices and locations is included in the back of this document.

**Technical support is available through the web site at: <http://support.microchip.com>**

# 24AA32A/24LC32A

---

---

## READER RESPONSE

It is our intention to provide you with the best documentation possible to ensure successful use of your Microchip product. If you wish to provide your comments on organization, clarity, subject matter, and ways in which our documentation can better serve you, please FAX your comments to the Technical Publications Manager at (480) 792-4150.

Please list the following information, and use this outline to provide us with your comments about this document.

To: Technical Publications Manager  
RE: Reader Response  
Total Pages Sent \_\_\_\_\_

From: Name \_\_\_\_\_  
Company \_\_\_\_\_  
Address \_\_\_\_\_  
City / State / ZIP / Country \_\_\_\_\_  
Telephone: (\_\_\_\_\_) \_\_\_\_\_ - \_\_\_\_\_ FAX: (\_\_\_\_\_) \_\_\_\_\_ - \_\_\_\_\_

Application (optional):

Would you like a reply? \_\_\_Y \_\_\_N

Device: 24AA32A/24LC32A

Literature Number: DS21713G

Questions:

1. What are the best features of this document?

---

---

2. How does this document meet your hardware and software development needs?

---

---

3. Do you find the organization of this document easy to follow? If not, why?

---

---

4. What additions to the document do you think would enhance the structure and subject?

---

---

5. What deletions from the document could be made without affecting the overall usefulness?

---

---

6. Is there any incorrect or misleading information (what and where)?

---

---

7. How would you improve this document?

---

---



## PRODUCT IDENTIFICATION SYSTEM

To order or obtain information, e.g., on pricing or delivery, refer to the factory or the listed sales office.

| <u>PART NO.</u>           | <u>X</u>                                                                   | <u>/XX</u>                                                 | <u>X</u>    |  |
|---------------------------|----------------------------------------------------------------------------|------------------------------------------------------------|-------------|--|
| Device                    | Temperature Range                                                          | Package                                                    | Lead Finish |  |
| <b>Device:</b>            |                                                                            |                                                            |             |  |
| 24AA32A:                  | 1.8V, 32 Kbit I <sup>2</sup> C Serial EEPROM                               |                                                            |             |  |
| 24AA32AT:                 | 1.8V, 32 Kbit I <sup>2</sup> C Serial EEPROM (Tape and Reel)               |                                                            |             |  |
| 24AA32AX                  | 1.8V, 32 Kbit I <sup>2</sup> C Serial EEPROM in alternate pinout (ST only) |                                                            |             |  |
| 24AA32AXT                 | 1.8V, 32 Kbit I <sup>2</sup> C Serial EEPROM in alternate pinout (ST only) |                                                            |             |  |
| 24LC32A:                  | 2.5V, 32 Kbit I <sup>2</sup> C Serial EEPROM                               |                                                            |             |  |
| 24LC32AT:                 | 2.5V, 32 Kbit I <sup>2</sup> C Serial EEPROM (Tape and Reel)               |                                                            |             |  |
| 24LC32AX                  | 2.5V, 32 Kbit I <sup>2</sup> C Serial EEPROM in alternate pinout (ST only) |                                                            |             |  |
| 24LC32AXT                 | 2.5V, 32 Kbit I <sup>2</sup> C Serial EEPROM in alternate pinout (ST only) |                                                            |             |  |
| <b>Temperature Range:</b> |                                                                            |                                                            |             |  |
| I                         | =                                                                          | -40°C to +85°C                                             |             |  |
| E                         | =                                                                          | -40°C to +125°C                                            |             |  |
| <b>Package:</b>           |                                                                            |                                                            |             |  |
| P                         | =                                                                          | Plastic DIP (300 mil body), 8-lead                         |             |  |
| SN                        | =                                                                          | Plastic SOIC (150 mil body), 8-lead                        |             |  |
| SM                        | =                                                                          | Plastic SOIC (208 mil body), 8-lead                        |             |  |
| ST                        | =                                                                          | Plastic TSSOP (4.4 mm), 8-lead                             |             |  |
| MS                        | =                                                                          | Plastic Micro Small Outline (MSOP), 8-lead                 |             |  |
| MC                        | =                                                                          | 2x3 DFN, 8-lead                                            |             |  |
| <b>Lead Finish:</b>       |                                                                            |                                                            |             |  |
| Blank                     | =                                                                          | Pb-free – Matte Tin ( <b>see Note 1</b> )                  |             |  |
| G                         | =                                                                          | Pb-free – Matte Tin only                                   |             |  |
| <b>Examples:</b>          |                                                                            |                                                            |             |  |
| a)                        | 24AA32A-I/P:                                                               | Industrial Temperature, 1.8V, PDIP package                 |             |  |
| b)                        | 24AA32A-I/SN:                                                              | Industrial Temperature, 1.8V, SOIC package                 |             |  |
| c)                        | 24AA32A-I/SM:                                                              | Industrial Temperature, 1.8V, SOIC (208 mil) package       |             |  |
| d)                        | 24AA32AX-I/ST:                                                             | Industrial Temp., 1.8V, Rotated TSSOP package              |             |  |
| e)                        | 24AA32A-I/ST:                                                              | Industrial Temperature, 1.8V, TSSOP package                |             |  |
| f)                        | 24LC32A-I/P:                                                               | Industrial Temperature, 2.5V, PDIP package                 |             |  |
| g)                        | 24LC32A-E/SN:                                                              | Automotive Temperature, 2.5V SOIC package                  |             |  |
| h)                        | 24LC32A-E/SM:                                                              | Automotive Temperature, 2.5V SOIC (208 mil) package        |             |  |
| i)                        | 24LC32AX-E/ST:                                                             | Automotive Temperature, 2.5V, Rotated TSSOP package        |             |  |
| j)                        | 24LC32AT-I/ST:                                                             | Industrial Temperature, 2.5V, TSSOP package, Tape and Reel |             |  |

**Note 1:** Most products manufactured after January 2005 will have a Matte Tin (Pb-free) finish. Most products manufactured before January 2005 will have a finish of approximately 63% Sn and 37% Pb (Sn/Pb). Please visit [www.microchip.com](http://www.microchip.com) for the latest information on Pb-free conversion, including conversion date codes.

# 24AA32A/24LC32A

---

NOTES:

---

---

**Note the following details of the code protection feature on Microchip devices:**

- Microchip products meet the specification contained in their particular Microchip Data Sheet.
- Microchip believes that its family of products is one of the most secure families of its kind on the market today, when used in the intended manner and under normal conditions.
- There are dishonest and possibly illegal methods used to breach the code protection feature. All of these methods, to our knowledge, require using the Microchip products in a manner outside the operating specifications contained in Microchip's Data Sheets. Most likely, the person doing so is engaged in theft of intellectual property.
- Microchip is willing to work with the customer who is concerned about the integrity of their code.
- Neither Microchip nor any other semiconductor manufacturer can guarantee the security of their code. Code protection does not mean that we are guaranteeing the product as "unbreakable."

Code protection is constantly evolving. We at Microchip are committed to continuously improving the code protection features of our products. Attempts to break Microchip's code protection feature may be a violation of the Digital Millennium Copyright Act. If such acts allow unauthorized access to your software or other copyrighted work, you may have a right to sue for relief under that Act.

---

Information contained in this publication regarding device applications and the like is provided only for your convenience and may be superseded by updates. It is your responsibility to ensure that your application meets with your specifications. MICROCHIP MAKES NO REPRESENTATIONS OR WARRANTIES OF ANY KIND WHETHER EXPRESS OR IMPLIED, WRITTEN OR ORAL, STATUTORY OR OTHERWISE, RELATED TO THE INFORMATION, INCLUDING BUT NOT LIMITED TO ITS CONDITION, QUALITY, PERFORMANCE, MERCHANTABILITY OR FITNESS FOR PURPOSE. Microchip disclaims all liability arising from this information and its use. Use of Microchip devices in life support and/or safety applications is entirely at the buyer's risk, and the buyer agrees to defend, indemnify and hold harmless Microchip from any and all damages, claims, suits, or expenses resulting from such use. No licenses are conveyed, implicitly or otherwise, under any Microchip intellectual property rights.

#### **Trademarks**

The Microchip name and logo, the Microchip logo, Accuron, dsPIC, KEELOQ, microID, MPLAB, PIC, PICmicro, PICSTART, PRO MATE, PowerSmart, rfPIC, and SmartShunt are registered trademarks of Microchip Technology Incorporated in the U.S.A. and other countries.


AmpLab, FilterLab, Migratable Memory, MXDEV, MXLAB, SEEVAL, SmartSensor and The Embedded Control Solutions Company are registered trademarks of Microchip Technology Incorporated in the U.S.A.

Analog-for-the-Digital Age, Application Maestro, dsPICDEM, dsPICDEM.net, dsPICworks, ECAN, ECONOMONITOR, FanSense, FlexROM, fuzzyLAB, In-Circuit Serial Programming, ICSP, ICEPIC, Linear Active Thermistor, Mindi, MiWi, MPASM, MPLIB, MPLINK, PICkit, PICDEM, PICDEM.net, PICLAB, PICtail, PowerCal, PowerInfo, PowerMate, PowerTool, REAL ICE, rLAB, rfPICDEM, Select Mode, Smart Serial, SmartTel, Total Endurance, UNI/O, WiperLock and ZENA are trademarks of Microchip Technology Incorporated in the U.S.A. and other countries.

SQTP is a service mark of Microchip Technology Incorporated in the U.S.A.

All other trademarks mentioned herein are property of their respective companies.

© 2006, Microchip Technology Incorporated, Printed in the U.S.A., All Rights Reserved.

 Printed on recycled paper.

**QUALITY MANAGEMENT SYSTEM**  
**CERTIFIED BY DNV**  
**== ISO/TS 16949:2002 ==**

*Microchip received ISO/TS-16949:2002 certification for its worldwide headquarters, design and wafer fabrication facilities in Chandler and Tempe, Arizona, Gresham, Oregon and Mountain View, California. The Company's quality system processes and procedures are for its PICmicro® 8-bit MCUs, KEELOQ® code hopping devices, Serial EEPROMs, microperipherals, nonvolatile memory and analog products. In addition, Microchip's quality system for the design and manufacture of development systems is ISO 9001:2000 certified.*



---

---

## WORLDWIDE SALES AND SERVICE

---

---

### AMERICAS

**Corporate Office**  
2355 West Chandler Blvd.  
Chandler, AZ 85224-6199  
Tel: 480-792-7200  
Fax: 480-792-7277  
Technical Support:  
<http://support.microchip.com>  
Web Address:  
[www.microchip.com](http://www.microchip.com)

**Asia Pacific Office**  
Suites 3707-14, 37th Floor  
Tower 6, The Gateway  
Harbour City, Kowloon  
Hong Kong  
Tel: 852-2401-1200  
Fax: 852-2401-3431

**Atlanta**  
Alpharetta, GA  
Tel: 770-640-0034  
Fax: 770-640-0307

**Boston**  
Westborough, MA  
Tel: 774-760-0087  
Fax: 774-760-0088

**Chicago**  
Itasca, IL  
Tel: 630-285-0071  
Fax: 630-285-0075

**Dallas**  
Addison, TX  
Tel: 972-818-7423  
Fax: 972-818-2924

**Detroit**  
Farmington Hills, MI  
Tel: 248-538-2250  
Fax: 248-538-2260

**Kokomo**  
Kokomo, IN  
Tel: 765-864-8360  
Fax: 765-864-8387

**Los Angeles**  
Mission Viejo, CA  
Tel: 949-462-9523  
Fax: 949-462-9608

**San Jose**  
Mountain View, CA  
Tel: 650-215-1444  
Fax: 650-961-0286

**Toronto**  
Mississauga, Ontario,  
Canada  
Tel: 905-673-0699  
Fax: 905-673-6509

### ASIA/PACIFIC

**Australia - Sydney**  
Tel: 61-2-9868-6733  
Fax: 61-2-9868-6755

**China - Beijing**  
Tel: 86-10-8528-2100  
Fax: 86-10-8528-2104

**China - Chengdu**  
Tel: 86-28-8676-6200  
Fax: 86-28-8676-6599

**China - Fuzhou**  
Tel: 86-591-8750-3506  
Fax: 86-591-8750-3521

**China - Hong Kong SAR**  
Tel: 852-2401-1200  
Fax: 852-2401-3431

**China - Qingdao**  
Tel: 86-532-8502-7355  
Fax: 86-532-8502-7205

**China - Shanghai**  
Tel: 86-21-5407-5533  
Fax: 86-21-5407-5066

**China - Shenyang**  
Tel: 86-24-2334-2829  
Fax: 86-24-2334-2393

**China - Shenzhen**  
Tel: 86-755-8203-2660  
Fax: 86-755-8203-1760

**China - Shunde**  
Tel: 86-757-2839-5507  
Fax: 86-757-2839-5571

**China - Wuhan**  
Tel: 86-27-5980-5300  
Fax: 86-27-5980-5118

**China - Xian**  
Tel: 86-29-8833-7250  
Fax: 86-29-8833-7256

### ASIA/PACIFIC

**India - Bangalore**  
Tel: 91-80-4182-8400  
Fax: 91-80-4182-8422

**India - New Delhi**  
Tel: 91-11-5160-8631  
Fax: 91-11-5160-8632

**India - Pune**  
Tel: 91-20-2566-1512  
Fax: 91-20-2566-1513

**Japan - Yokohama**  
Tel: 81-45-471-6166  
Fax: 81-45-471-6122

**Korea - Gumi**  
Tel: 82-54-473-4301  
Fax: 82-54-473-4302

**Korea - Seoul**  
Tel: 82-2-554-7200  
Fax: 82-2-558-5932 or  
82-2-558-5934

**Malaysia - Penang**  
Tel: 60-4-646-8870  
Fax: 60-4-646-5086

**Philippines - Manila**  
Tel: 63-2-634-9065  
Fax: 63-2-634-9069

**Singapore**  
Tel: 65-6334-8870  
Fax: 65-6334-8850

**Taiwan - Hsin Chu**  
Tel: 886-3-572-9526  
Fax: 886-3-572-6459

**Taiwan - Kaohsiung**  
Tel: 886-7-536-4818  
Fax: 886-7-536-4803

**Taiwan - Taipei**  
Tel: 886-2-2500-6610  
Fax: 886-2-2508-0102

**Thailand - Bangkok**  
Tel: 66-2-694-1351  
Fax: 66-2-694-1350

### EUROPE

**Austria - Wels**  
Tel: 43-7242-2244-3910  
Fax: 43-7242-2244-393

**Denmark - Copenhagen**  
Tel: 45-4450-2828  
Fax: 45-4485-2829

**France - Paris**  
Tel: 33-1-69-53-63-20  
Fax: 33-1-69-30-90-79

**Germany - Munich**  
Tel: 49-89-627-144-0  
Fax: 49-89-627-144-44

**Italy - Milan**  
Tel: 39-0331-742611  
Fax: 39-0331-466781

**Netherlands - Drunen**  
Tel: 31-416-690399  
Fax: 31-416-690340

**Spain - Madrid**  
Tel: 34-91-708-08-90  
Fax: 34-91-708-08-91

**UK - Wokingham**  
Tel: 44-118-921-5869  
Fax: 44-118-921-5820

06/08/06