

DESCRIPTION: 15 POS HIGH DENSITY OVER (2) PS/2

SPECIFICATIONS:

ELECTRICAL CHARACTERISTICS:

Contact Current Rating: 3 Amperes
 Dielectric Withstanding Voltage: AC 1000V/60 sec. r.m.s.
 Insulation Resistance: 5000 Megohms Minimum DC 500
 Contact Resistance: 25 Milliohms Maximum
 Operating Temperature: -55° to +105°

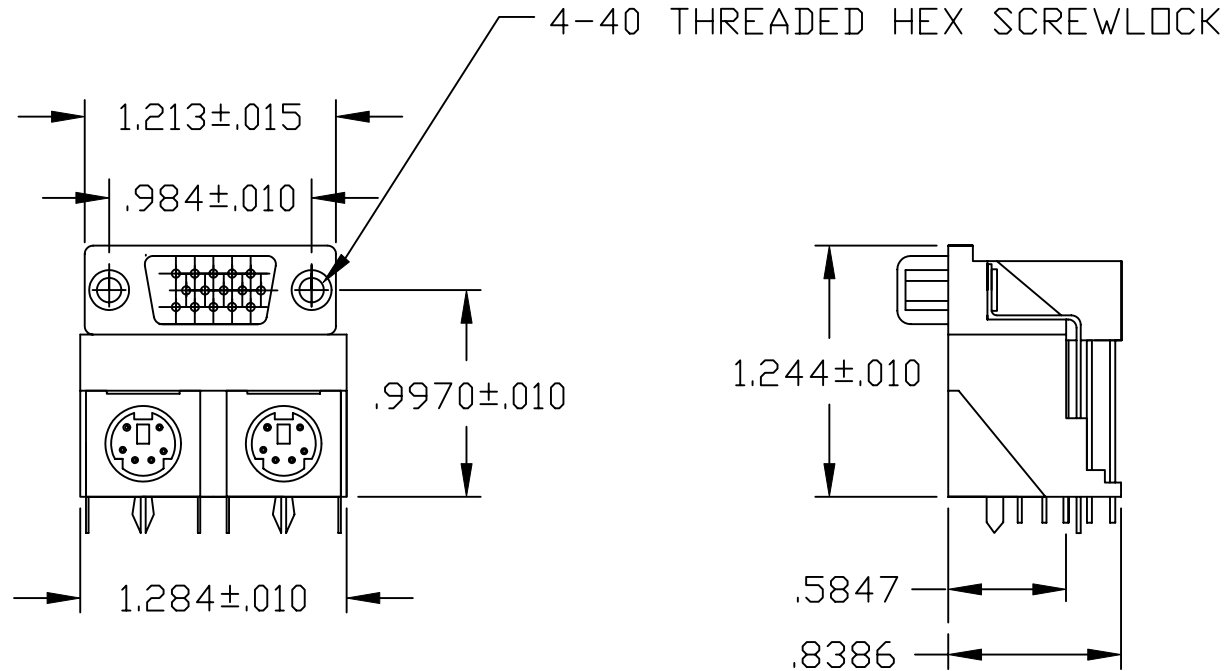
MATERIALS:


Contacts: Brass
 Insulator: NYLON 9T, UL 94V-0 - 260°C PROCESS TEMP.
 High Density D-sub = Blue
 Mini-Din = Left Port = Purple
 Right Port = Green

Shell: Cold Roll Steel

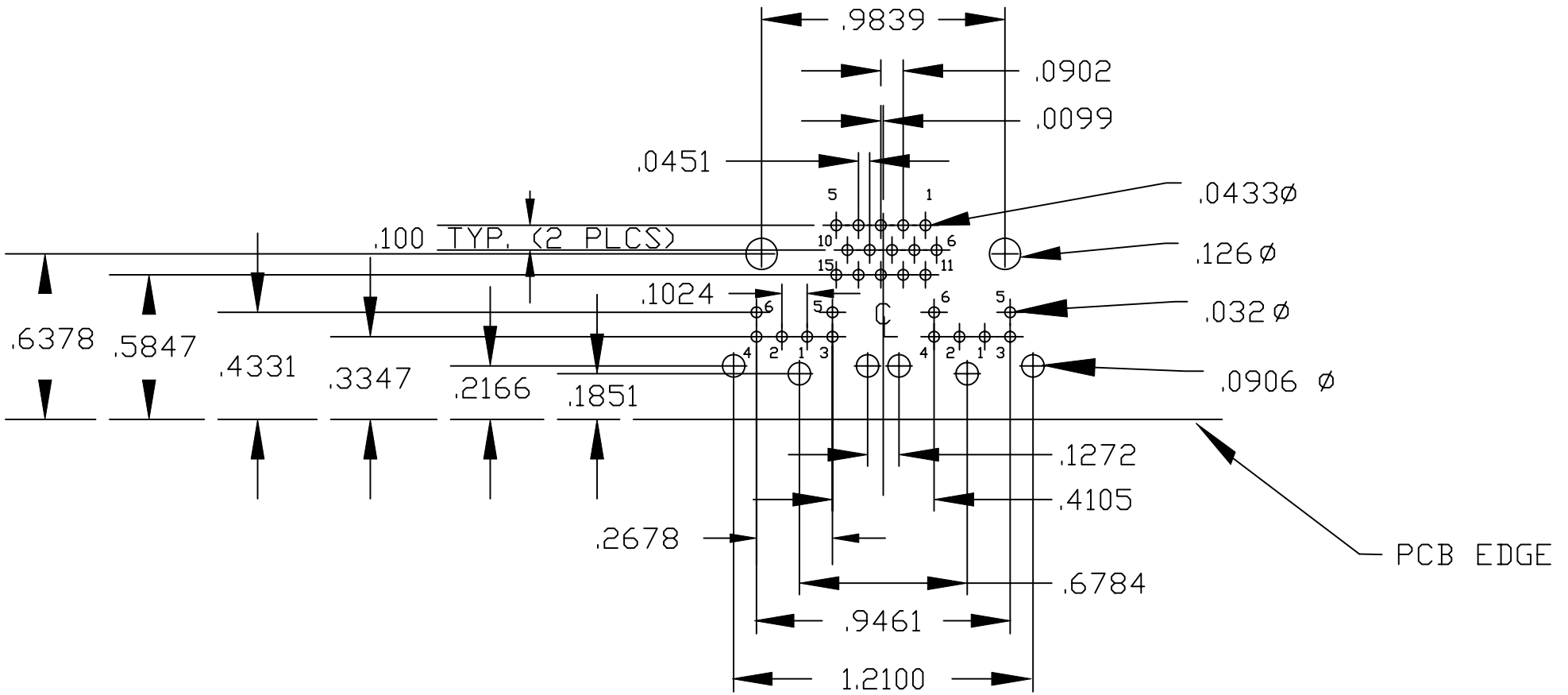
PLATINGS:

Contacts: Gold Flash
 Shells: Nickel Plated



	THESE DRAWINGS AND SPECIFICATIONS ARE THE PROPERTY OF NorComp AND SHALL NOT BE REPRODUCED, COPIED OR USED AS THE BASIS FOR THE MANUFACTURE OF SALE OF APPARATUS WITHOUT WRITTEN PERMISSION.		DRAWN: PAM JENKINS	DATE: 11-15-05
			CHECKED:	DATE:
<h1>NorComp</h1>		SCALE:	SHEET 1 OF 2	REV 1
		DWG NO. 999-H15-PS2R571		

DESCRIPTION: Footprint for High Rise PS/2



THESE DRAWINGS AND SPECIFICATIONS ARE THE PROPERTY OF NorComp AND SHALL NOT BE REPRODUCED, COPIED OR USED AS THE BASIS FOR THE MANUFACTURE OF SALE OF APPARATUS WITHOUT WRITTEN PERMISSION.

DRAWN:
PAM JENKINS

DATE:
11-15-05

CHECKED:

DATE:

NorComp

SCALE:

SHEET OF
2 **2**

REV
1

DWG NO.
999-H15-PS2R571