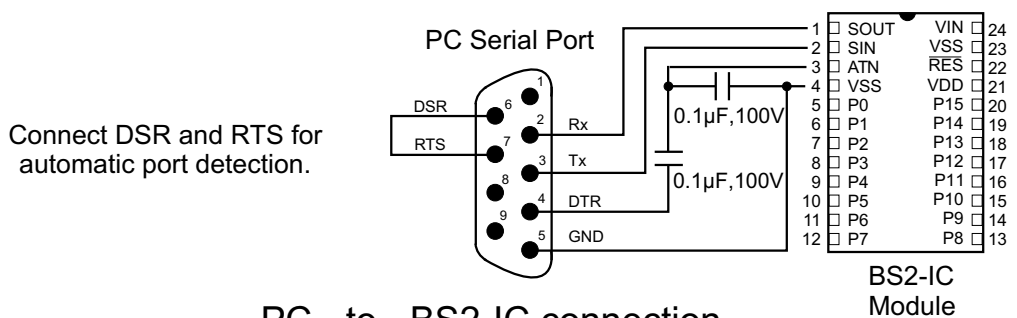
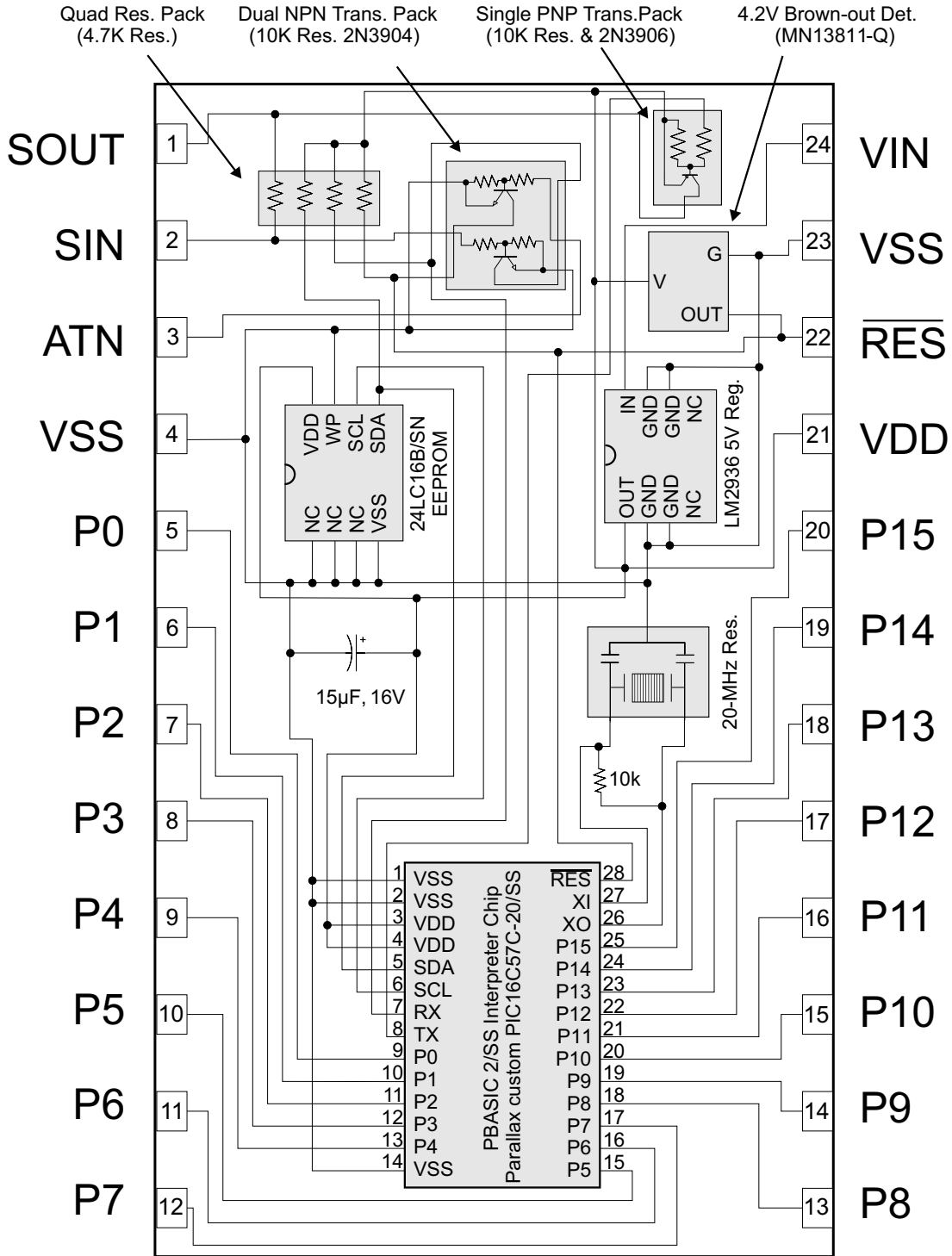


BS2-IC MODULE Rev. F



PC - to - BS2-IC connection