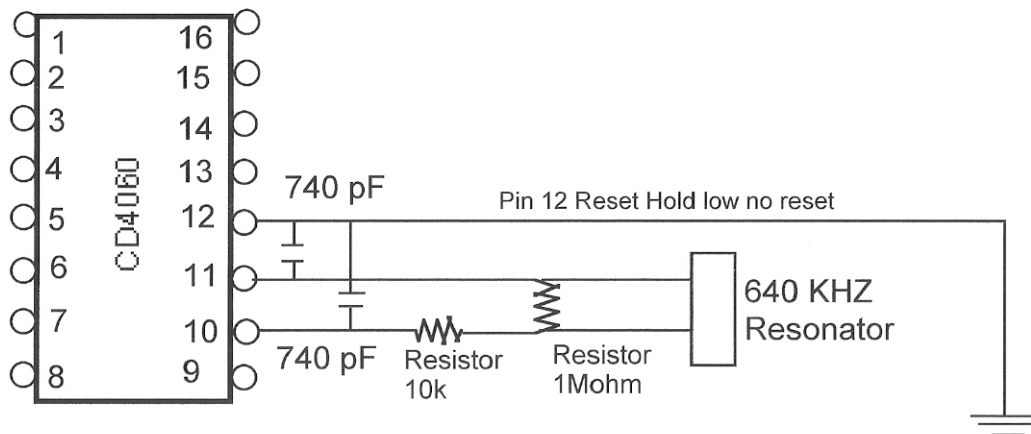


CD4060 Oscillator



	A	B
1	160hz	/ by 4000
2	80hz	/ by 8000
3	40hz	/ by 16000
4	10khz	/ by 64
5	20khz	/ by 32
6	5khz	/ by 128
7	40khz	/ by 16
8	GND	GND
9	NC	NC
10	Res	Res
11	Res	Res
12	GND	GND
13	125hz	/ by 5120
14	2.5khz	/ by 256
15	625hz	/ by 1024
16	VCC	VCC

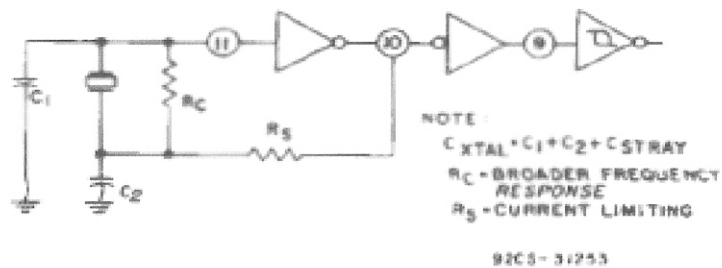


Fig. 13 - Typical crystal circuit.