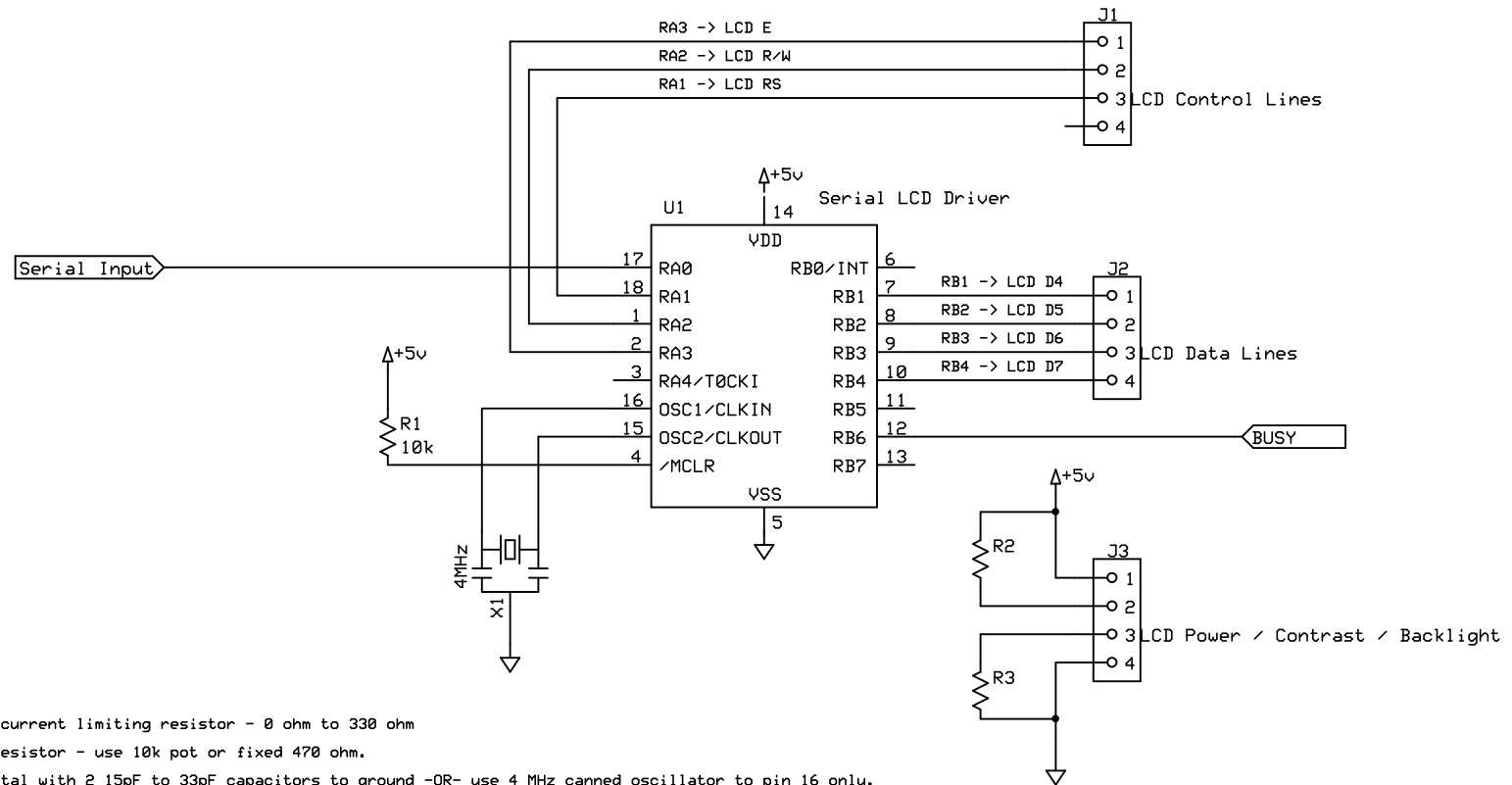


Serial LCD Driver

Ver 1.0



R2 - Backlight current limiting resistor - 0 ohm to 330 ohm

R3 - Contrast resistor - use 10k pot or fixed 470 ohm.

X1 - 4 MHz crystal with 2 15pF to 33pF capacitors to ground -OR- use 4 MHz canned oscillator to pin 16 only.

See LCD data sheet for data and control pinouts!

J1, J2 and J3 should be appropriate for your display and application

Serial Input line is 9600 baud TTL. RS-232 compatible with MAX232 or similar level converter.

Serial LCD Driver		
Chris Levin	Rev 1.1 3/24/2005	Page 1 of 1