

## 55M048D Series Stepper Motors



Standard Motor



Typical  
Modifications

## Thomson Airpax Mechatronics Motors



### OVERVIEW AND CAPABILITIES:

- Large selection of permanent magnet stepper motors – from 15mm to 60mm
- Step angle range from 1.8° to 18°
- Pioneers in stepping motors, A.C. synchronous motors, brushless DC motors, gear motors, and digital linear actuators
- Fast, powerful, precise positioning
- Customization to meet your application requirements

The specifications in this publication are believed to be accurate and reliable. However, it is the responsibility of the product user to determine the suitability of Thomson products for a specific application. While defective products will be replaced without charge if promptly returned, no liability is assumed beyond such replacement. ©2001 Thomson Industries, Inc. Printed in the U.S.A. MP 10K 1-24-01 KP 200004-12.qxd Lit 12-04-300-6501-1

For technical assistance or to place an order:

#### DIVISIONAL HEADQUARTERS

THOMSON AIRPAX MECHATRONICS LLC  
7 McKee Place  
Cheshire, CT 06410 USA  
E-mail: motorinfo@snet.net  
Phone: 1 (877) 9-AIRPAX (924-7729)  
Fax: 1 (877) 4-AIRPAX (424-7729)

#### EUROPE

THOMSON AIRPAX MECHATRONICS (UK) LIMITED  
9 Farnborough Business Centre  
Eelmoor Road, Farnborough  
Hants GU14 7XA, UK  
E-mail: info@tammail.com  
Phone: + (44) 1252-516051  
Fax: + (44) 1252 516058

#### ASIA

THOMSON AIRPAX MECHATRONICS PTE LTD.  
Block 3015A, Ubi Road 1  
#07-08 Kampong Ubi  
Industrial Estate  
Singapore 408705  
E-mail: airpax@tamsales.com.sg  
Phone: (65) 7474-888  
Fax: (65) 7435-686

#### CORPORATE HEADQUARTERS

THOMSON INDUSTRIES, INC.  
2 Channel Drive  
Port Washington, NY 11050 USA  
E-mail: litrequest@thomsonmail.com  
Phone: 1-800-554-THOMSON  
Fax: 1-800-445-0329  
Web: www.thomsonindustries.com

### Stepper Motor Features:

- 7.5° Step Angle (or 48 Steps per Revolution)
- 4.8 Watts Input Power per Winding
- Permanently Lubricated Sintered Bearings
- Available in Unipolar or Bipolar Construction
- Superior Torque Performance
- Excellent for Open-Loop Systems
- Widely Used Frame size in Various Industries

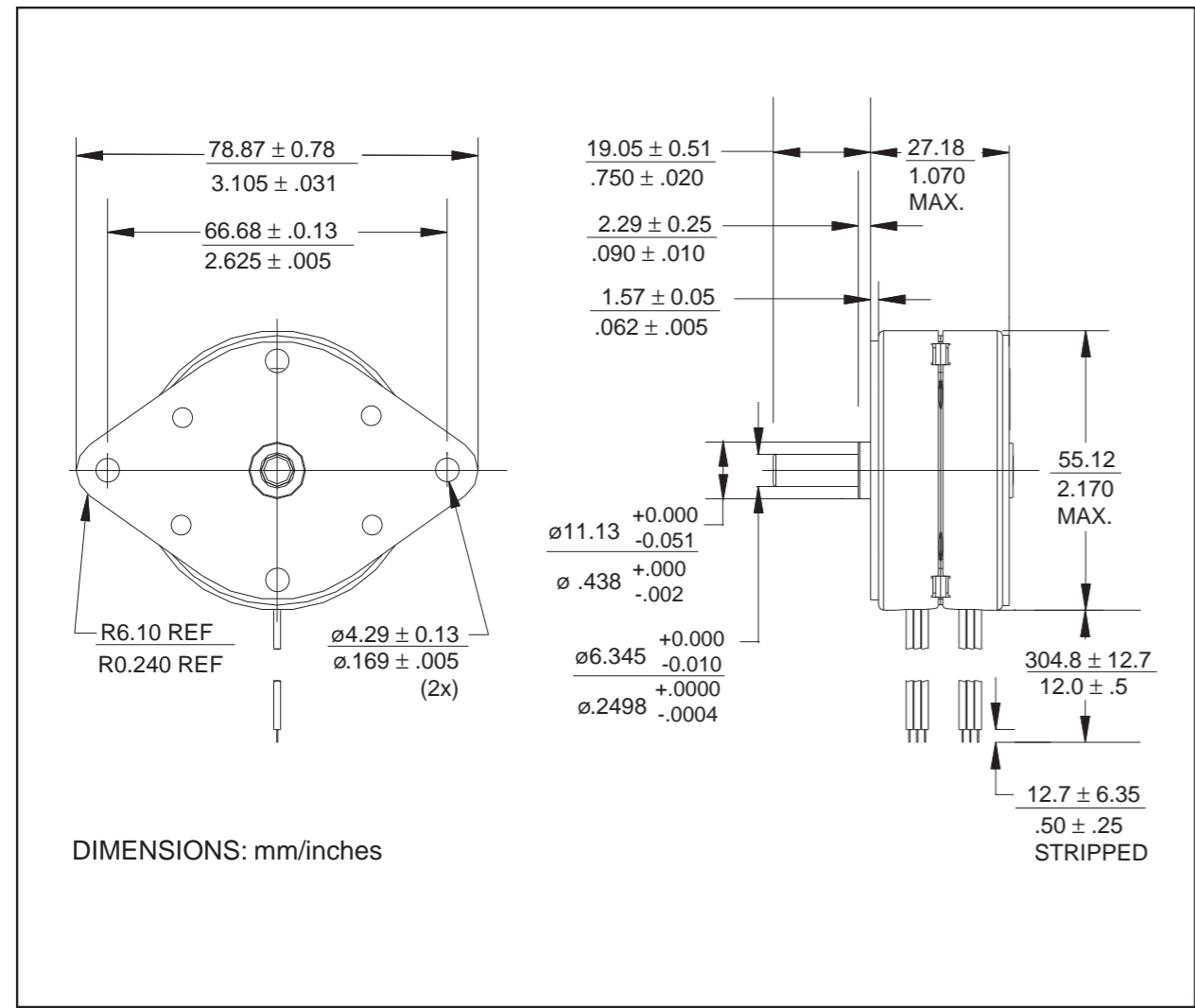
### Specifications

Part Number	UNIPOLAR		BIPOLAR	
	55M048D1U	55M048D2U	55M048D1B	55M048D2B
DC Operating Voltage (V)	5	12	5	12
Resistance per Winding (ohms) ±10%	5.2	30.0	5.2	30.0
Inductance per Winding (mH) ± 20%	4.7	31.1	9.6	62.7
Holding Torque* (min, mNm/oz-in)	180/25.5	198/28	236/33.5	247/35
Detent Torque (max, mNm/oz-in)	38.8/5.5			
Step Angle*	7.5° ± .5°			
Steps per Revolution	48 Steps			
Rotor, Moment of Inertia (gm²)	5.56 x 10 <sup>-3</sup>			
Insulation Resistance at 500 Vdc	100 megohms, min.			
Lead Wire Type	AWG #26, UL1430 (105°C, 300V)			
Bearing Type	Sintered Bronze Sleeve			
Max Operating Temperature	100°C			
Ambient Temperature Range	OPERATION: -0°C TO 60°C STORAGE: -40°C TO 85°C			
Dielectric Strength	650 ±50 Vrms, 50 Hz, for 1 to 2 seconds			
Weight (g/oz)	270/9.5			

\*Measured with Two Phases Energized

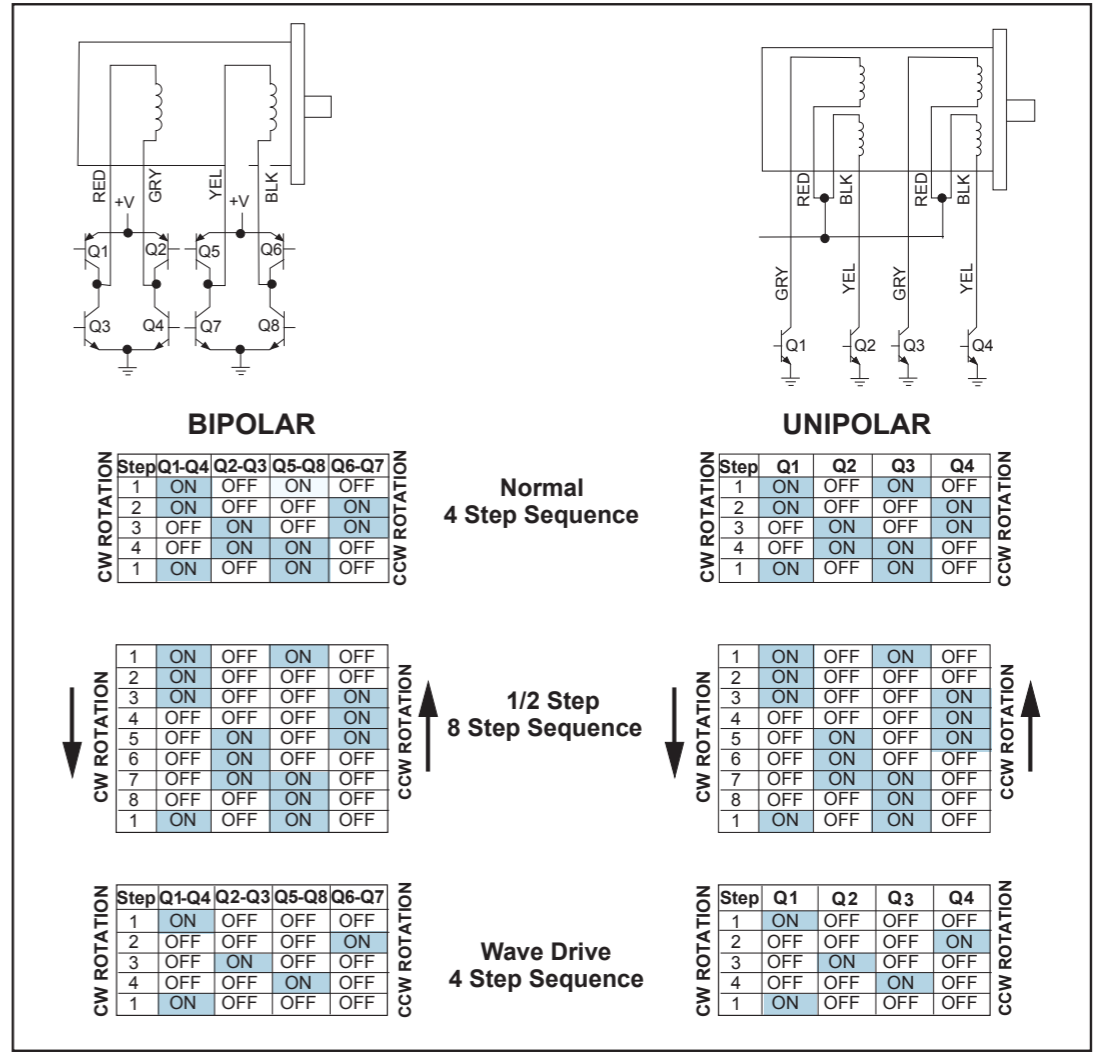
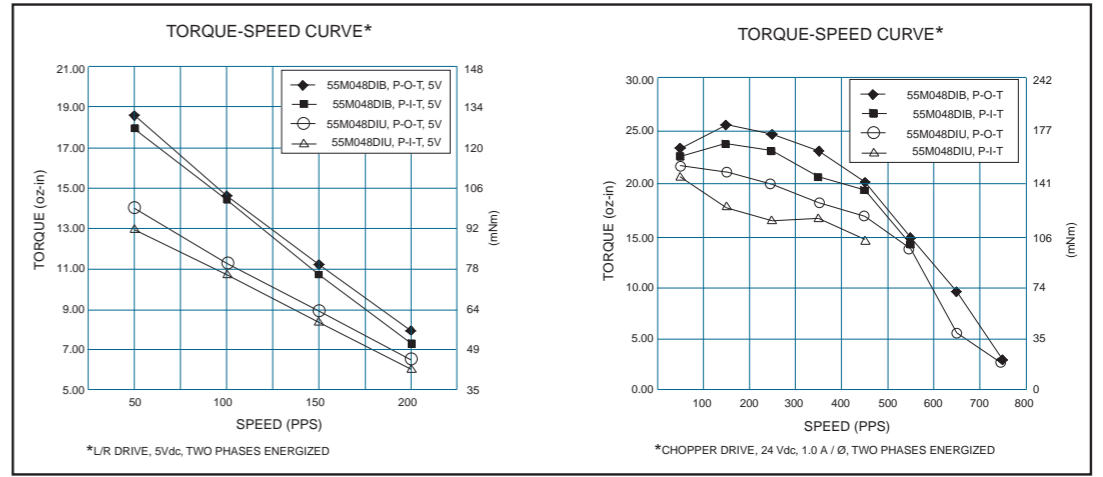
Overall Dimensions

Series 55M048D Stepper Motors



The above outline drawing represents standard construction as illustrated in photo on cover. Modifications to this design are possible to better satisfy specific application needs. They include, but are not limited to, changes of output shaft and mounting plate dimensions, lead egress position, bearing system, electrical windings, as well as adding transmission devices (mounted pinion or pulley) and connecting system (terminals and housing). Photos on cover show two typical modifications. Contact a THOMSON AIRPAX MECHATRONICS technical specialist to discuss your application.

It is the responsibility of the product user to determine the suitability of Thomson components for a specific application. Defective products will be replaced without charge if promptly returned. No liability will be assumed beyond such replacement.



Schematic Bipolar and Unipolar Switching Sequence. Direction of Rotation Viewed from Shaft End.



It is the responsibility of the product user to determine the suitability of Thomson components for a specific application. Defective products will be replaced without charge if promptly returned. No liability will be assumed beyond such replacement.