

5

4

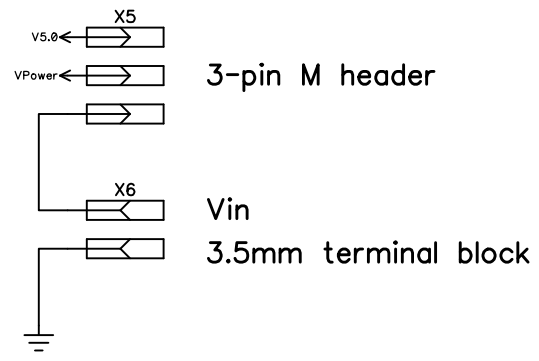
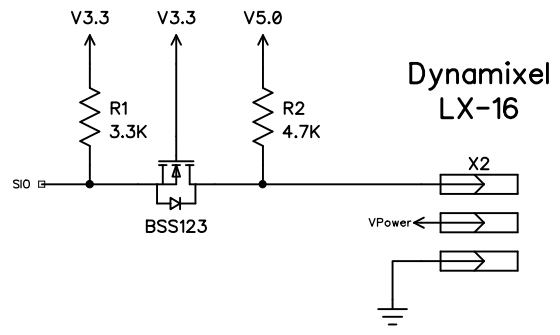
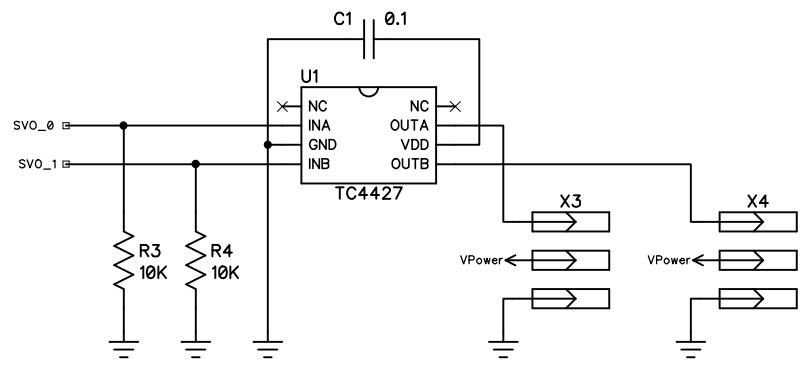
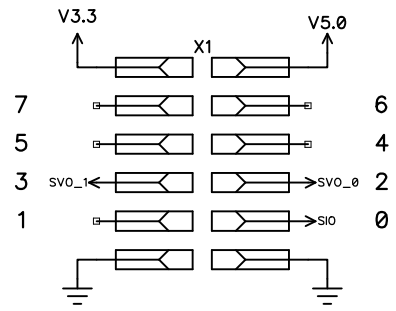
3

2

1

D

D



C

C

B

B

A

A

5

4

3

2

1

ELTE Actuator P2 Accessory		
Size	Filename	Rev
A	actuators.dch	A
Drawn by JM		Date: 27 MAR 23
Checked by		Sheet 1 of 1