

power supply configuration

MODE - Z/H: (default) high-efficiency burst mode
 L: continuous synchronous mode
 F: sync with external frequency

FREQ - Z: (default) 1 Mhz sync frequency
 R: resistor to GND for custom frequency

P2 and peripherals configuration

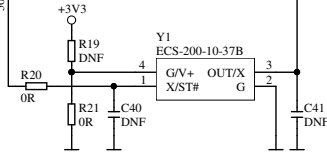
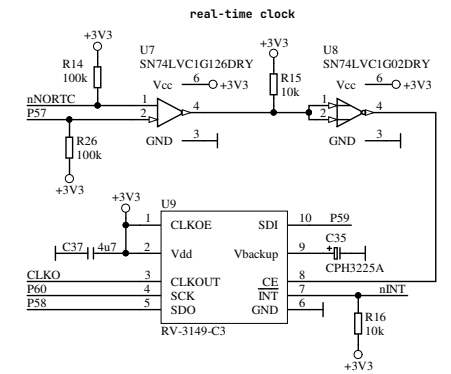
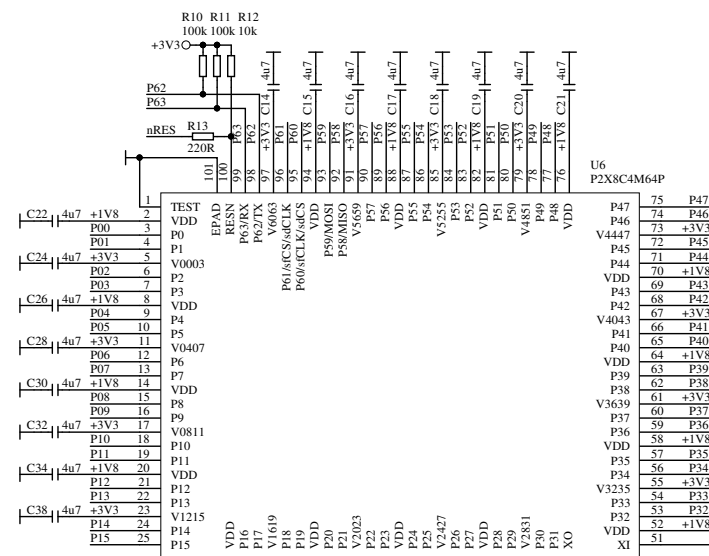
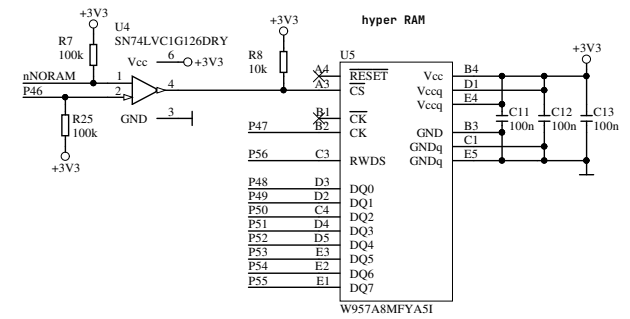
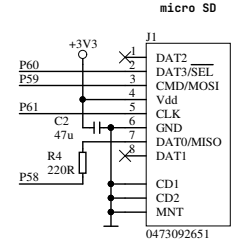
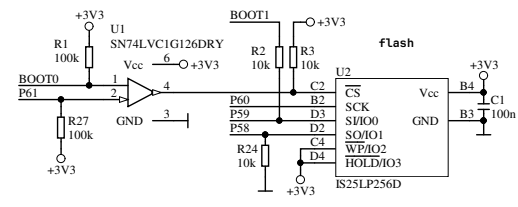
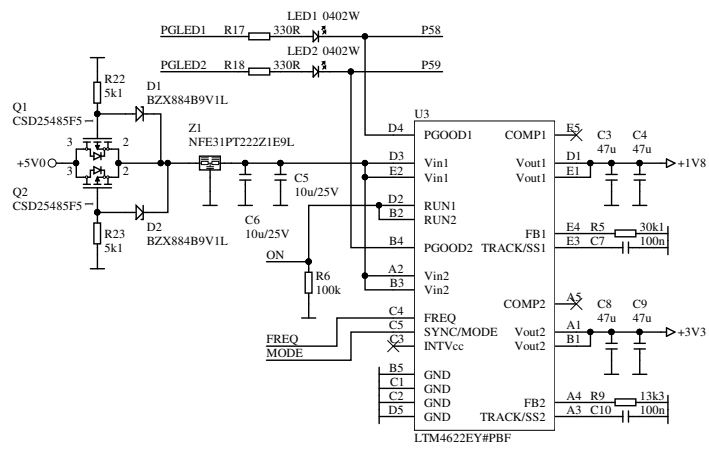
BOOT1 800T8
 Z Z/H: (default) boot from serial; else boot from flash; else program from serial
 L Z/H: boot from flash; else shutdown
 H *: only program from serial

Z L: boot from USD; else program from serial
 L L: boot from USD; else shutdown

nNORAM - Z/H: (default) enable HyperRAM on P46-P56
 L: disable HyperRAM

nNORTC - Z/H: (default) enable Real-Time clock on P57-P60
 L: disable Real-Time clock

- package pins
- 1 MODE
 - 2 PGLLED1
 - 3 PGLLED2
 - 4 BOOT0
 - 5 BOOT1
 - 6 nNORAM
 - 7 nNORTC
 - 8 CLKO
 - 9 nNT
 - 10 P00
 - 11 P01
 - 12 P02
 - 13 P03
 - 14 P04
 - 15 P05
 - 16 P06
 - 17 P07
 - 18 P08
 - 19 P09
 - 20 P10
 - 21 P11
 - 22 P12
 - 23 P13
 - 24 P14
 - 25 P15
 - 26 P16
 - 27 P17
 - 28 P18
 - 29 P19
 - 30 P20
 - 31 P21
 - 32 P22
 - 33 P23
 - 34 P24
 - 35 P25
 - 36 P26
 - 37 P27
 - 38 P28
 - 39 P29
 - 40 P30
 - 41 P31
 - 42 P32
 - 43 P33
 - 44 P34
 - 45 P35
 - 46 P36
 - 47 P37
 - 48 P38
 - 49 P39
 - 50 P40
 - 51 P41
 - 52 P42
 - 53 P43
 - 54 P44
 - 55 P45
 - 56 P46
 - 57 P47
 - 58 P48
 - 59 P49
 - 60 P50
 - 61 P51
 - 62 P52
 - 63 P53
 - 64 P54
 - 65 P55
 - 66 P56
 - 67 P57
 - 68 P58
 - 69 P59
 - 70 P60
 - 71 P61
 - 72 P62
 - 73 P63
 - 74 P64
 - 75 P65
 - 76 nRES
 - 77 +3V3
 - 78 +1V8
 - 79 +5V0
 - 80 ON
 - 81
 - 82
 - 83
 - 84



Clock options

R19 DNF, R20 0R, R21 0R : crystal
 R19 0R, R20 DNF, R21 C100n : oscillator