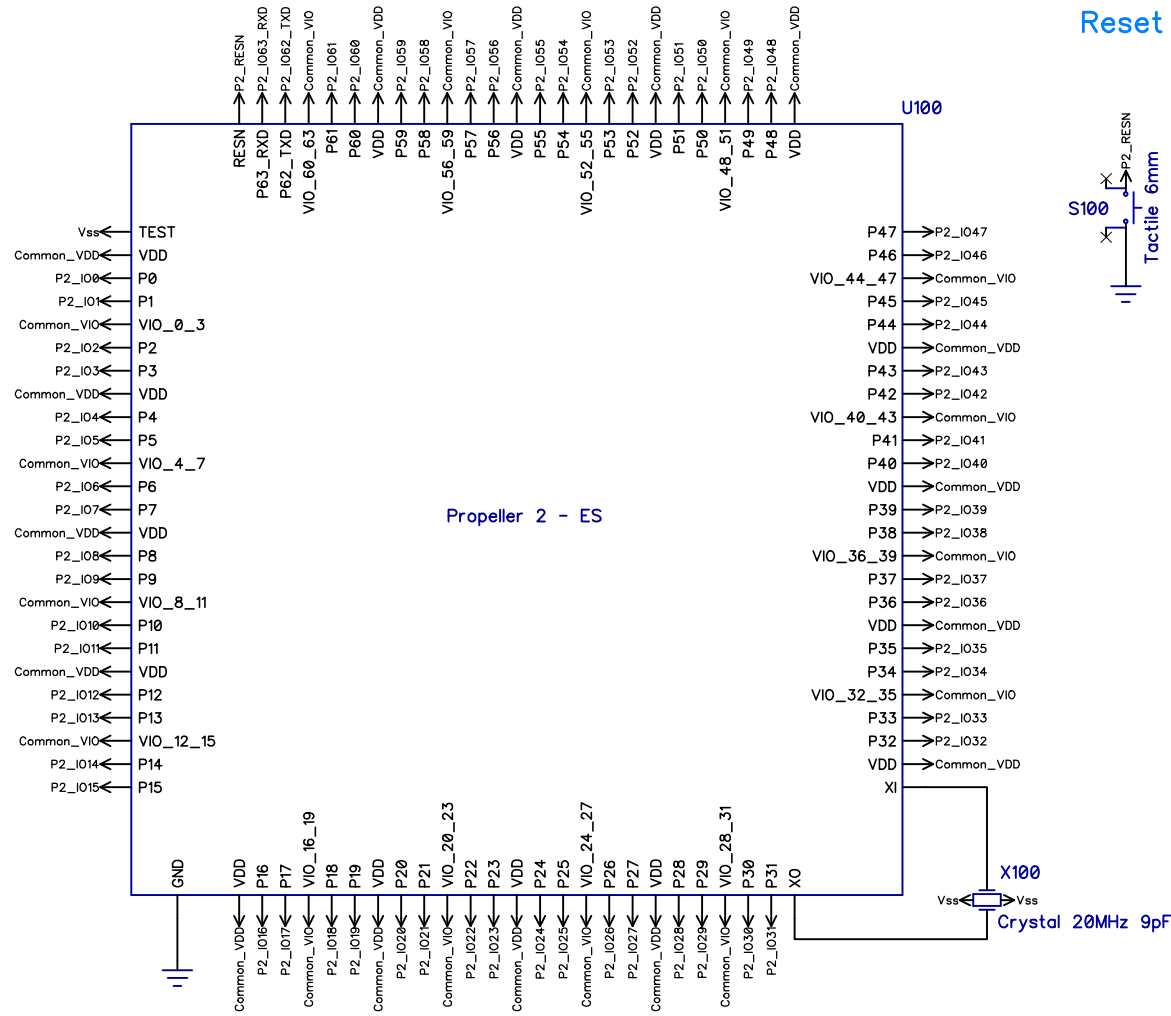
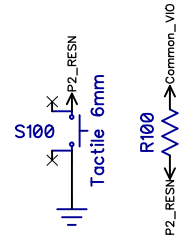


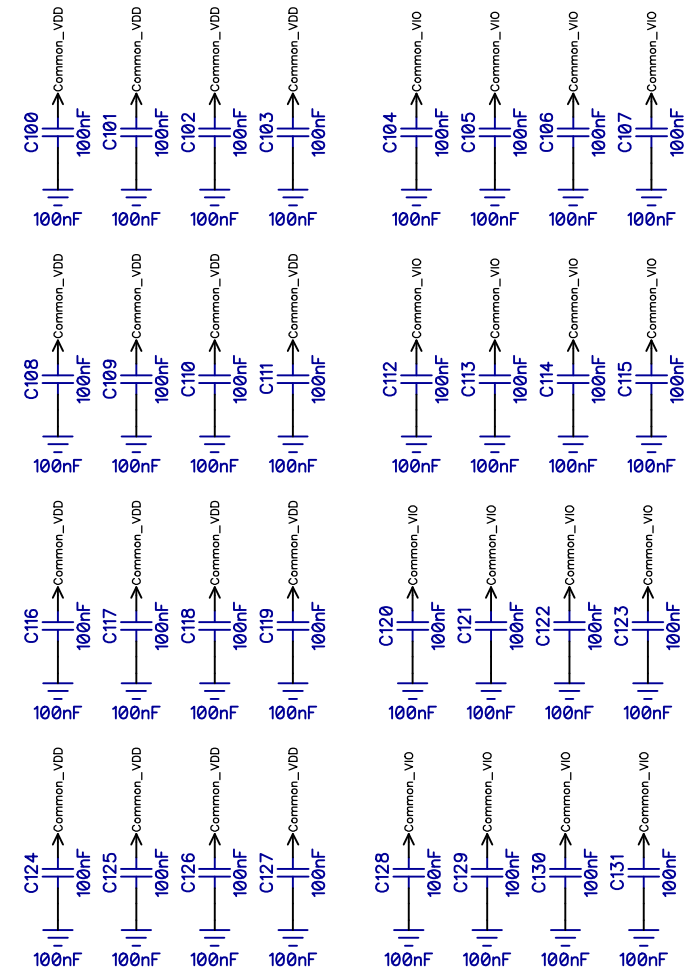
Microcontroller



Reset Switch



VDD and VIO local decoupling



Propeller 2 GND pad is under the chip! Refer to the P2X8C4M64P documentation for dimensions and further information.
Propeller 2 Rev B Documentation @ propeller.parallax.com

Place decoupling capacitor close to each VIO and VDD pin
Minimum two per side, in the case of a common voltage bus

Parallax Inc.
599 Menlo Drive
Rocklin, CA 95765

(916) 624-8333
<http://www.parallax.com/>

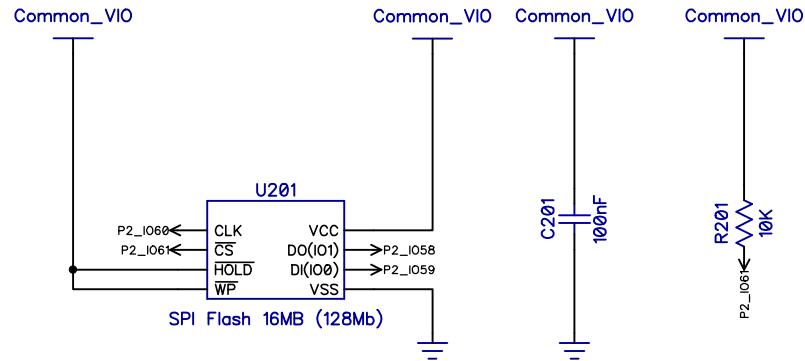
Parallax P2X8C4M64P - Getting Started Schematic

Part Number:
Revision: A

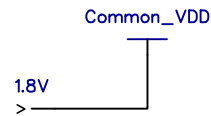
Copyright 2019 Parallax Incorporated. All Rights Reserved.

Last Update: 11 Dec 2019 (MM)

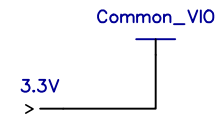
SPI Flash Memory



VDD Power Supply - Nominal 1.8V 2.5A
DO NOT EXCEED 2.2V OR RISK PERMANENT DAMAGE!



VIO Power Supply - Nominal 3.3V 2.5A
DO NOT EXCEED 4.0V OR RISK PERMANENT DAMAGE!



Parallax Inc.
599 Menlo Drive
Rocklin, CA 95765

(916) 624-8333
<http://www.parallax.com/>

Parallax P2X8C4M64P - Getting Started Schematic

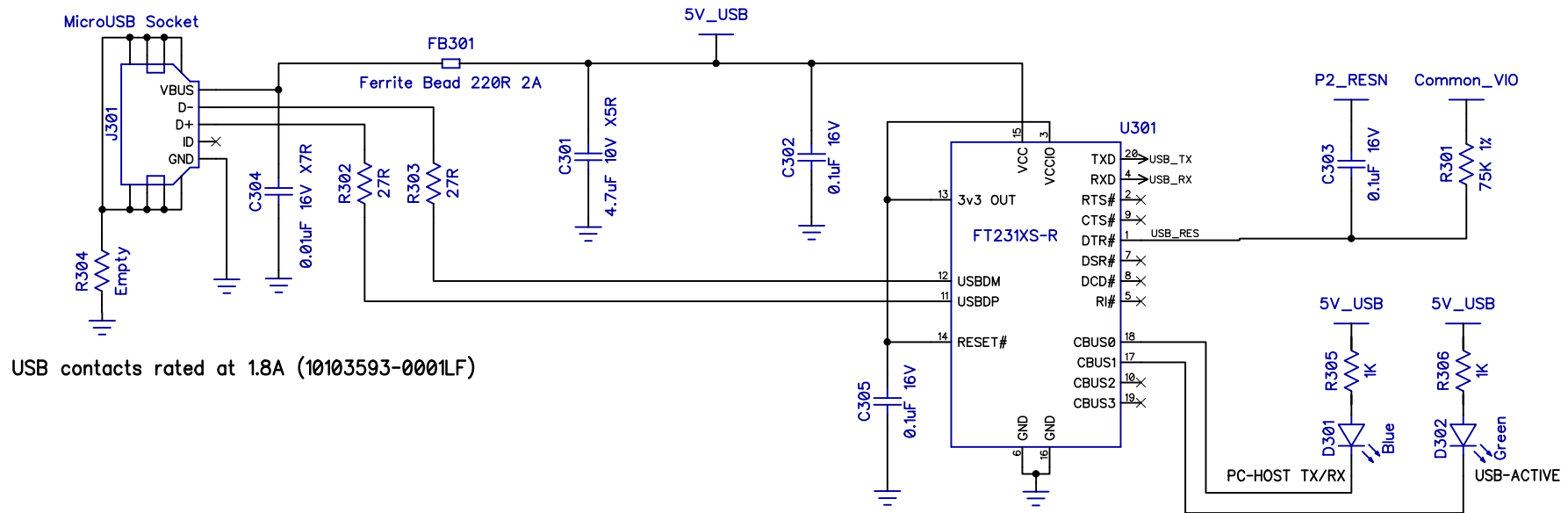
Copyright 2019 Parallax Incorporated. All Rights Reserved.

Part Number:
Revision: A

Last Update: 11 Dec 2019 (MM)

Optional USB Socket

Optional USB interface for power and serial data

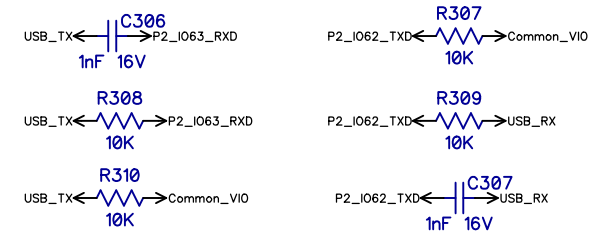


USB contacts rated at 1.8A (10103593-0001LF)

FTDI Configuration

- CBUS0 = TX&RXLED
- CBUS1 = PWREN#
- CBUS2 = Drive 0
- CBUS3 = Drive 0

USB Config / MaxPower = 500mA



Pull-up serial bus to prevent floating-state terminal chars
 Include series to prevent parasitic power in either direction
 Add small caps for high-speed serial. (PASS > 3MBaud)

Note: For programming the P2, could use a PropPlug connected to P2_I062_TXD, P2_I063_RXD and P2_RESn instead of having a dedicated FTDI USB interface on the pcb

Parallax Inc.
 599 Menlo Drive
 Rocklin, CA 95765

(916) 624-8333
<http://www.parallax.com/>

Parallax P2X8C4M64P - Getting Started Schematic

Copyright 2019 Parallax Incorporated. All Rights Reserved.

Part Number:
 Revision: A

Last Update: 11 Dec 2019 (MM)