

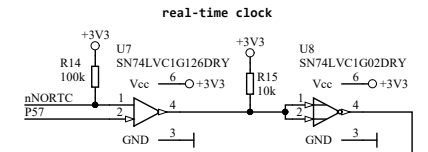
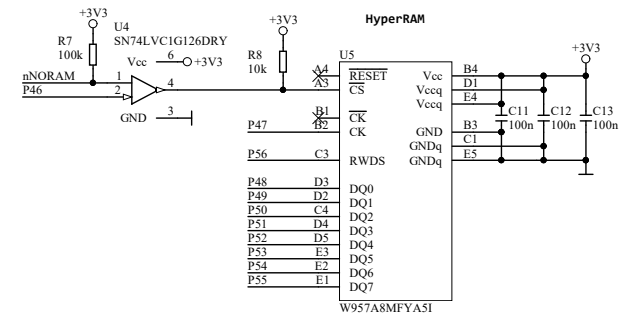
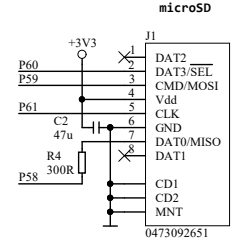
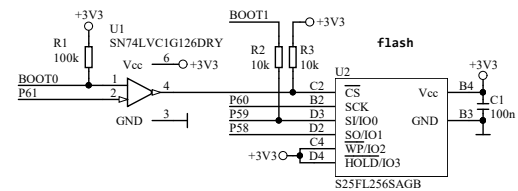
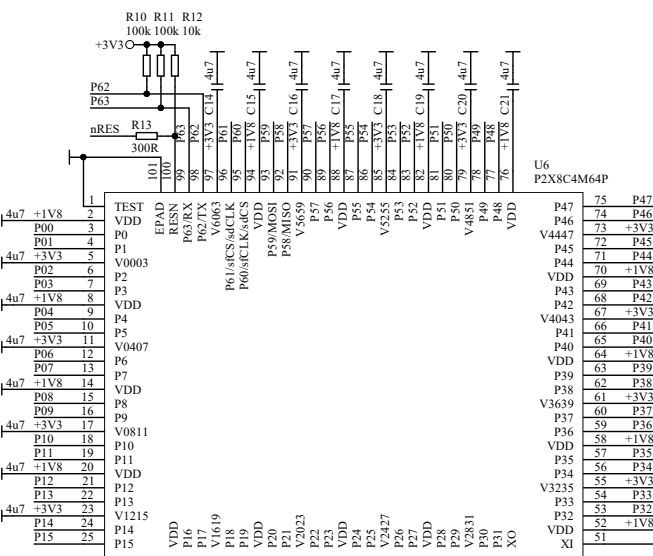
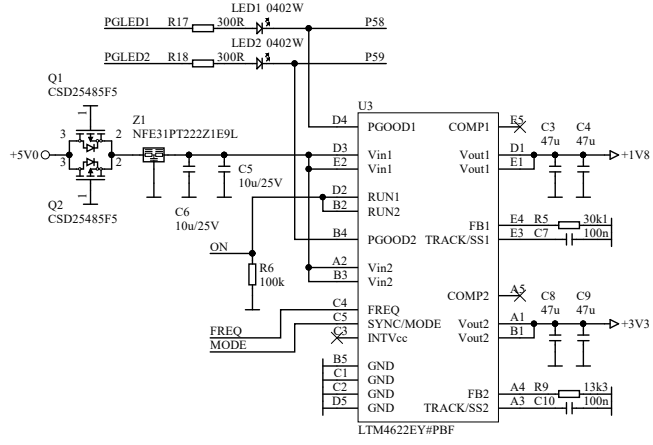
power supply configuration

MODE - Z/H: (default) high-efficiency burst mode
L: continuous synchronous mode
F: sync with external frequency
FREQ - Z: (default) 1 MHz sync frequency
R: resistor to GND for custom frequency

P2 and peripherals configuration

BOOT0 - Z/H: (default) enable boot from FLASH
L: enable boot from uSD
BOOT1 - Z: (default) boot from SERIAL or FLASH/uSD
H: boot from SERIAL only
L: boot from FLASH/uSD only
nNORAM - Z/H: (default) enable HyperRAM on P46-P56
L: disable HyperRAM
nNORTC - Z/H: (default) enable Real-Time clock on P57-P60
L: disable Real-Time clock

- package pins
1 MODE
2 FREQ
3 PGLLED1
4 PGLLED2
5 BOOT0
6 BOOT1
7 nNORAM
8 nNORTC
9 CLKO
10 nNT
11 P00
12 P01
13 P02
14 P03
15 P04
16 P05
17 P06
18 P07
19 P08
20 P09
21 P10
22 P11
23 P12
24 P13
25 P14
26 P15
27 P16
28 P17
29 P18
30 P19
31 P20
32 P21
33 P22
34 P23
35 P24
36 P25
37 P26
38 P27
39 P28
40 P29
41 P30
42 P31
43 P32
44 P33
45 P34
46 P35
47 P36
48 P37
49 P38
50 P39
51 P40
52 P41
53 P42
54 P43
55 P44
56 P45
57 P46
58 P47
59 P48
60 P49
61 P50
62 P51
63 P52
64 P53
65 P54
66 P55
67 P56
68 P57
69 P58
70 P59
71 P60
72 P61
73 P62
74 P63
75 P64
76 nRES
77
78 +3V3
79 +1V8
80 ON
81
82
83 +5V0
84 +5V0



Clock options
R19 DNF, R20 0R, R21 0R : crystal
R19 0R, R20 DNF, R21 C100n : oscilLator