

S13774

## High-speed readout (100 klines/s)

The S13774 is a CMOS linear image sensor developed for industrial cameras that require high-speed scanning. The column-parallel readout system, which has a readout amplifier and an A/D converter for each pixel, allows high-speed readout. For the A/D converter resolution, either 10-bit (high-speed mode: 100 klines/s max.) or 12-bit (low-speed mode: 25 klines/s max.) can be selected. Video signal is output serially in 180 MHz LVDS format.

### Features

- Pixel size: 7 × 7 μm
- Number of pixels: 4096
- High-speed readout: 100 klines/s
- Simultaneous integration of all pixels
- 3.3 V power supply operation
- SPI communication function
- Built-in 10-bit/12-bit A/D converters

### Applications

- Machine vision
- Film inspection
- Printed circuit board appearance inspection
- Print inspection

### Structure

Parameter	Specification	Unit
Number of pixels	4096	-
Pixel pitch	7	μm
Pixel height	7	μm
Effective photosensitive area length	28.672	mm
Package	Ceramic	-
Window material*1	Borosilicate glass	-

\*1: AR coated (1% or less reflectance at 400 to 800 nm)

### Absolute maximum ratings (Ta=25 °C)

Parameter	Symbol	Condition	Value	Unit
Supply voltage	Analog terminal	Vdd(A)	-0.3 to +3.9	V
	Digital terminal	Vdd(D)	-0.3 to +3.9	V
	Counter terminal	Vdd(C)	-0.3 to +3.9	V
Digital input signal terminal voltage*2	Vi		-0.3 to +3.9	V
Vref_cp1 terminal voltage	Vref_cp1		-0.3 to +6.5	V
Vref_cp2 terminal voltage	Vref_cp2		-2.0 to +0.3	V
Operating temperature	Topr	No dew condensation*3	-5 to +70	°C
Storage temperature	Tstg	No dew condensation*3	-10 to +70	°C

\*2: CS, SCLK, MOSI, RSTB, MCLK, MST, All-reset, PII-reset

\*3: When there is a temperature difference between a product and the surrounding area in high humidity environment, dew condensation may occur on the product surface. Dew condensation on the product may cause deterioration in characteristics and reliability.

Note: Exceeding the absolute maximum ratings even momentarily may cause a drop in product quality. Always be sure to use the product within the absolute maximum ratings.

■ Recommended operating conditions (Ta=25 °C)

Parameter	Symbol	Min.	Typ.	Max.	Unit	
Supply voltage	Analog terminal	Vdd(A)	3.15	3.3	3.45	V
	Digital terminal	Vdd(D)	3.15	3.3	3.45	
	Counter terminal	Vdd(C)	3.15	3.3	3.45	
Digital input voltage	High level	Vi(H)	3	Vdd(D)	Vdd(D) + 0.25	V
	Low level	Vi(L)	0	-	0.3	

■ Electrical characteristics

Digital input signal

[Ta=25 °C, Vdd(A)=Vdd(D)=Vdd(C)=3.3 V]

Parameter	Symbol	Min.	Typ.	Max.	Unit	
Master clock pulse frequency	f(MCLK)	29	30	31	MHz	
Master clock pulse duty cycle	D(MCLK)	45	50	55	%	
Master start pulse interval*4	t <sub>pi</sub> (MST)	High-speed mode	300/f(MCLK)	-	-	s
		Low-speed mode	1200/f(MCLK)	-	-	
Master start pulse High period*4	t <sub>hp</sub> (MST)	High-speed mode	166/f(MCLK)	-	-	s
		Low-speed mode	664/f(MCLK)	-	-	
Master start pulse Low period*4	t <sub>lp</sub> (MST)	High-speed mode	2/f(MCLK)	-	-	s
		Low-speed mode	8/f(MCLK)	-	-	
Master clock - Master start delay time	t <sub>CSD</sub>	-	-	5	ns	
Master clock - Reset delay time*5	t <sub>CRD</sub>	-	-	5	ns	
Rise time*6	t <sub>r</sub> (sigi)	-	5	7	ns	
Fall time*6	t <sub>f</sub> (sigi)	-	5	7	ns	

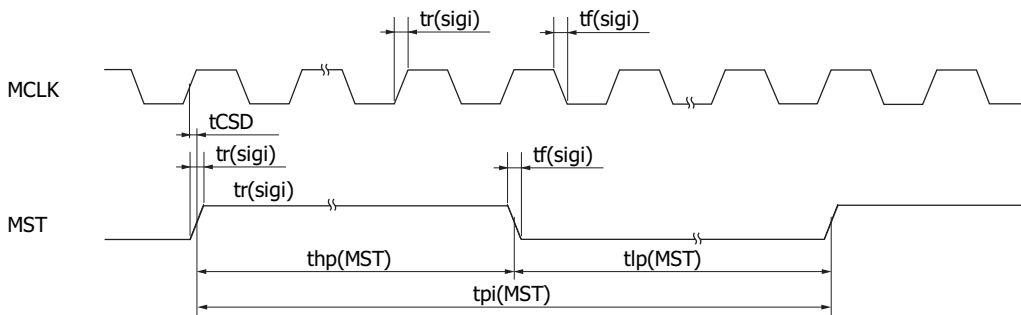
\*4: The maximum line rate is 100 klines/s in high-speed mode. Line rate is 100 klines/s when t<sub>pi</sub>(MST) = 300/f(MCLK).

The maximum line rate is 25 klines/s in low-speed mode. Line rate is 25 klines/s when t<sub>pi</sub>(MST) = 1200/f(MCLK).

\*5: Delay time for the rising edge of MCLK and those of PLL\_Reset and All\_Reset

\*6: Time for the input voltage to rise or fall between 10% and 90%

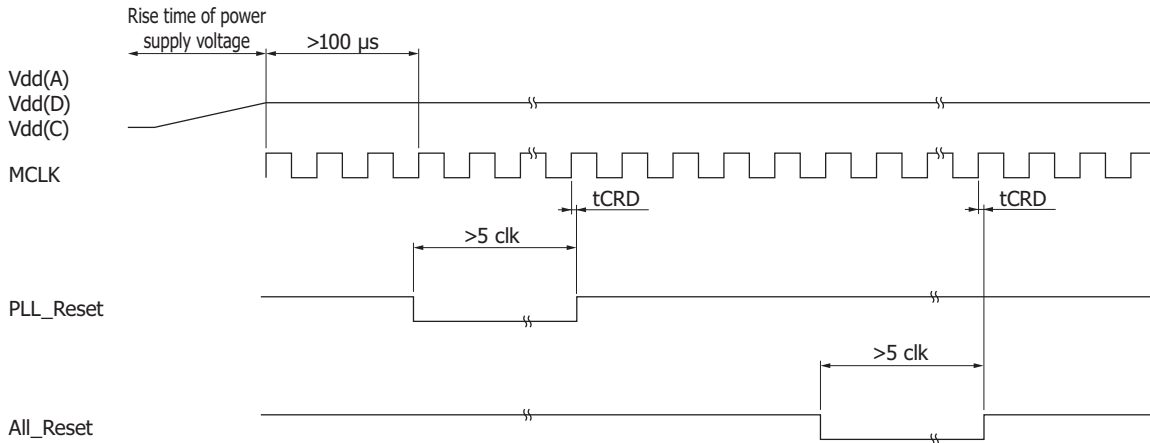
■ MCLK and MST input timings



KMPDC0677EA

■ PLL\_Reset, All\_Reset input timing

After 100 μs of turning on the power, set PLL\_Reset to low level for at least 5 master clock cycles and then do the same for All\_Reset.



KMPDC0663EB

Digital output signal

[Ta=25 °C, Vdd(A)=Vdd(D)=Vdd(C)=3.3 V, f(MCLK)=30 MHz]

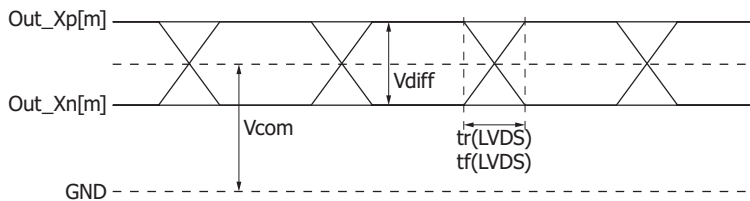
Parameter	Symbol	Min.	Typ.	Max.	Unit
Video data rate (LVDS)	DR	f(MCLK)×6			MHz
Line rate	High-speed mode	-	-	100	klines/s
	Low-speed mode	-	-	25	
LVDS output voltage*7	Offset	1.13	1.25	1.38	V
	Differential	0.25	0.35	0.45	
LVDS rise time*8	tr(LVDS)	-	0.9	1.3	ns
LVDS fall time*8	tf(LVDS)	-	0.9	1.3	ns
Pclk – OutX[m] period	tPDD	-	-	3	ns
Pclk – CTR period	tPDC	-	-	3	ns
Pclk – Sync period	Rise time	-	-	3	ns
	Fall time	-	-	3	
CMOS output voltage	High	Vdd(D)-0.25	Vdd(D)	-	V
	Low	-	0	0.25	
Clock pulse frequency of timing generator	High-speed mode	-	f(MCLK)	-	MHz
	Low-speed mode	-	f(MCLK)/4	-	
CMOS output rise time*9	tr(sigo)	-	10	12	ns
CMOS output fall time*9	tf(sigo)	-	10	12	ns

\*7: Attach a 100 Ω terminator to the LVDS output terminal.

\*8: Time for the output voltage to rise or fall between 10% and 90% when there is a 2 pF load capacitor attached to the output terminal

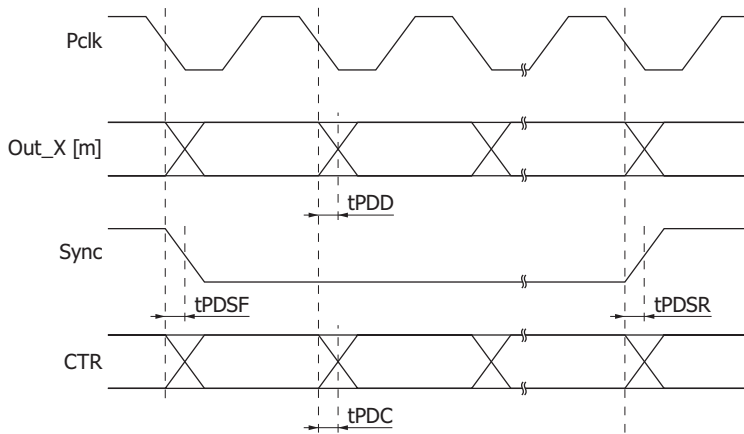
\*9: Time for the output voltage to rise or fall between 10% and 90% when there is a 10 pF load capacitor attached to the output terminal

■ LVDS output voltage, rise and fall time



KMPDC0658EB

■ Output timing of video output and Sync signal



KMPDC0659EB

- Each waveform represents the difference between the LVDS positive signal and negative signal.
- Out\_X[m] is video output.  
X: A to P (port), m: 0=lower bit, 1=higher bit
- Video output should be acquired at the rising timing of pclk.
- Video output starts after the rising of Sync. Sync can be used as reference of data acquisition [refer to Timing chart (P.8)].
- On the rising edge of CTR, the lower bits are output from D0 and the higher bits from D6. CTR can be used as reference of data acquisition [refer to Timing chart (P.9)].

Current consumption

[Ta=25 °C, Vdd(A)=Vdd(D)=Vdd(C)=3.3 V, f(MCLK)=30 MHz, LR=100 klines/s]

Parameter	Symbol	Min.	Typ.	Max.	Unit
Vdd(A) terminal*10	Ic1	80	140	200	mA
Vdd(D) terminal*10	Ic2	220	400	530	
Vdd(C) terminal*10	Ic3	510	810	1110	

\*10: Apply saturation exposure light.

**Electrical characteristics of A/D converter [Ta=25 °C, Vdd(A)=Vdd(D)=Vdd(C)=3.3 V, f(MCLK)=30 MHz]**

Parameter		Symbol	Specification	Unit
Resolution	High-speed mode	RESO	10 <sup>*11</sup>	bit
	Low-speed mode		12	
Conversion voltage range		-	0 to 1.3	V

\*11: Equivalent to 10-bit. From offset output to saturated output is approximately 1024 DN.

**Electrical and optical characteristics [Ta=25 °C, Vdd(A)=Vdd(D)=Vdd(C)=3.3 V, f(MCLK)=30 MHz, gain: default value, offset: default value, tpi(MST)=10 μs (high-speed mode), 40 μs (low-speed mode)]**

## Common to all modes

Parameter		Symbol	Min.	Typ.	Max.	Unit
Spectral response range		$\lambda$	400 to 1000			nm
Peak sensitivity wavelength		$\lambda_p$	-	700	-	nm
Photoresponse nonuniformity <sup>*12</sup>	Gain=1	PRNU	-	±5	±10	%
	Gain=8		-	±5	±10	
Image lag <sup>*13</sup>		Gain=1	Lag	-	0.1	%
Saturation charge		Qsat	29	30	-	ke <sup>-</sup>
SNR max.	Gain=1	-	43	45	-	dB
	Gain=8		32	35	-	

\*12: The output uniformity when a uniform light with a light exposure that is approximately 50% of saturation output is applied. It is defined as follows for the 4090 pixels excluding the 3 pixels at each end of the sensor.

$$\text{PRNU} = (\Delta X/X) \times 100 [\%]$$

\*13: The signal component of the previous data that remains after data is read out under saturation output conditions. Image lag increases if light greater than the saturation exposure is incident.

## High-speed mode

Parameter	Symbol	Gain	Min.	Typ.	Max.	Unit
Offset variation <sup>*14</sup>	VSNU	1	-	3	18	mV
			-	2.4	14.4	DN
		8	-	7.5	45	mV
			-	6	36	DN
Dark output <sup>*15</sup>	VD	1	-	0.5	20	mV
			-	0.4	16	DN
		8	-	4	160	mV
			-	3.2	128	DN
Photosensitivity <sup>*16</sup>	Sw	1	-	45	-	V/(lx·s)
			-	36k	-	DN/(lx·s)
		8	-	360	-	V/(lx·s)
			-	290k	-	DN/(lx·s)
Conversion efficiency	CE	1	-	42	-	μV/e <sup>-</sup>
			-	33	-	mDN/e <sup>-</sup>
		8	-	340	-	μV/e <sup>-</sup>
			-	270	-	mDN/e <sup>-</sup>
Saturation output	Vsat	-	1.2	1.25	-	V
			975	1000	-	DN
Readout noise <sup>*17</sup>	Nread	1	-	0.63	1.9	mV-rms
			-	0.5	1.5	DN-rms
		8	-	1.5	4.5	mV-rms
			-	1.2	3.6	DN-rms
Dynamic range <sup>*18</sup>	Drange	1	670	2000	-	-
		8	260	800	-	

Low-speed mode

Parameter	Symbol	Gain	Min.	Typ.	Max.	Unit
Offset variation*14	VSNU	1	-	3	18	mV
			-	9.6	57.6	DN
		8	-	7.5	45	mV
			-	24	144	DN
Dark output*15	VD	1	-	0.5	20	mV
			-	1.6	64	DN
		8	-	4	160	mV
			-	12.8	512	DN
Photosensitivity*16	Sw	1	-	45	-	V/(lx·s)
			-	140k	-	DN/(lx·s)
		8	-	360	-	V/(lx·s)
			-	1200k	-	DN/(lx·s)
Conversion efficiency	CE	1	-	42	-	μV/e <sup>-</sup>
			-	130	-	mDN/e <sup>-</sup>
		8	-	340	-	μV/e <sup>-</sup>
			-	1100	-	mDN/e <sup>-</sup>
Saturation output	Vsat	-	1.2	1.25	-	V
			3900	4000	-	DN
Readout noise*17	Nread	1	-	0.38	1.1	mV-rms
			-	1.2	3.6	DN-rms
		8	-	1.6	4.7	mV-rms
			-	5	15	DN-rms
Dynamic range*18	Drange	1	1100	3300	-	-
		8	260	800	-	-

\*14: Measured in the dark state. Difference between the maximum and minimum.

\*15: Ts=10 ms, voltage difference from the offset output level

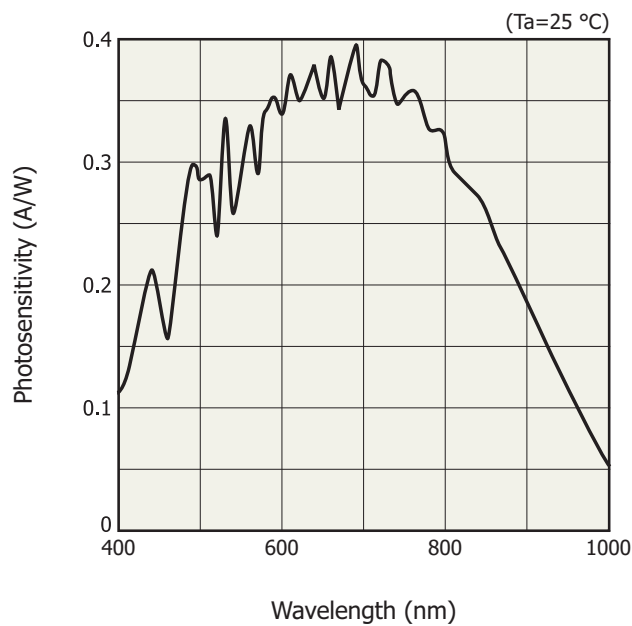
\*16: 2856 K, tungsten lamp

\*17: Dark state

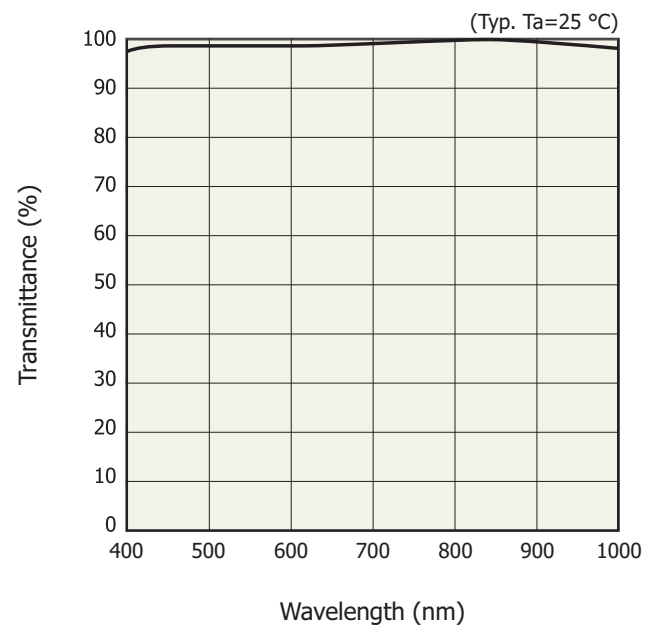
\*18: Vsat/Nread

Note: DN (digital number): unit of A/D converter output

▣ Spectral response (typical example)

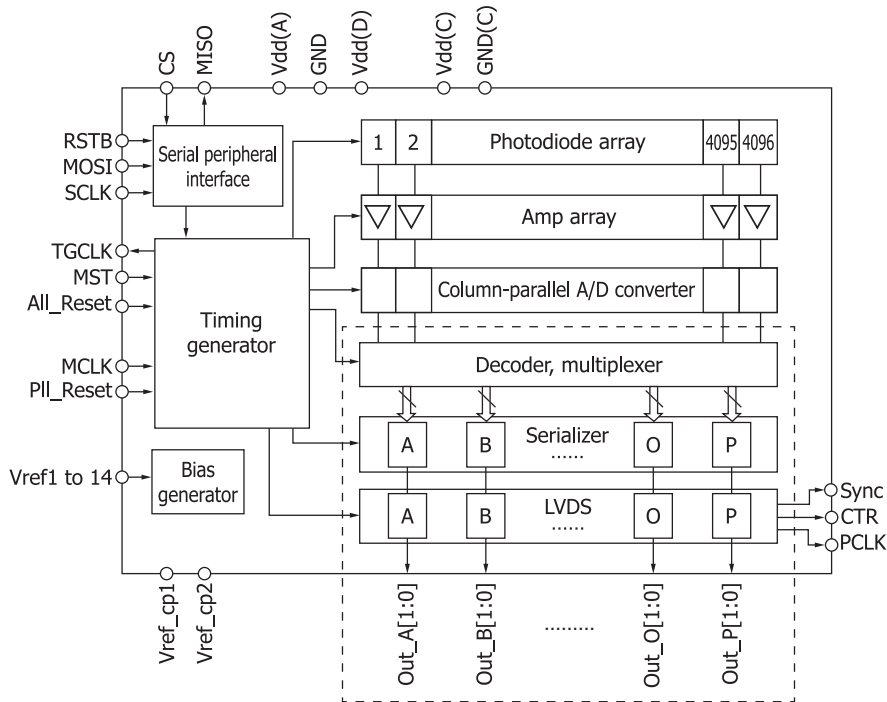


▣ Spectral transmittance characteristics of window material



**Block diagram**

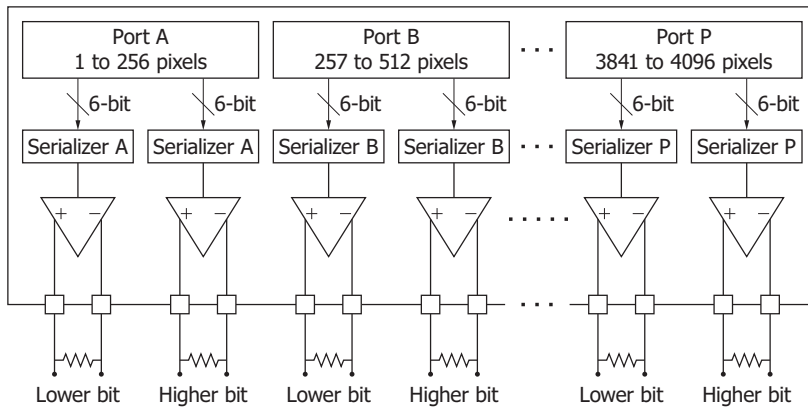
The video output signal is divided and output through 16 ports (A through P). Each port outputs 256 pixels of data (pixel numbers output from each port: A=1 to 256, B=257 to 512, ... P=3841 to 4096).



KMPDC0637EC

■ Enlarged view of video output (full output mode)

Output for each port divides data into LVDS (lower bits and higher bits) pairs.

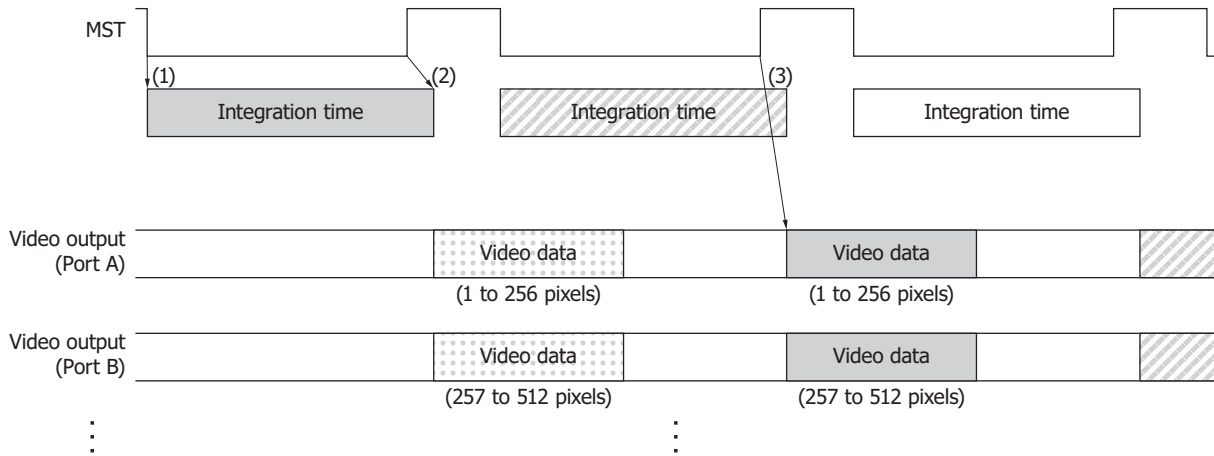


KMPDC0715EA

**Timing chart**

■ Description of operation

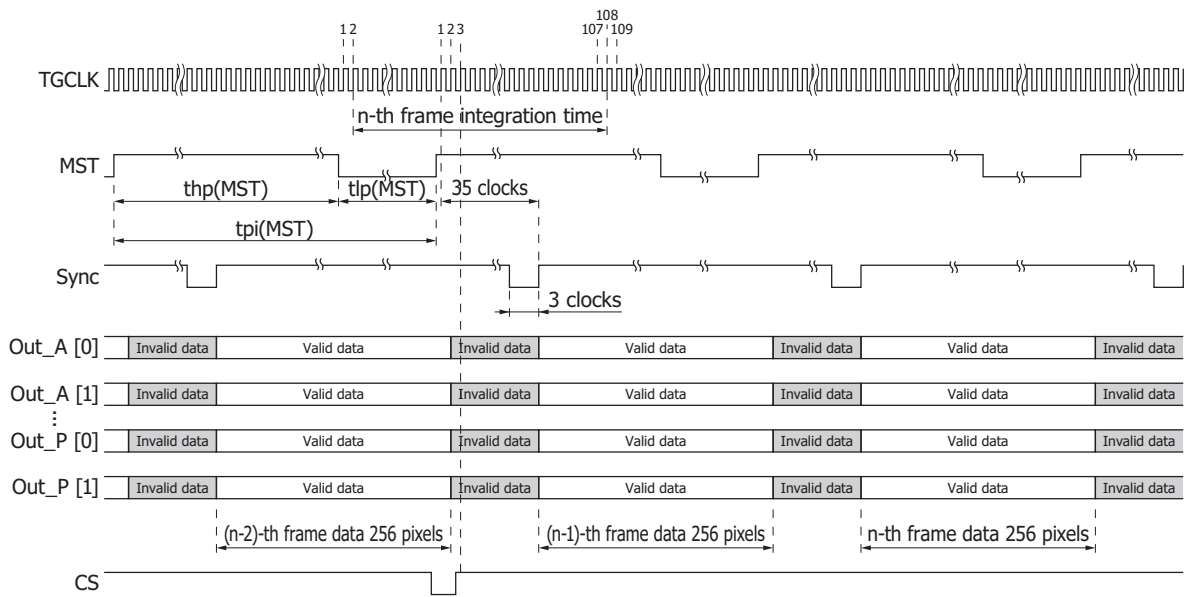
The integration time is determined by the low period of the start pulse.



KMPDC0716EA

- (1) The start of integration time is determined by the falling edge of the master start pulse.
- (2) The end of integration time is determined by the rising edge of the master start pulse.
- (3) Video data is output after the rising edge of the next master start pulse cycle. Video data is output in order from the first pixel. (256 pixels of data are output for each port.)

\* Signal integration is possible even during video output.



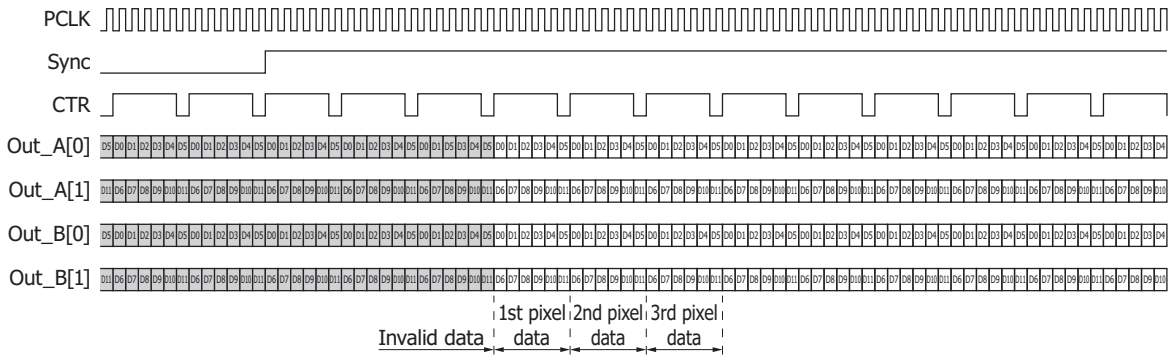
KMPDC0660EA

- Line rate equals the reciprocal of master start pulse interval.
- TGCLK is a timing generator clock inside the sensor. TGCLK is the same frequency as that of MCLK in high-speed mode, and the 1/4 in low-speed mode.
- The integration time equals the low period of master start pulse plus 106 clock cycles of TGCLK.
- SPI set within 3 TGCLK clocks after the rising edge of the master start pulse is updated starting from the nth frame data.
- In 1/4 output mode, only the following outputs are valid.  
Out\_A[0], Out\_C[0], Out\_E[0], Out\_G[0], Out\_I[0], Out\_K[0], Out\_M[0] and Out\_O[0]



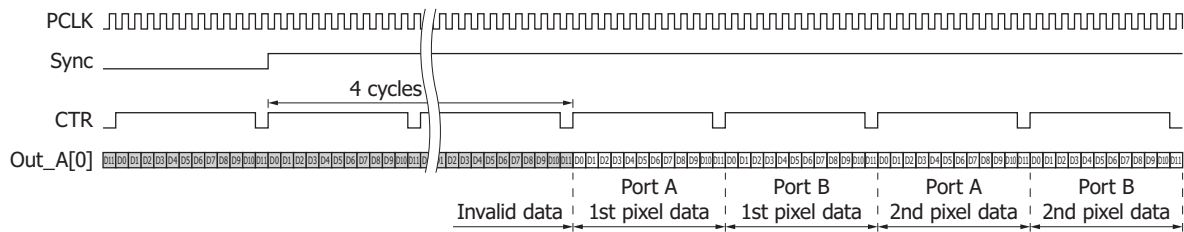
ex.: Port A, B

■ Full output mode



KMPDC0661EA

■ 1/4 output mode

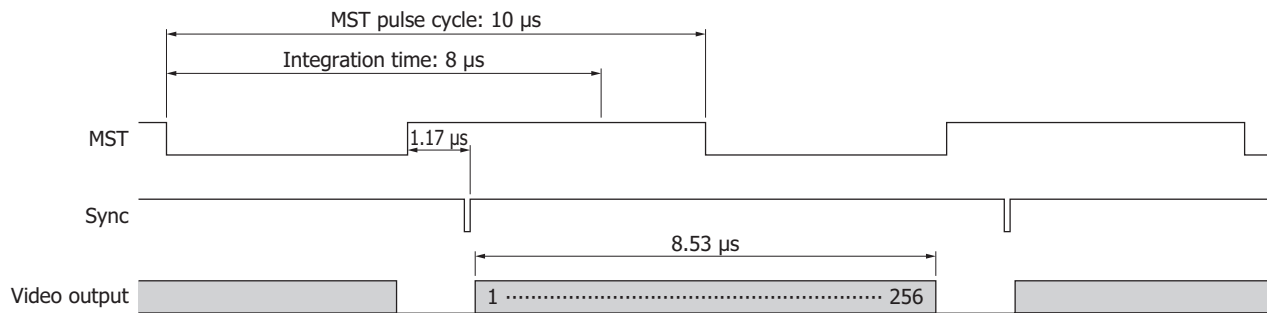


KMPDC0662EA

■ Operation example

■ Example 1

Line rate = 100 kline/s, master clock pulse frequency = 30 MHz, high-speed mode, full output mode, integration time max.



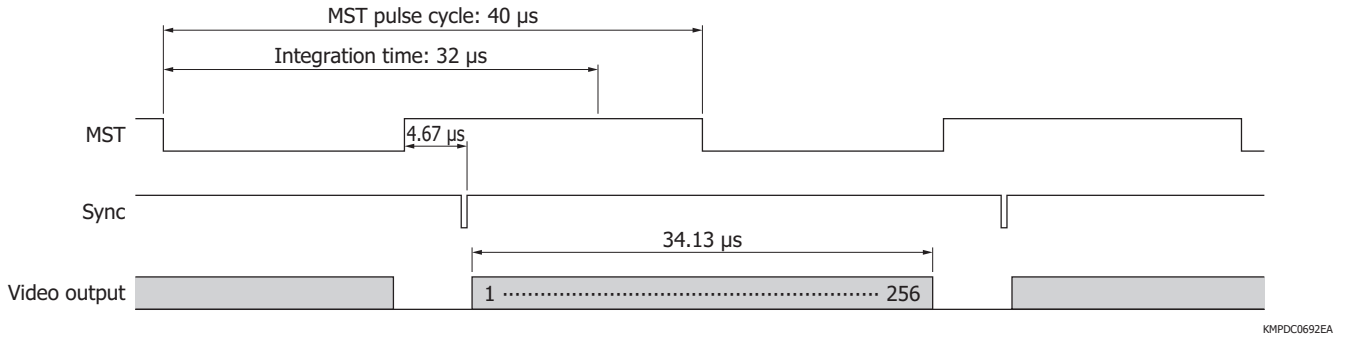
KMPDC0691EA

- Master start pulse cycle =  $300/f(\text{MCLK}) = 10 \mu\text{s}$  (equals the reciprocal of start pulse interval.)
- Master start pulse's low period = Master start pulse cycle – Master start pulse's High period min.  
 $= 300/f(\text{MCLK}) - 166/f(\text{MCLK}) = 300/30 \text{ MHz} - 166/30 \text{ MHz} = 134/30 \text{ MHz} = 4.47 \mu\text{s}$
- Integration time = master start pulse low period + 106 cycles of master clock pulses  
 $= (134 + 106)/30\text{MHz} = 8 \mu\text{s}$

Sync rises about 1.17 μs after the rising edge of the master start pulse. Then the video output signal is output in order from the first pixel (256 pixels is output from each port).

■ Example 2:

Line rate = 25kline/s, master clock pulse frequency = 30MHz, low-speed mode, 1/4 output mode, integration time max.



- Master start pulse cycle =  $1200/f(\text{MCLK}) = 40 \mu\text{s}$  (equals the reciprocal of start pulse interval.)
- Master start pulse's low period = Master start pulse cycle – Master start pulse's High period min.  
 $= 1200/f(\text{MCLK}) - 664/f(\text{MCLK}) = 1200/30 \text{ MHz} - 664/30 \text{ MHz} = 536/30 \text{ MHz} = 17.87 \mu\text{s}$
- Integration time = master start pulse low period + 424 cycles of master clock pulses  
 $= (536 + 424)/30 \text{ MHz} = 32 \mu\text{s}$

Sync rises approximately 4.67 μs after the rising edge of the master start pulse. Then the video output signal is output in order from the first pixel (256 pixels is output from each port).

## ■ SPI address setting

Address (Decimal)	Register	Default value		Setting
		Binary	Decimal	
0	Mode[1:0]	---- --00	0	Mode[0] high-speed/low-speed mode (default: high-speed mode) Mode[1] number of video output terminal (default: full output mode)
19	pclk_delay[5:0]	--00 0000	0	pclk timing (default: pclk-delay [5:0]=0)
20	AGC[4:0]	---1 0000	16	Gain (default: gain=1)
21	Offset[11:8]	---- 0000	31	Output offset (default: 31)
22	Offset[7:0]	0001 1111		

Note) Always set the addresses shown in the above table. The image sensor may malfunction if any other address is set.

### ■ High-speed/low-speed mode

Maximum line rate is selectable from following 2 modes:

It is set to High-speed mode when Mode[0] is 0 (Low), Low-speed mode when Mode[0] is 1 (High).

- High-speed mode (Mode[0]=0): Maximum line rate = 100 klines/s, A/D converter resolution = 10-bit  
(From offset output to saturation output is approximately 1024 DN.)
- Low-speed mode (Mode[0]=1): Maximum line rate = 25 klines/s, A/D converter resolution = 12-bit

### ■ Number of video output terminal

The number of video output terminal is selectable from following 2 modes:

- Full output mode (Mode[1]=0): Video output=64 terminals (32 LVDS pairs)
- 1/4 output mode (Mode[1]=1): Video output=16 terminals (8 LVDS pairs)

\* To make the line rate faster than 25 klines/s, do not use 1/4 output mode.

Note) Refer to [timing chart (P.9)] in detail.

### ■ pclk timing

The pclk output timing can be delayed inside the sensor. Set pclk\_delay[5:0] between 0 and 63.

When pclk\_delay[5:0] is increased by 1, the pclk output is delayed by approximately 0.15 ns.

### ■ Gain setting

The sensor may not operate properly if a setting not in the following table is specified. Specify a setting shown in the table.

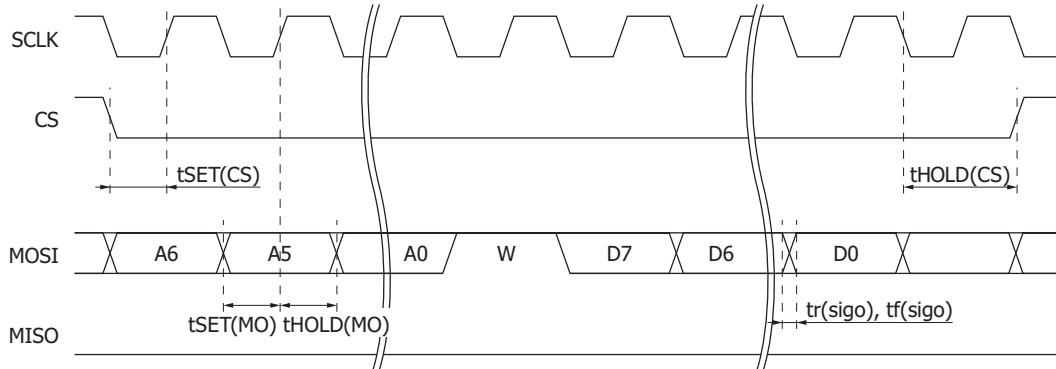
Decimal	AGC[4:0]					Gain	Description
	[4]	[3]	[2]	[1]	[0]		
0	0	0	0	0	0	20	
1	0	0	0	0	1	10	
2	0	0	0	1	0	8	
4	0	0	1	0	0	4	
8	0	1	0	0	0	2	
16	1	0	0	0	0	1	Default setting

### ■ Output offset setting

Set Offset[11:0] between 0 and 1023. When Offset[11:0] is increased by 1, the offset value increases by 1 DN. Due to the variations in each chip, the actual offset value will be slightly off from the specified value. Set offset[11:10] to 0.

**SPI setting**

Set the SPI using SCLK, CS, and MOSI. Setting RSTB to low level resets all parameters.



KMPDC0693EA

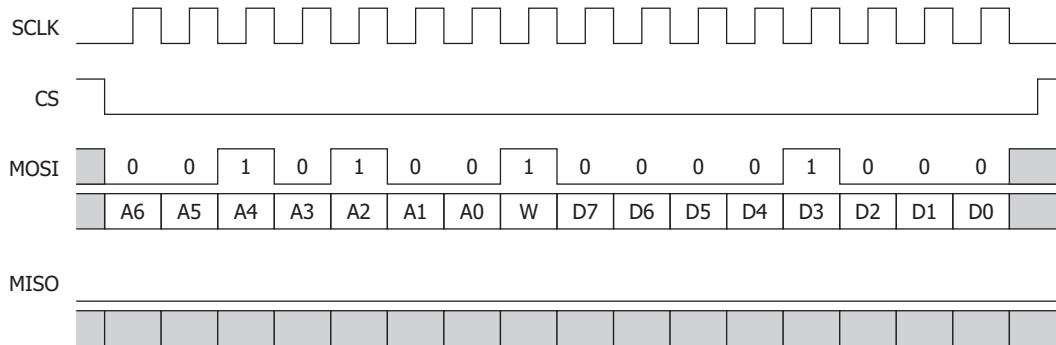
[ $T_a=25\text{ }^\circ\text{C}$ ,  $V_{dd}(A)=V_{dd}(D)=3.3\text{ V}$ ,  $f(MCLK)=30\text{ MHz}$ ,  $LR=100\text{ klines/s}$ ]

Item	Symbol	Min.	Typ.	Max.	Unit
SPI clock pulse frequency	$f(SCLK)$	-	7.5	10	MHz
SPI setup time (CS)	$t_{SET}(CS)$	7	-	-	ns
SPI hold time (CS)	$t_{HOLD}(CS)$	7	-	-	ns
SPI setup time (MOSI)	$t_{SET}(MO)$	7	-	-	ns
SPI hold time (MOSI)	$t_{HOLD}(MO)$	7	-	-	ns
Digital input signal rise time*19	$t_r(sigi)$	-	5	7	ns
Digital input signal fall time*19	$t_f(sigi)$	-	5	7	ns

\*19: The time for input voltage to rise or fall between 10% and 90%

■ Example of SPI setting

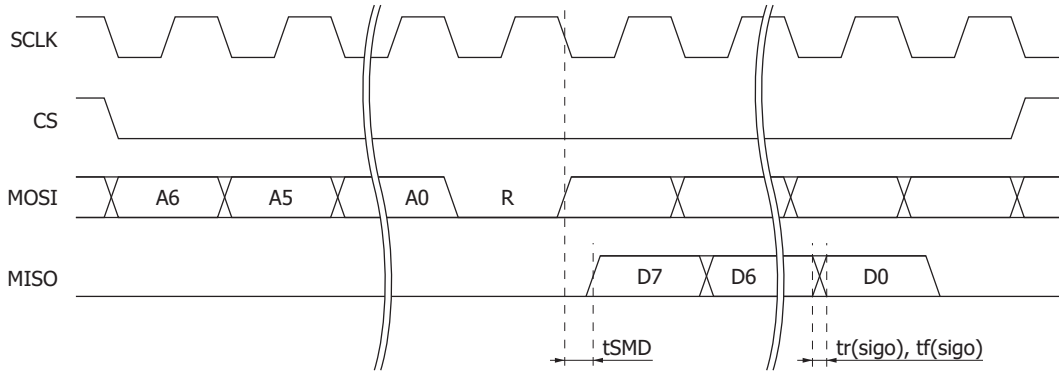
Writing AGC [4:0]=8 (setting gain to 2 times)



KMPDC0694EA

**Checking the SPI setting**

You can check the current SPI setting in the following manner.



KMPDC0695EA

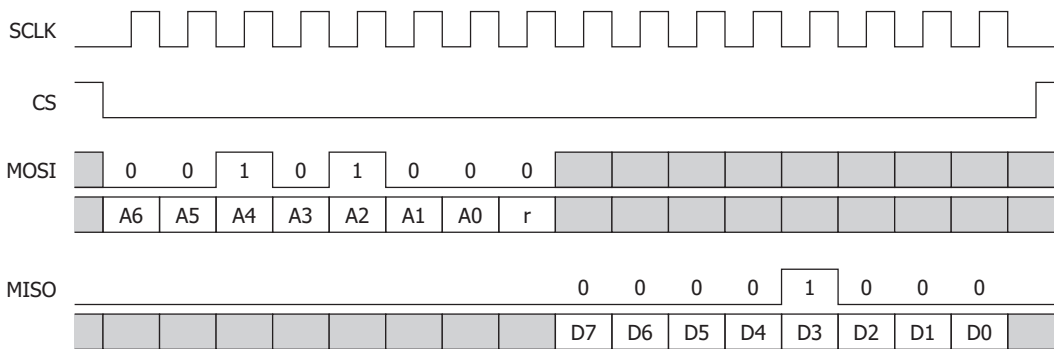
[Ta=25 °C, Vdd(A)=Vdd(D)=3.3 V, f(MCLK)=30 MHz, LR=100 klines/s]

Item	Symbol	Min.	Typ.	Max.	Unit
Output signal rise time*20	tr(sigo)	-	10	12	ns
Output signal fall time*20	tf(sigo)	-	10	12	ns
SCLK-MISO delay time	tSMD	-	-	25	ns

\*20: Time for the output voltage to rise or fall between 10% and 90% when the load capacitance of the output terminal is 10 pF

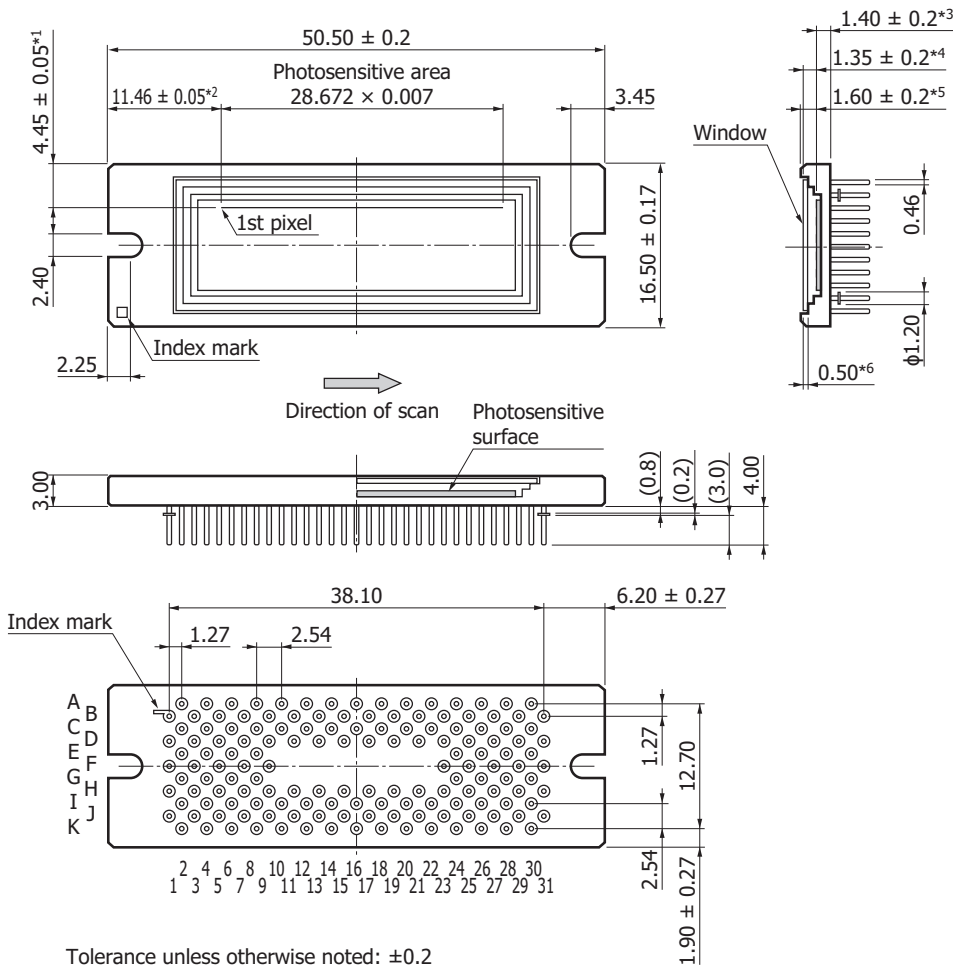
■ Example of checking the SPI setting

Confirms AGC [4:0]=8 (gain=2 times)



KMPDC0695EA

**Dimensional outline (unit: mm)**



Tolerance unless otherwise noted:  $\pm 0.2$

- \*1: Distance from package edge to photosensitive area center
- \*2: Distance from package edge to photosensitive area edge
- \*3: Distance from package bottom to photosensitive area
- \*4: Distance from glass surface to photosensitive surface
- \*5: Distance from package top to photosensitive surface
- \*6: Glass thickness

KMPDA0572EA

## Pin connections

Pin no.	Symbol	Function	I/O	Pin no.	Symbol	Function	I/O
A2	Out_An[0]	Video output signal (LVDS)	O	D23	Vref6	Bias voltage*21	O
A4	Out_An[1]	Video output signal (LVDS)	O	D25	Syncp	Frame sync signal (LVDS)	O
A6	Out_Cn[0]	Video output signal (LVDS)	O	D27	MST	Master start signal (single end)	I
A8	Out_Cn[1]	Video output signal (LVDS)	O	D29	GND(C)	Ground	-
A10	Out_En[0]	Video output signal (LVDS)	O	D31	Vdd(C)	Supply voltage (3.3 V)	I
A12	Out_En[1]	Video output signal (LVDS)	O	E2	Vdd(D)	Supply voltage (3.3 V)	I
A14	Out_Gn[0]	Video output signal (LVDS)	O	E4	GND	Ground	-
A16	Out_Gn[1]	Video output signal (LVDS)	O	E6	PII_Reset	PII circuit reset (single end)	I
A18	Out_In[0]	Video output signal (LVDS)	O	E8	CS	SPI selection signal (single end)	I
A20	Out_In[1]	Video output signal (LVDS)	O	E24	NC	No connection	-
A22	Out_Kn[0]	Video output signal (LVDS)	O	E26	All_Reset	Timing generator reset (single end)	I
A24	Out_Kn[1]	Video output signal (LVDS)	O	E28	GND(C)	Ground	-
A26	Out_Mn[0]	Video output signal (LVDS)	O	E30	Vdd(C)	Supply voltage (3.3 V)	I
A28	Out_Mn[1]	Video output signal (LVDS)	O	F1	Vdd(D)	Supply voltage (3.3 V)	I
A30	Out_On[0]	Video output signal (LVDS)	O	F3	GND	Ground	-
B1	Out_Ap[0]	Video output signal (LVDS)	O	F5	SCLK	SPI clock signal (single end)	I
B3	Out_Ap[1]	Video output signal (LVDS)	O	F7	MOSI	SPI input signal (single end)	I
B5	Out_Cp[0]	Video output signal (LVDS)	O	F9	RSTB	SPI reset signal (single end)	I
B7	Out_Cp[1]	Video output signal (LVDS)	O	F23	NC	No connection	-
B9	Out_Ep[0]	Video output signal (LVDS)	O	F25	NC	No connection	-
B11	Out_Ep[1]	Video output signal (LVDS)	O	F27	NC	No connection	-
B13	Out_Gp[0]	Video output signal (LVDS)	O	F29	GND(C)	Ground	-
B15	Out_Gp[1]	Video output signal (LVDS)	O	F31	Vdd(C)	Supply voltage (3.3 V)	I
B17	Out_Ip[0]	Video output signal (LVDS)	O	G2	Vdd(D)	Supply voltage (3.3 V)	I
B19	Out_Ip[1]	Video output signal (LVDS)	O	G4	GND	Ground	-
B21	Out_Kp[0]	Video output signal (LVDS)	O	G6	MISO	SPI output signal (single end)	O
B23	Out_Kp[1]	Video output signal (LVDS)	O	G8	TGCLK	Timing generator clock signal (single end)	O
B25	Out_Mp[0]	Video output signal (LVDS)	O	G24	NC	No connection	-
B27	Out_Mp[1]	Video output signal (LVDS)	O	G26	NC	No connection	-
B29	Out_Op[0]	Video output signal (LVDS)	O	G28	GND(C)	Ground	-
B31	Out_Op[1]	Video output signal (LVDS)	O	G30	Vdd(C)	Supply voltage (3.3 V)	I
C2	Vdd(D)	Supply voltage (3.3 V)	I	H1	Vdd(D)	Supply voltage (3.3 V)	I
C4	GND	Ground	-	H3	GND	Ground	-
C6	PCLKn	Bit output sync signal (LVDS)	O	H5	NC	No connection	-
C8	CTRn	Pixel sync signal (LVDS)	O	H7	NC	No connection	-
C10	NC	No connection	-	H9	Vref7	Bias voltage*21	O
C12	NC	No connection	-	H11	Vref8	Bias voltage*21	O
C14	NC	No connection	-	H13	Vref9	Bias voltage*21	O
C16	NC	No connection	-	H15	Vref10	Bias voltage*21	O
C18	NC	No connection	-	H17	Vref11	Bias voltage*21	O
C20	NC	No connection	-	H19	Vref12	Bias voltage*21	O
C22	NC	No connection	-	H21	Vref13	Bias voltage*21	O
C24	NC	No connection	-	H23	Vref14	Bias voltage*21	O
C26	Syncn	Frame sync signal (LVDS)	O	H25	NC	No connection	-
C28	MCLK	Master clock signal (single end)	I	H27	NC	No connection	-
C30	Out_On[1]	Video output signal (LVDS)	O	H29	GND(C)	Ground	-
D1	Vdd(D)	Supply voltage (3.3 V)	I	H31	Vdd(C)	Supply voltage (3.3 V)	I
D3	GND	Ground	-	I2	Vdd(D)	Supply voltage (3.3 V)	I
D5	PCLKp	Bit output sync signal (LVDS)	O	I4	GND	Ground	-
D7	CTRp	Pixel sync signal (LVDS)	O	I6	NC	No connection	-
D9	Vref_cp1	Bias voltage for charge pump circuit (5.5 V)*21	O	I8	NC	No connection	-
D11	Vref_cp2	Bias voltage for charge pump circuit (-1.5 V)*21	O	I10	Vdd(A)	Supply voltage (3.3 V)	I
D13	Vref1	Bias voltage*21	O	I12	GND	Ground	-
D15	Vref2	Bias voltage*21	O	I14	Vdd(A)	Supply voltage (3.3 V)	I
D17	Vref3	Bias voltage*21	O	I16	GND	Ground	-
D19	Vref4	Bias voltage*21	O	I18	Vdd(A)	Supply voltage (3.3 V)	I
D21	Vref5	Bias voltage*21	O	I20	GND	Ground	-

\*21: Insert a 1  $\mu$ F capacitor between each terminal and GND.

Note: Leave NC pins open; do not connect to GND.

Pin no.	Symbol	Function	I/O	Pin no.	Symbol	Function	I/O
I22	Vdd(A)	Supply voltage (3.3 V)	I	J27	Out_Np[1]	Video output signal (LVDS)	O
I24	GND	Ground	-	J29	Out_Pp[0]	Video output signal (LVDS)	O
I26	NC	No connection	-	J31	Out_Pp[1]	Video output signal (LVDS)	O
I28	NC	No connection	-	K2	Out_Bn[0]	Video output signal (LVDS)	O
I30	Out_Pn[1]	Video output signal (LVDS)	O	K4	Out_Bn[1]	Video output signal (LVDS)	O
J1	Out_Bp[0]	Video output signal (LVDS)	O	K6	Out_Dn[0]	Video output signal (LVDS)	O
J3	Out_Bp[1]	Video output signal (LVDS)	O	K8	Out_Dn[1]	Video output signal (LVDS)	O
J5	Out_Dp[0]	Video output signal (LVDS)	O	K10	Out_Fn[0]	Video output signal (LVDS)	O
J7	Out_Dp[1]	Video output signal (LVDS)	O	K12	Out_Fn[1]	Video output signal (LVDS)	O
J9	Out_Fp[0]	Video output signal (LVDS)	O	K14	Out_Hn[0]	Video output signal (LVDS)	O
J11	Out_Fp[1]	Video output signal (LVDS)	O	K16	Out_Hn[1]	Video output signal (LVDS)	O
J13	Out_Hp[0]	Video output signal (LVDS)	O	K18	Out_Jn[0]	Video output signal (LVDS)	O
J15	Out_Hp[1]	Video output signal (LVDS)	O	K20	Out_Jn[1]	Video output signal (LVDS)	O
J17	Out_Jp[0]	Video output signal (LVDS)	O	K22	Out_Ln[0]	Video output signal (LVDS)	O
J19	Out_Jp[1]	Video output signal (LVDS)	O	K24	Out_Ln[1]	Video output signal (LVDS)	O
J21	Out_Lp[0]	Video output signal (LVDS)	O	K26	Out_Nn[0]	Video output signal (LVDS)	O
J23	Out_Lp[1]	Video output signal (LVDS)	O	K28	Out_Nn[1]	Video output signal (LVDS)	O
J25	Out_Np[0]	Video output signal (LVDS)	O	K30	Out_Pn[0]	Video output signal (LVDS)	O

Note: The video output symbol is defined as follows:

Out\_An[0]

[0]: lower (0 to 5) bits, [1]: higher (6 to 11) bits

p: positive input of the differential pair, n: negative input of the differential pair

A to P: output ports

## Recommended soldering conditions

Parameter	Specification	Remarks
Solder temperature	260 °C max. (5 s or less)	

Note: When setting the soldering conditions, check for any problems by testing out the soldering methods in advance.

## Precautions

### (1) Electrostatic countermeasures

This device has a built-in protection circuit against static electrical charges. However, to prevent destroying the device with electrostatic charges, take countermeasures such as grounding yourself, the workbench and tools. Also protect this device from surge voltages which might be caused by peripheral equipment.

### (2) Light input window

If dust or stain adheres to the surface of the light input window glass, it will appear as black spots on the image. When cleaning, avoid rubbing the window surface with dry cloth, dry cotton swab or the like, since doing so may generate static electricity. Use soft cloth, paper, a cotton swab, or the like moistened with alcohol to wipe off dust and stain. Then blow compressed air so that no stain remains.

### (3) UV light irradiation

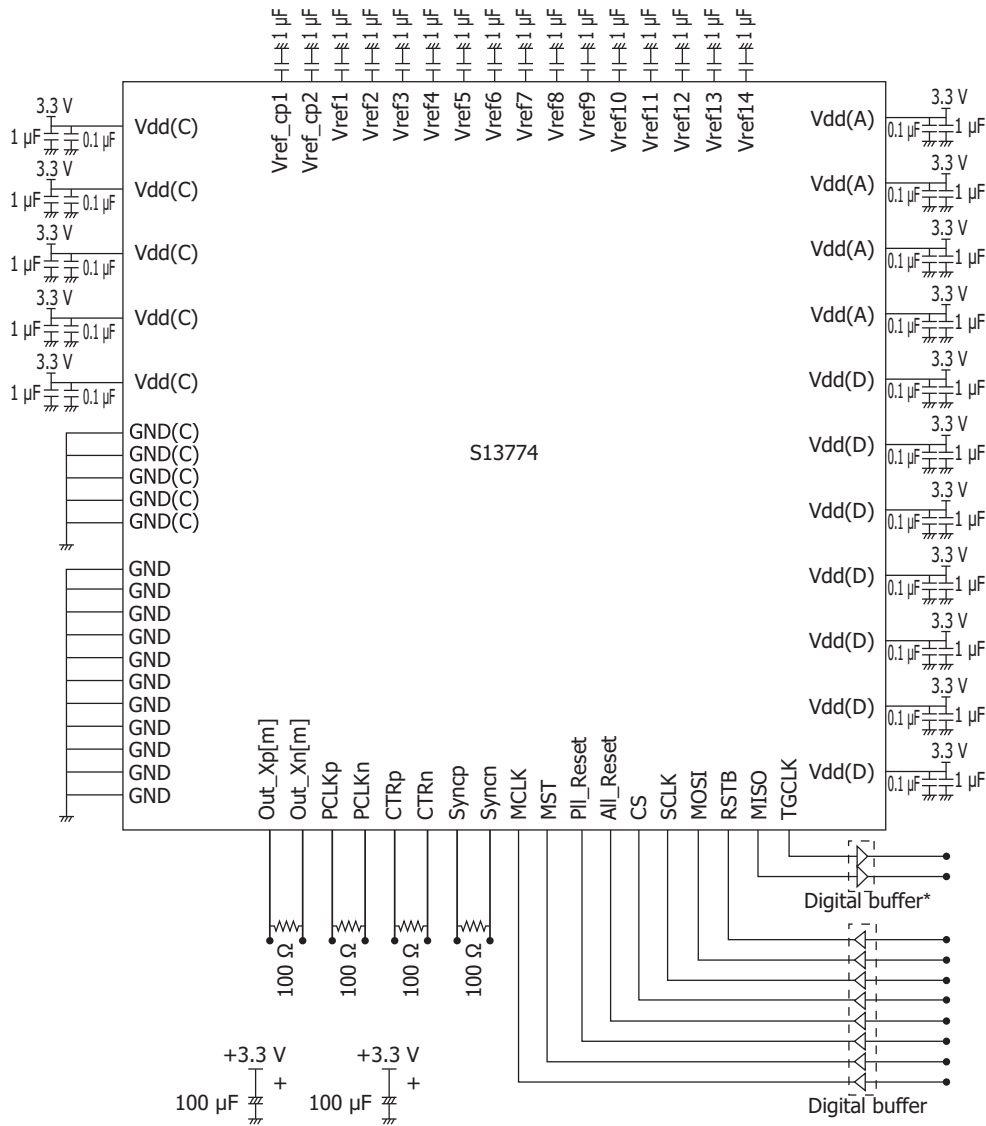
Because this product is not designed to resist characteristic deterioration under UV light irradiation, do not apply UV light irradiation to it.

### (4) Fixing the product in place

When using screws to fix the product in place, use M2 screws. Set the tightening torque to 0.08 N·m or less.



Connection circuit example



Connect GND and GND(C) with a single point.  
 \* Digital buffer is not necessary if MISO or TGCLK is not used.

KMPDC0638EB

## Related information

[www.hamamatsu.com/sp/ssd/doc\\_en.html](http://www.hamamatsu.com/sp/ssd/doc_en.html)

- Precautions
- Disclaimer
- Image sensors

Information described in this material is current as of January 2021.

Product specifications are subject to change without prior notice due to improvements or other reasons. This document has been carefully prepared and the information contained is believed to be accurate. In rare cases, however, there may be inaccuracies such as text errors. Before using these products, always contact us for the delivery specification sheet to check the latest specifications.

The product warranty is valid for one year after delivery and is limited to product repair or replacement for defects discovered and reported to us within that one year period. However, even if within the warranty period we accept absolutely no liability for any loss caused by natural disasters or improper product use. Copying or reprinting the contents described in this material in whole or in part is prohibited without our prior permission.

# HAMAMATSU

[www.hamamatsu.com](http://www.hamamatsu.com)

HAMAMATSU PHOTONICS K.K., Solid State Division

1126-1 Ichino-cho, Higashi-ku, Hamamatsu City, 435-8558 Japan, Telephone: (81)53-434-3311, Fax: (81)53-434-5184

U.S.A.: Hamamatsu Corporation: 360 Foothill Road, Bridgewater, N.J. 08807, U.S.A., Telephone: (1)908-231-0960, Fax: (1)908-231-1218, E-mail: [usa@hamamatsu.com](mailto:usa@hamamatsu.com)

Germany: Hamamatsu Photonics Deutschland GmbH: Arzbergerstr. 10, D-82211 Herrsching am Ammersee, Germany, Telephone: (49)8152-375-0, Fax: (49)8152-265-8, E-mail: [info@hamamatsu.de](mailto:info@hamamatsu.de)

France: Hamamatsu Photonics France S.A.R.L.: 19, Rue du Saule Trapu, Parc du Moulin de Massy, 91882 Massy Cedex, France, Telephone: (33)1 69 53 71 00, Fax: (33)1 69 53 71 10, E-mail: [infos@hamamatsu.fr](mailto:infos@hamamatsu.fr)

United Kingdom: Hamamatsu Photonics UK Limited: 2 Howard Court, 10 Tewin Road, Welwyn Garden City, Hertfordshire AL7 1BW, UK, Telephone: (44)1707-294888, Fax: (44)1707-325777, E-mail: [info@hamamatsu.co.uk](mailto:info@hamamatsu.co.uk)

North Europe: Hamamatsu Photonics Norden AB: Torshamnsgatan 35 16440 Kista, Sweden, Telephone: (46)8-509 031 00, Fax: (46)8-509 031 01, E-mail: [info@hamamatsu.se](mailto:info@hamamatsu.se)

Italy: Hamamatsu Photonics Italia S.r.l.: Strada della Moia, 1 int. 6, 20020 Arese (Milano), Italy, Telephone: (39)02-93 58 17 33, Fax: (39)02-93 58 17 41, E-mail: [info@hamamatsu.it](mailto:info@hamamatsu.it)

China: Hamamatsu Photonics (China) Co., Ltd.: 1201 Tower B, Jiaming Center, 27 Dongsanhuan Beilu, Chaoyang District, 100020 Beijing, P.R.China, Telephone: (86)10-6586-6006, Fax: (86)10-6586-2866, E-mail: [hpc@hamamatsu.com.cn](mailto:hpc@hamamatsu.com.cn)

Taiwan: Hamamatsu Photonics Taiwan Co., Ltd.: 8F-3, No. 158, Section2, Gongdao 5th Road, East District, Hsinchu, 300, Taiwan R.O.C. Telephone: (886)3-659-0080, Fax: (886)3-659-0081, E-mail: [info@hamamatsu.com.tw](mailto:info@hamamatsu.com.tw)