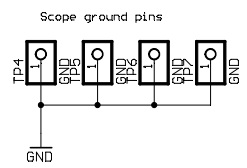
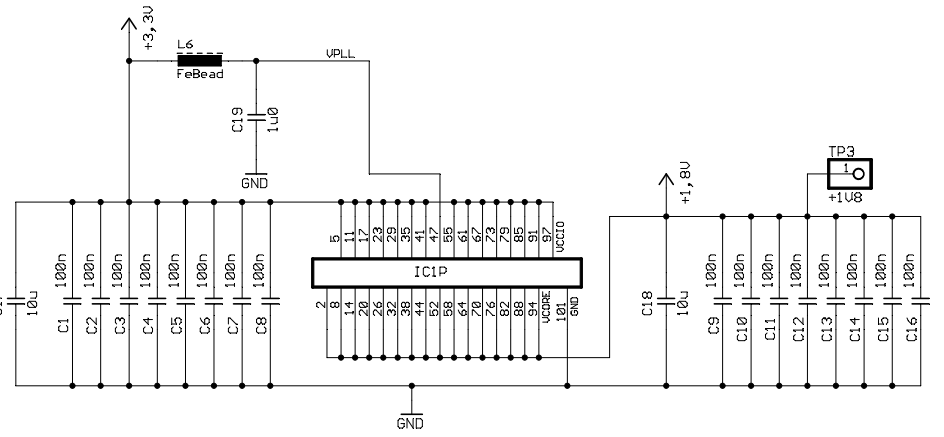
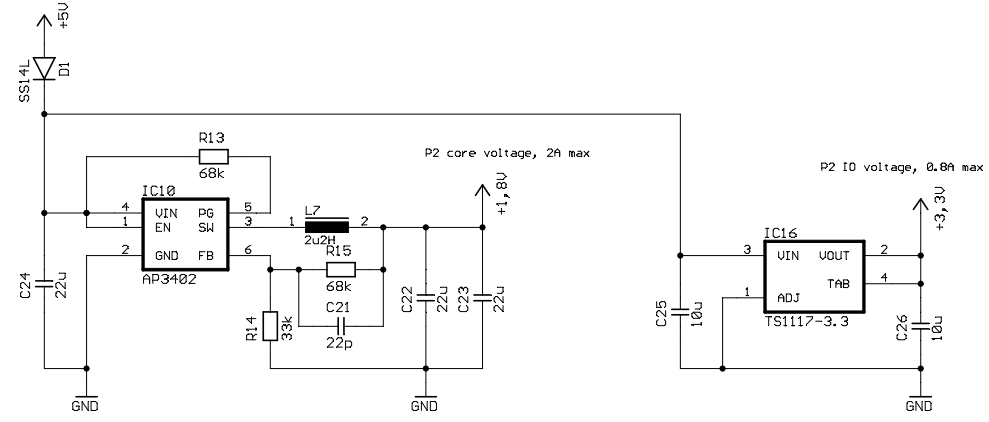
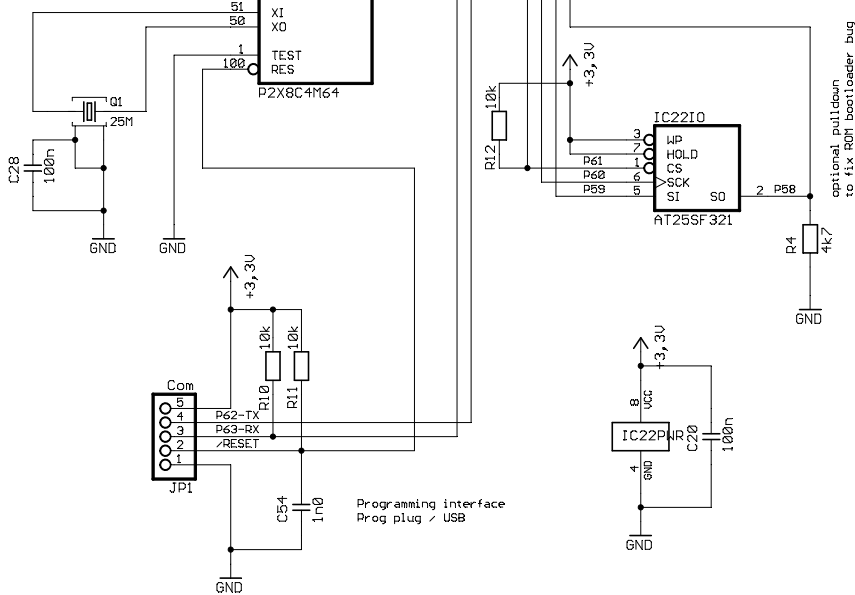
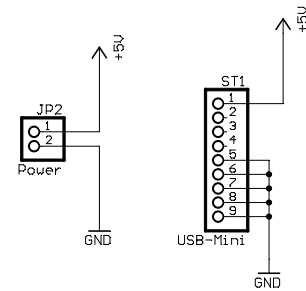
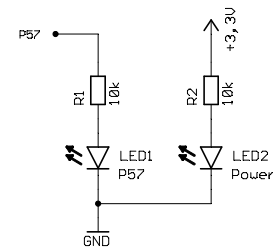
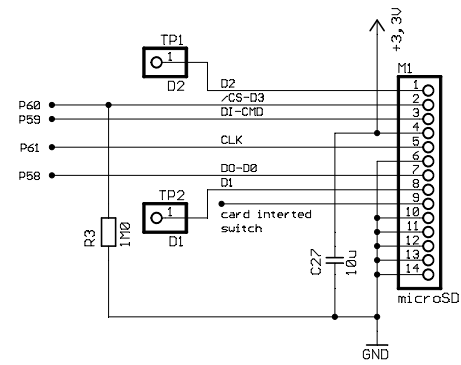
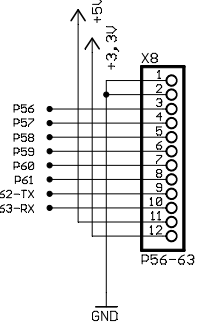
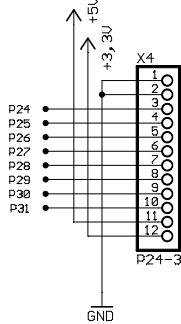
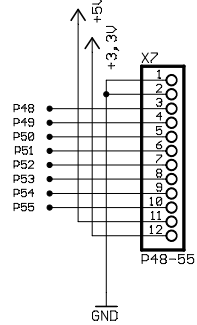
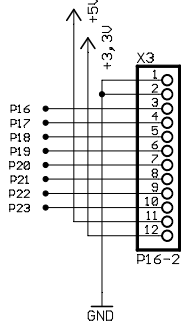
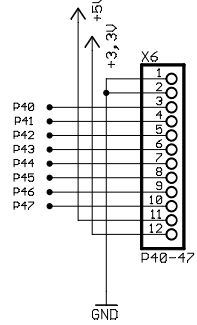
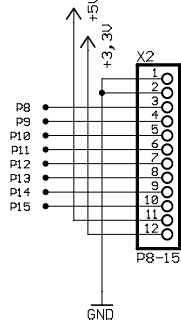
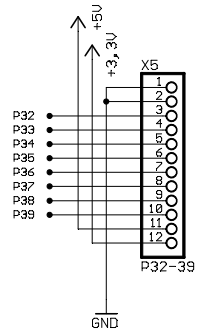
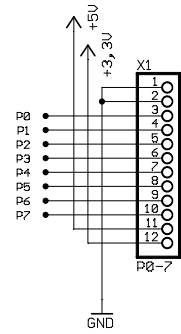


If oscillator is required instead of crystal cut ground trace and solder a bridge to next +3.3V via



Propeller2 Low cost Evaluation board KISS001 with SD card socket	
TITLE: P2-Kiss2	
Document Number:	REV:
Date: 28.08.2021 18:03:34	Sheet: 1/2



Propeller2 Low cost Evaluation board KISS001 with SD card socket	
TITLE: P2-Kiss2	
Document Number:	REV:
Date: 28.08.2021 18:03:34	Sheet: 2/2